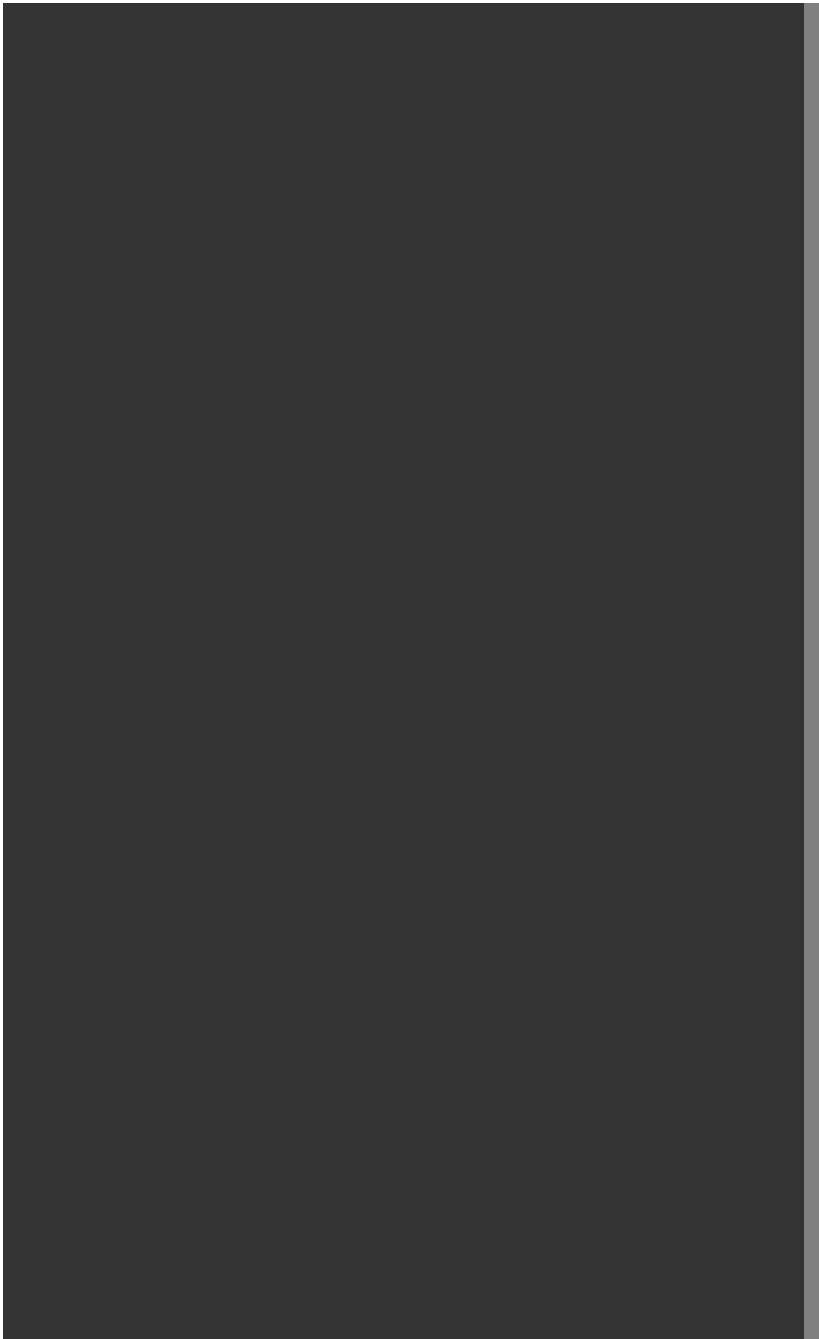


0CS10-G55700



P R E F A C E

1. This Parts Catalog carries Yanmar excavator (crawler back-hoe) VI080 for U. S. A. , Australia, New Zealand.

2. Parts catalog history

\		Parts catalog NO.	Published	Remarks
1st edition	Vehicle	OCS10-G55700	Jun. , 2010	
	Engine	OCB10-G76500		

3. Model name

SECTION	Column	Model name	M/#	Manufactured
I (Vehicle)	(A)	VI080 (US)		
	(B)	VI080 (AS)		
	(C)	VI080 (NZ)		
II (Engine)	(A)	4TNV98-ZWBV1		

(Note) US:U. S. A. , AS:Australia, NZ:New Zealand.

4. Your understanding is asking that this parts catalog is not a technical data manual setting forth as servicing procedures, This parts catalog is using simplified illustration.

Be sure to use Yanmar Genuine Parts in your maintenance servicing of Yanmar products. Be careful not to use the simple parts available in the market, otherwise their use in repairing causes such as an early breakage, for instance.

Directions for the Parts Catalog.

1. The parts stipulated in this Parts Catalog are not necessarily standard equipped parts.
2. Parts may change without prior notice.
3. The following is an example of the Parts Catalog format.

OCF10-G21601		29. FUEL INJECTION PUMP(W/BOOST)									
REF.	LEV.	PARTS NO.	DESCRIPTION	(A)	(B)	(C)	(D)	(E)	(F)	I	R
1	1	729595-51390	FUEL INJECTION PUMP	1	1	1	1	1			1
1-1	1	729595-51391	FUEL INJECTION PUMP	1	1	1	1	1		N	1
		(A=E00185) (B=E00200)									
3	2	26022-060162	SCREW M 6X 16	9	9	9	9	9			
3-1	2	26022-060162	SCREW M 6X 16	4	4	4	4	4		K	
		(A=E00156) (B=E00156) (C=E00156) (D=E00156) (E=E00156)									
4	2	129470-51040	CAMSHAFT	1	1	1	1	1			
5	2	122710-51050	BEARING, ROLLER	2	2	2	2	2			
6	2	129470-51060	RETAINER	1	1	1	1	1			

Remarks
(1) BOOST COMPEMSATOR TYPE. OPTIONAL PART, TO E00155,(4JH-DT, 4JH-DTZ

① Ref. No.

The Ref. No. listed may not be in accordance with the illustration Ref. No.

(Ex.) Illustration No.

List Ref No.

1

1

(Before change) → 1-1 (After change)

For interchangeable symbols N, R and K, illustrations for new parts may be abbreviated.

② Lev. (Level)

Level indication

The numbers below indicate the level of relativity towards the main part.

1 ----- Main parts (Assembly parts)

2 ----- Sub component included in " 1 ".

3 ----- Sub component included in " 2 ".

Note) Parts that are not for sale are partially illustrated but not listed.

③ Interchangeability Mark

When a part change takes place, one of the following interchangeability symbols is indicated beside the part.

Symbol	Interchangeability	Contents note
N	Old $\begin{matrix} \leftarrow \text{Yes} \\ \text{No} \rightarrow \end{matrix}$ New	New Part is interchangeable for Old Part but Old Part is not interchangeable for New Part.
Q	Old $\begin{matrix} \leftarrow \text{No} \\ \text{Yes} \rightarrow \end{matrix}$ New	New Part is not interchangeable for Old Part but Old Part is interchangeable for New Part.
R	Old $\begin{matrix} \leftarrow \text{Yes} \\ \text{Yes} \rightarrow \end{matrix}$ New	New/ Old Parts are both interchangeable.
S	Old $\begin{matrix} \leftarrow \text{No} \\ \text{No} \rightarrow \end{matrix}$ New	New/ Old Parts are both not interchangeable.
W		Part newly added.
Z		Part discontinued.
F		Not interchangeable by a single part but interchangeable together with related parts.
K		Changes only for used parts quantities.

④ Effective Machine No.

When a part changes, the effective Machine No. will be indicated in the (A)-(F) column.

Product Symbol	Product No.	Product Symbol	Product No.
C	Clutch No. Compressor No.	F	Machine No. (Agricultural Equip.)
D	Drive No.	M	Machine No.
E	Engine No.		

Note 1) A date may follow the symbol. (Ex.) 1996.01

Note 2) "XXXXX" and "ZZZZZ" are for parts that could not be predicted or for engine models that could not be identified.

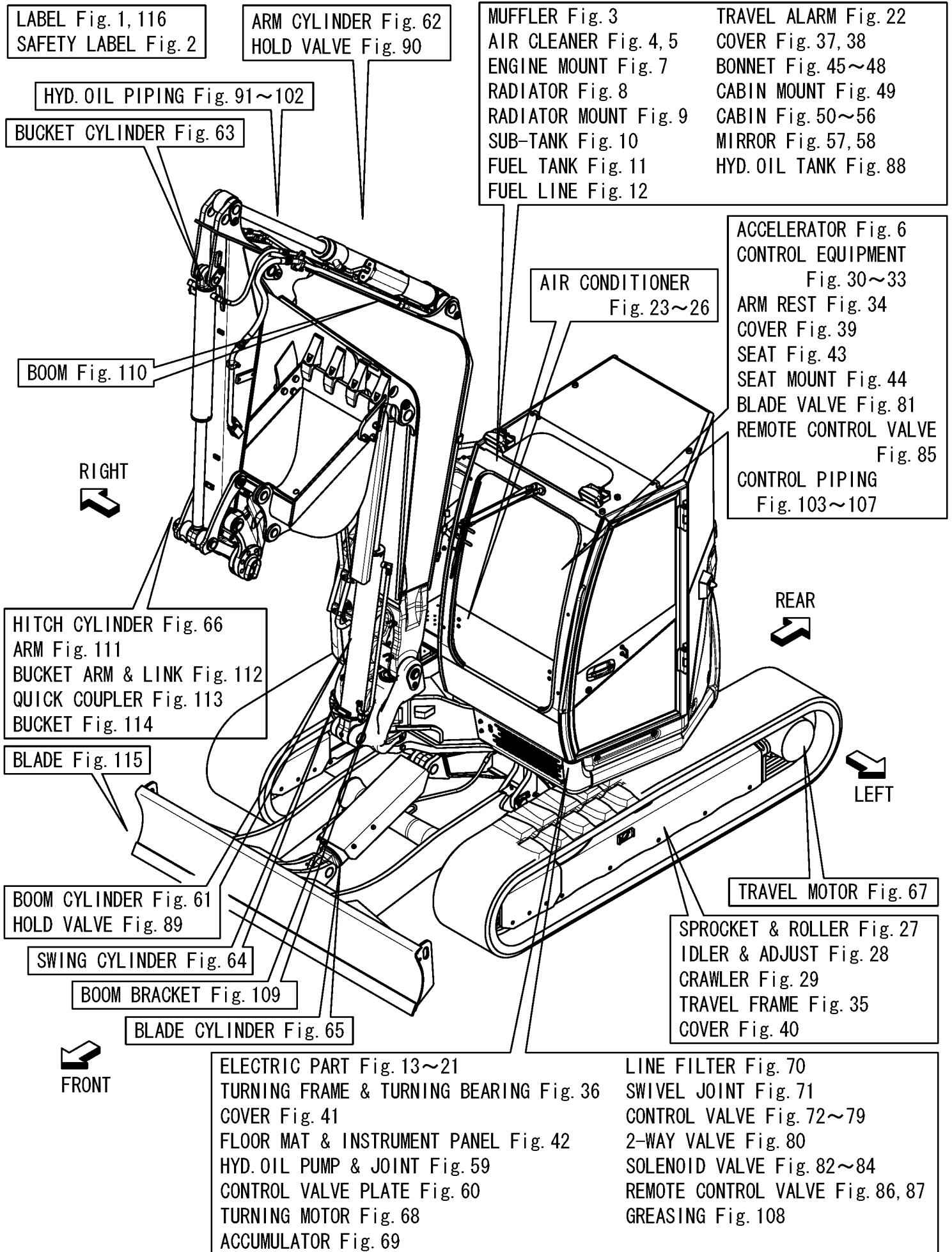
Note 3) (A=E00185) is the E (Engine Serial Number) for the column (A) model (in this case 4JH-DT) after the parts design change.

⑤ Remarks Mark

Figures or alphabets (symbols) are entered in the remarks column.

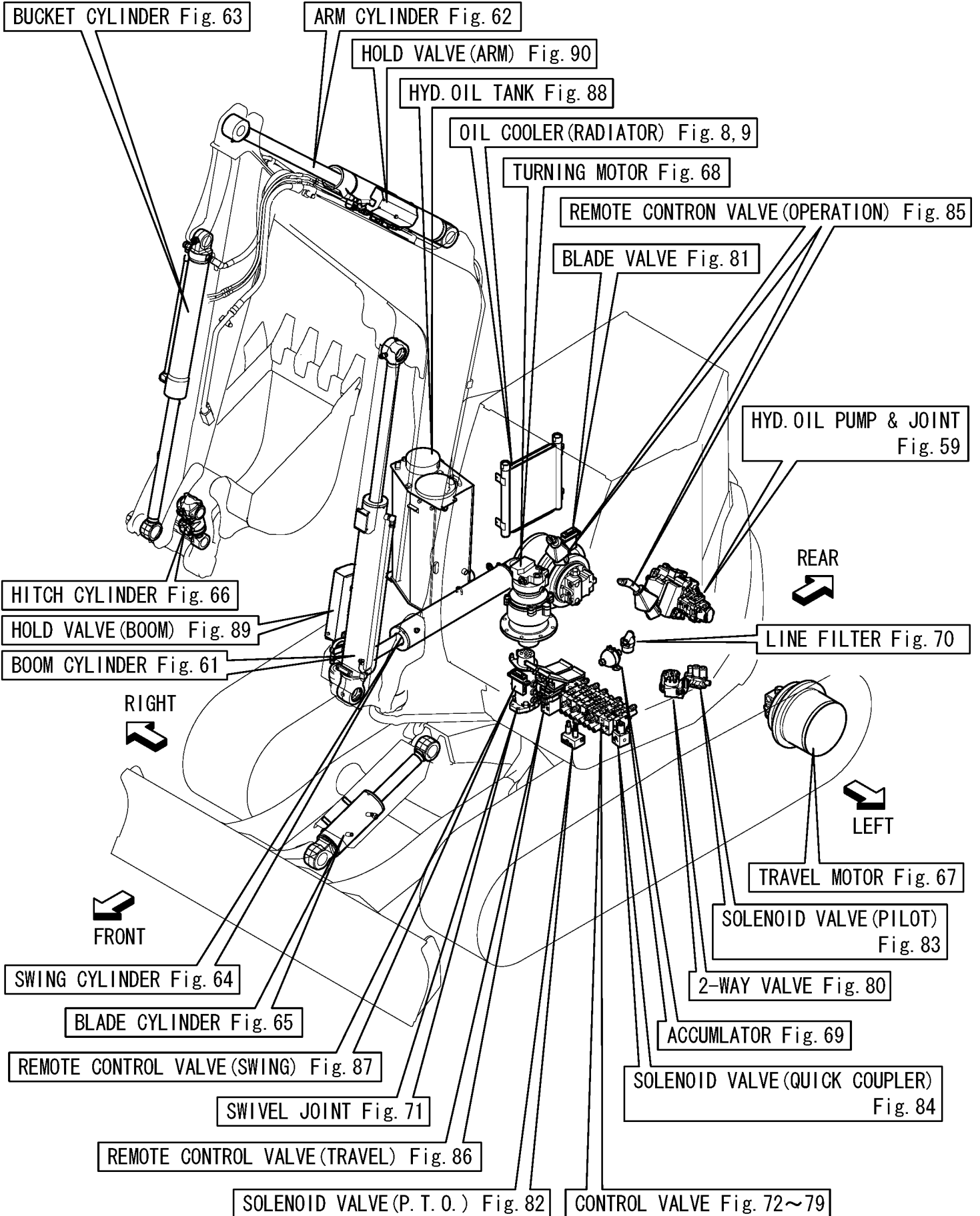
The comments (remarks) on parts that are indicated at the bottom of the illustration are the same symbols as those stated above.

PICTURESQUE INDEX (1) . . . MAIN PARTS



PICTURESQUE INDEX (2) · · · HYDRAULIC SECTION

HYD. OIL PIPING Fig. 91~102
CONTROL PIPING Fig. 103~107



CONTENTS

MODEL : VIO80(US,AS,NZ)

PC NO : 0CS10-G55700

Fig.No.	GROUP NAME
	VEHICLE VIO80(US,AS,NZ)
1.	LABEL
2.	SAFETY LABEL
3.	MUFFLER
4.	AIR CLEANER(AS,NZ)
5.	AIR CLEANER(US)
6.	ACCELERATOR
7.	ENGINE MOUNT
8.	RADIATOR
9.	RADIATOR MOUNT
10.	SUB-TANK
11.	FUEL TANK
12.	FUEL LINE
13.	ELECTRIC PART(ENGINE)
14.	ELECTRIC PART(CONTROL VALVE PLATE)
15.	ELECTRIC PART(BATTERY)
16.	ELECTRIC PART(STARTING SWITCH)
17.	ELECTRIC PART(AIR CONDITIONER)
18.	ELECTRIC PART(SWITCH BOX : QUICK COUPLER)
19.	ELECTRIC PART(SEAT MOUNT)
20.	ELECTRIC PART(WORK LAMP)
21.	ELECTRIC PART(INDICATOR BOX)
22.	TRAVEL ALARM
23.	AIR CONDITIONER(CABIN RELATED)
24.	AIR CONDITIONER(PIPING)
25.	AIR CONDITIONER(ENGINE RELATED)
26.	AIR CONDITIONER(CONDENSER RELATED)
27.	SPROCKET & ROLLER
28.	IDLER & ADJUST
29.	CRAWLER

Fig.No.	GROUP NAME
30.	CONTROL EQUIPMENT(LOCK LEVER & LEVER STAND)
31.	CONTROL EQUIPMENT(TRAVEL)
32.	CONTROL EQUIPMENT(BLADE)
33.	CONTROL EQUIPMENT(SWING)
34.	ARM REST
35.	TRAVEL FRAME
36.	TURNING FRAME & TURNING BEARING)
37.	COVER(FUEL TANK SIDE)
38.	COVER(CENTER)
39.	COVER(SEAT MOUNT)
40.	COVER(TRAVEL FRAME)
41.	COVER(TURNING FRAME)
42.	FLOOR MAT & INSTRUMENT PANEL
43.	SEAT
44.	SEAT MOUNT
45.	BONNET(BODY)
46.	BONNET(REAR)
47.	BONNET(SIDE : LEFT)
48.	BONNET(SIDE : RIGHT)
49.	CABIN MOUNT
50.	CABIN(BODY)
51.	CABIN(DOOR)
52.	CABIN(FRONT WINDOW : 1)
53.	CABIN(FRONT WINDOW : 2)
54.	CABIN(WINDOW SASH & LOWER GLASS)
55.	CABIN(ELECTRIC)
56.	CABIN(WASHER TANK)
57.	CABIN(REAVIEW MIRROR & ACCESSORY)
58.	SIDE MIRROR
59.	HYD.OIL PUMP & JOINT

CONTENTS

MODEL : VIO80(US,AS,NZ)

PC NO : 0CS10-G55700

Fig.No. GROUP NAME

- 60. CONTROL VALVE PLATE
- 61. BOOM CYLINDER
- 62. ARM CYLINDER
- 63. BUCKET CYLINDER
- 64. SWING CYLINDER
- 65. BLADE CYLINDER
- 66. HITCH CYLINDER
- 67. TRAVEL MOTOR
- 68. TURNING MOTOR
- 69. ACCUMULATOR
- 70. LINE FILTER
- 71. SWIVEL JOINT(Y SPEC.)TO M92121
- 119. (71A)SWIVEL JOINT(N SPEC.)FROM M92122
- 120. (71B)SWIVEL JOINT KIT(N SPEC.)FROM M92122
- 72. CONTROL VALVE(1/8)
- 73. CONTROL VALVE(2/8)
- 74. CONTROL VALVE(3/8)
- 75. CONTROL VALVE(4/8)
- 76. CONTROL VALVE(5/8)
- 77. CONTROL VALVE(6/8)
- 78. CONTROL VALVE(7/8)
- 79. CONTROL VALVE(8/8)
- 80. 2-WAY VALVE
- 81. BLADE VALVE
- 82. SOLENOID VALVE(P.T.O.)
- 83. SOLENOID VALVE(PILOT)
- 84. SOLENOID VALVE(QUICK COUPLER)
- 85. REMOTE CONTROL VALVE(OPERATION)
- 86. REMOTE CONTROL VALVE(TRAVEL)
- 87. REMOTE CONTROL VALVE(SWING)

Fig.No. GROUP NAME

- 88. HYD.OIL TANK
- 89. HOLD VALVE(BOOM)
- 90. HOLD VALVE(ARM)
- 91. HYD.OIL PIPING(PUMP - CONTROL VALVE - OIL COOLER)
- 92. HYD.OIL PIPING(TANK - PUMP, SWING CYLINDER)
- 93. HYD.OIL PIPING(CONTROL VALVE - TURNING MOTOR)
- 94. HYD.OIL PIPING(CONTROL VALVE : FITTING)
- 95. HYD.OIL PIPING(CONTROL VALVE - BOOM, TURNING MOTOR, TANK)
- 96. HYD.OIL PIPING(CONTROL VALVE - SWIVEL JOINT)
- 97. HYD.OIL PIPING(TRACK FRAME)
- 98. HYD.OIL PIPING(BOOM)
- 99. HYD.OIL.PIPING(P.T.O. : FRAME END)
- 100. HYD.OIL PIPING(P.T.O. : ARM END)
- 101. HYD.OIL PIPING(QUICK COUPLER)
- 102. HYD.OIL PIPING(HOLD VALVE)
- 103. CONTROL PIPING(CONTROL VALVE - SOLENOID VALVE)
- 104. CONTROL PIPING(CONTROL VALVE - 2-WAY VALVE)
- 105. CONTROL PIPING(2-WAY VALVE - REMOTE CONTROL VALVE)
- 106. CONTROL PIPING(TRAVEL, SWING PEDAL)
- 107. CONTROL PIPING(P.T.O.)
- 108. GREASING
- 109. BOOM BRACKET
- 110. BOOM
- 111. ARM
- 112. BUCKET ARM & LINK
- 113. QUICK COUPLER
- 114. BUCKET
- 115. BLADE
- 116. CA LABEL KIT(OPTIONAL)
- 117. ADDITIONAL WEIGHT(OPTIONAL)

CONTENTS

MODEL : VIO80(US,AS,NZ)

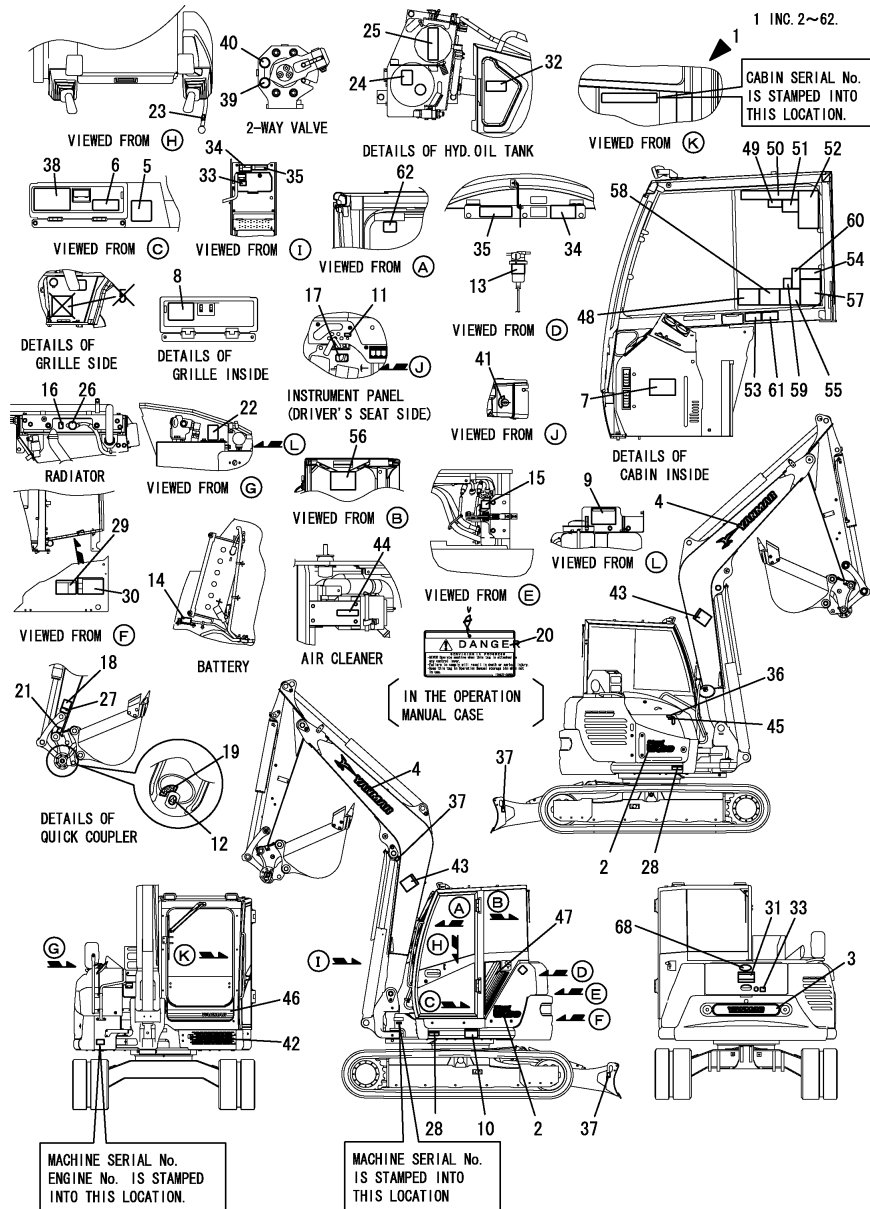
PC NO : 0CS10-G55700

Fig.No. GROUP NAME

118. HOLD VALVE(OPTIONAL)

Fig.No. GROUP NAME

Fig.1. LABEL



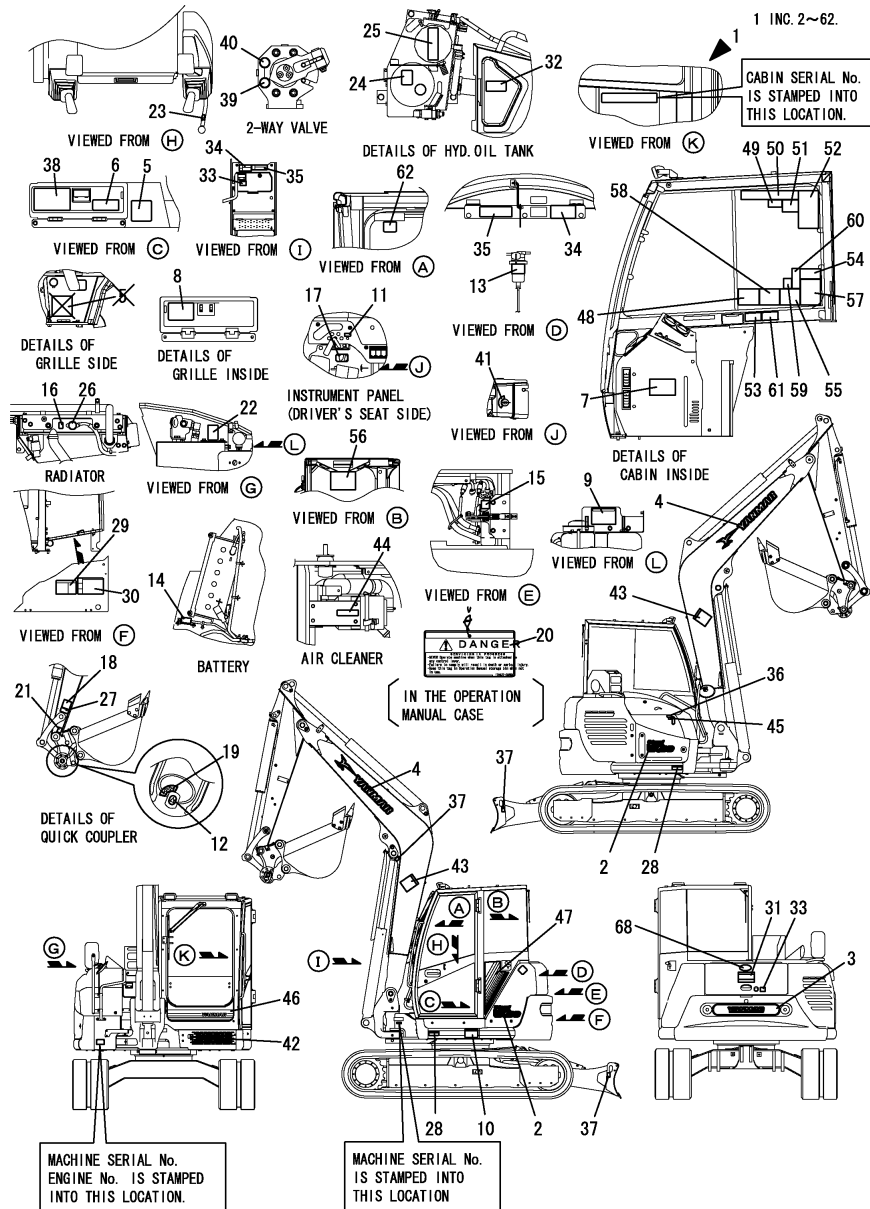
Remarks
 (1) RUBBER CRAWLER SPEC.
 Installation position change.
 * PLEASE REFER TO FIG.NO.116 FOR THE FRENCH LABEL KIT FOR CANADA.

(A)=VIO80(US)
 (B)=VIO80(AS)
 (C)=VIO80(NZ)

(D)=
 (E)=
 (F)=

REF.	LEV.	PARTS NO.	DESCRIPTION	QTY						I	R
				(A)	(B)	(C)	(D)	(E)	(F)		
1	1	172A89-03010	LABEL KIT,EX	1	1	1					
1-1	1	172A89-03011	LABEL KIT,EX	1	1						S
		(A=M92001) (B=M92001)									
2	2	172A89-03140	LABEL,TYPE	2	2	2					
3	2	172A69-03160	LABEL, REAR EMBLEM	1	1	1					
4	2	172A21-03220	LABEL, BRAND	2	2	2					
4-1	2	172A65-03230	LABEL, YANMAR 627	1	1	1					S
		(A=M92001) (B=M92001) (C=M92001)									
5	2	172463-03281	LABEL, ADJUST CRAWLER	1	1	1					1
6	2	172A89-03100	LABEL, SPEC US	1	1	1					
7	2	172A89-03110	LABEL, OIL & WATER US	1	1	1					
8	2	172A89-03120	LABEL, FUSE US	1	1	1					
9	2	172A69-03130	LABEL, GREASING US	1	1	1					
10	2	172472-03141	LABEL, SUPPORT	1	1	1					
11	2	172A65-03150	LABEL, WARNING	1	1	1					
12	2	172958-03160	LABEL	1	1	1					
13	2	172A07-03160	LABEL	1	1	1					
14	2	172A69-03170	LABEL, FL, US	1	1	1					
15	2	172A38-03201	LABEL, SUB TANK	1	1	1					
16	2	172A38-03211	LABEL, ANTI-FREEZING	1	1	1					
17	2	172A69-03220	LABEL, ACCELERATOR	1	1	1					
18	2	172472-03230	LABEL, OPERATION	1	1	1					
19	2	172458-03240	LABEL, LOCK	1	1	1					
20	2	172437-03252	TAG ASSY, CAUTION	1	1	1					
21	2	172472-03261	LABEL, FINGER	1	1	1					
22	2	172A69-03270	LABEL, PTO SELECT	1	1	1					
23	2	172183-03280	LABEL, LOCK	1	1	1					
24	2	172463-03290	LABEL, HYD.OIL	1	1	1					
25	2	172437-03322	LABEL, RESEVOIR	1	1	1					
26	2	172462-03320	LABEL, RADIATOR	1	1	1					
27	2	172472-03330	LABEL, LOCK PIN	1	1	1					
28	2	172437-03352	LABEL, CYLINDER	2	2	2					
29	2	172A69-03350	LABEL, BATTERY COVER	1	1	1					
30	2	172437-03361	LABEL, BATTERY	1	1	1					
31	2	172437-03381	LABEL, SWING AREA	1	1	1					
32	2	172437-03391	LABEL, RADIATOR	1	1	1					
33	2	172437-03402	LABEL, ENGINE COVER	2	2	2					
34	2	172A36-03411	LABEL, ENGINE ROOM	2	2	2					
35	2	172437-03422	LABEL, MUFFLER	2	2	2					
36	2	172437-03501	LABEL, FUEL	1	1	1					
37	2	172437-03511	LABEL, HOOK	3	3	3					
38	2	172437-03601	LABEL, 2-WAY US	1	1	1					
39	2	172437-03610	LABEL	1	1	1					
40	2	172437-03620	LABEL	1	1	1					
41	2	172A64-03700	LABEL, START SWITCH	1	1	1					
42	2	172156-03740	LABEL, GREASE	1	1	1					
43	2	172187-03941	LABEL, BOOM US	2	2	2					
44	2	172125-03951	LABEL, AIR CLEANER	1	1	1					
45	2	114110-07760	LABEL, FUEL CAUTION	1	1	1					
46	2	172A69-03300	LABEL, CABIN FRONT	1	1	1					
47	2	172A69-03310	LABEL, CABIN SIDE	1	1	1					

Fig.1. LABEL



Remarks

(1) RUBBER CRAWLER SPEC.
 Installation position change.
 * PLEASE REFER TO FIG.NO.116 FOR THE
 FRENCH LABEL KIT FOR CANADA.

(A)=VIO80(US)
 (B)=VIO80(AS)
 (C)=VIO80(NZ)

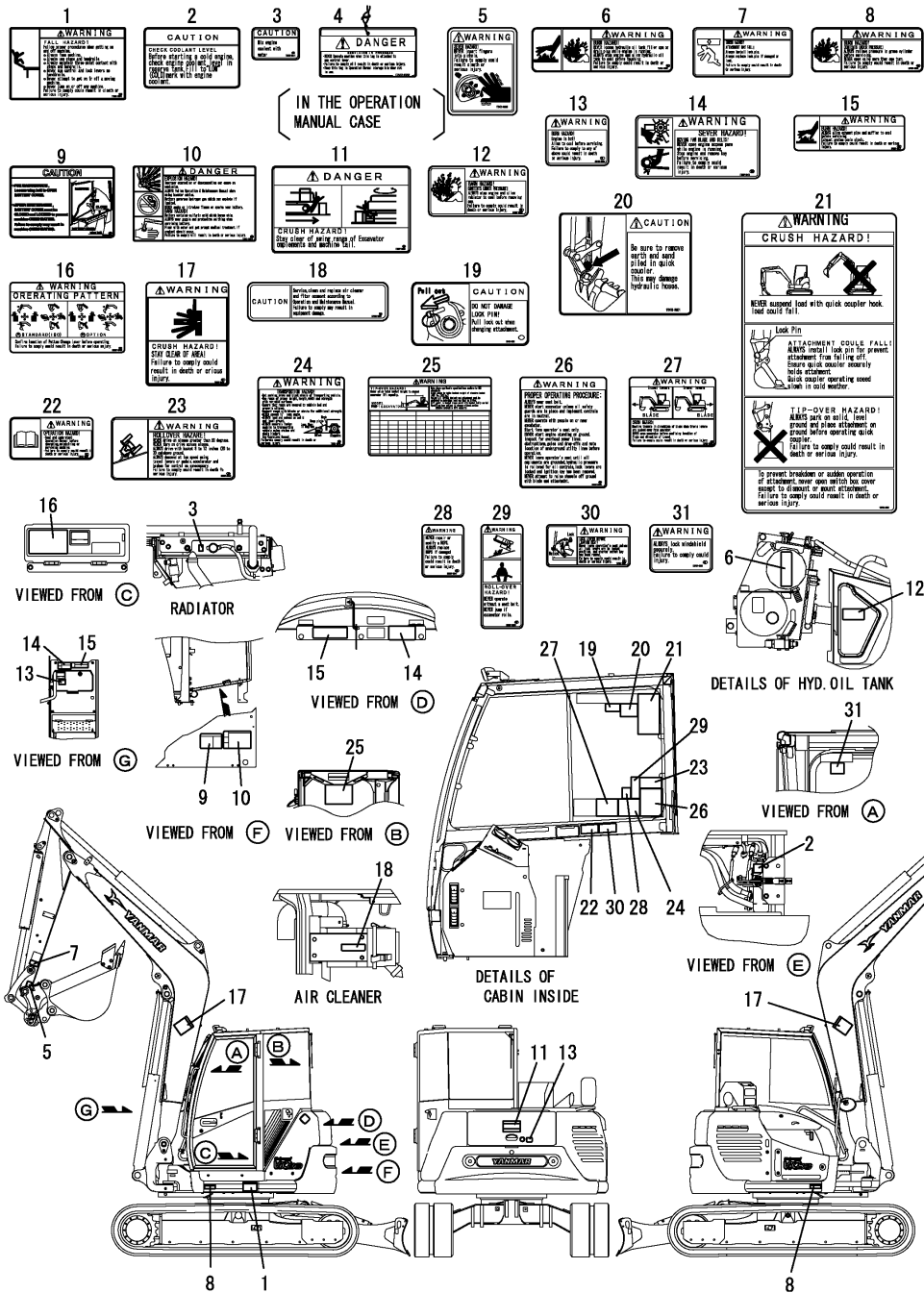
(D)=
 (E)=
 (F)=

REF.	LEV.	PARTS NO.	DESCRIPTION	QTY						I	R
				(A)	(B)	(C)	(D)	(E)	(F)		
48	2	172A69-03200	LABEL, OPERATION	1	1	1					
49	2	172472-03241	LABEL, PINUS	1	1	1					
50	2	172472-03250	LABEL, OPERATION	1	1	1					
51	2	172472-03271	LABEL, SANDUS	1	1	1					
52	2	172472-03281	LABEL, WARNING HITCH	1	1	1					
53	2	172437-03302	LABEL, MANUAL	1	1	1					
54	2	172437-03312	LABEL, SLOPE	1	1	1					
55	2	172437-03343	LABEL, TRANSPORT	1	1	1					
56	2	172A89-03360	LABEL, LIFT Q	1	1	1					
57	2	172437-03372	LABEL, NEUTRAL	1	1	1					
58	2	172437-03432	LABEL, STEERING	1	1	1					
59	2	172437-03441	LABEL, ROPS	1	1	1					
60	2	172437-03451	LABEL, SEAT BELT	1	1	1					
61	2	172437-03471	LABEL, LEVER LOCK	1	1	1					
62	2	172437-03551	LABEL, WINDOW US	1	1	1					
68	1	172A89-03500	EMBLEM ASSY, L3 Y	1	1	1					W
		(A=M92001) (B=M92001) (C=M92001)									

Fig.2. SAFETY LABEL

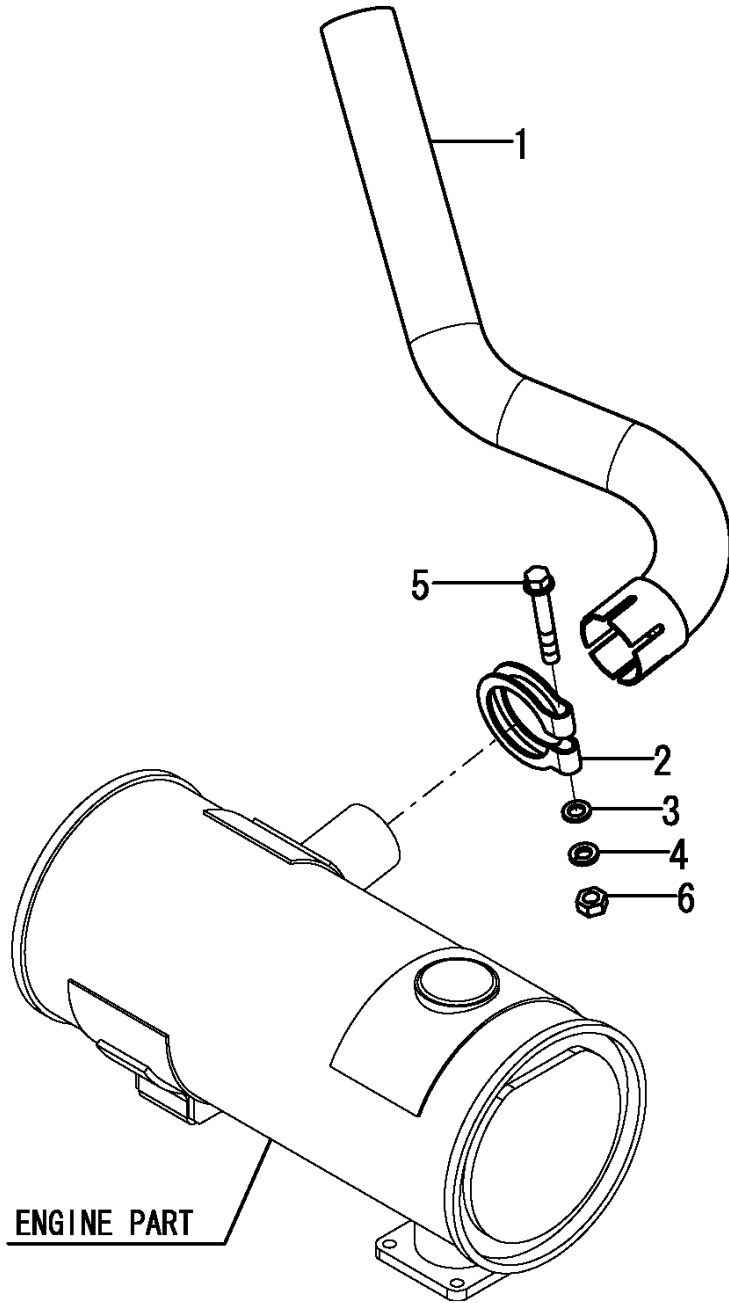
(A)=VIO80(US)
 (B)=VIO80(AS)
 (C)=VIO80(NZ)

(D)=
 (E)=
 (F)=



REF.	LEV.	PARTS NO.	DESCRIPTION	QTY						I	R
				(A)	(B)	(C)	(D)	(E)	(F)		
1	1	172472-03141	LABEL, SUPPORT US	1	1	1					
2	1	172A38-03201	LABEL, SUB-TANK US	1	1	1					
3	1	172A38-03211	LABEL,ANTI-FREEZING	1	1	1					
4	1	172437-03252	TAG ASSY, CAUTION	1	1	1					
5	1	172472-03261	LABEL, FINGER US	1	1	1					
6	1	172437-03322	LABEL, HYD.OIL TANK	1	1	1					
7	1	172472-03330	LABEL, LOCK PIN(US	1	1	1					
8	1	172437-03352	LABEL, GREASE CYL.	2	2	2					
9	1	172A69-03350	LABEL,BATTERY COVER	1	1	1					
10	1	172437-03361	LABEL, BATTERY US	1	1	1					
11	1	172437-03381	LABEL, SWING AREA US	1	1	1					
12	1	172437-03391	LABEL, RADIATOR US	1	1	1					
13	1	172437-03402	LABEL, ENG,COVER US	2	2	2					
14	1	172A36-03411	LABEL, ENG ROOM	2	2	2					
15	1	172437-03422	LABEL, MUFFLER US	2	2	2					
16	1	172437-03601	LABEL, 2-WAY US	1	1	1					
17	1	172187-03941	LABEL, BOOM US	2	2	2					
18	1	172125-03951	LABEL, AIR CLEANER	1	1	1					
19	1	172472-03241	LABEL, PIN US	1	1	1					
20	1	172472-03271	LABEL, SAND US	1	1	1					
21	1	172472-03281	LABEL, WARNING HITCH	1	1	1					
22	1	172437-03302	LABEL, MANUAL US	1	1	1					
23	1	172437-03312	LABEL,SLOPE US	1	1	1					
24	1	172437-03343	LABEL, TRANSPORT US	1	1	1					
25	1	172A89-03360	LABEL,LIFT Q	1	1	1					
26	1	172437-03372	LABEL, NEUTRAL US	1	1	1					
27	1	172437-03432	LABEL, STEERING US	1	1	1					
28	1	172437-03441	LABEL, ROPS US	1	1	1					
29	1	172437-03451	LABEL, SEAT BELT US	1	1	1					
30	1	172437-03471	LABEL, LEVER LOCK US	1	1	1					
31	1	172437-03551	LABEL, WINDOW US	1	1	1					

Fig.3. MUFFLER



OCS10-G55700 3. MUFFLER

(A)=VIO80(US)
(B)=VIO80(AS)
(C)=VIO80(NZ)

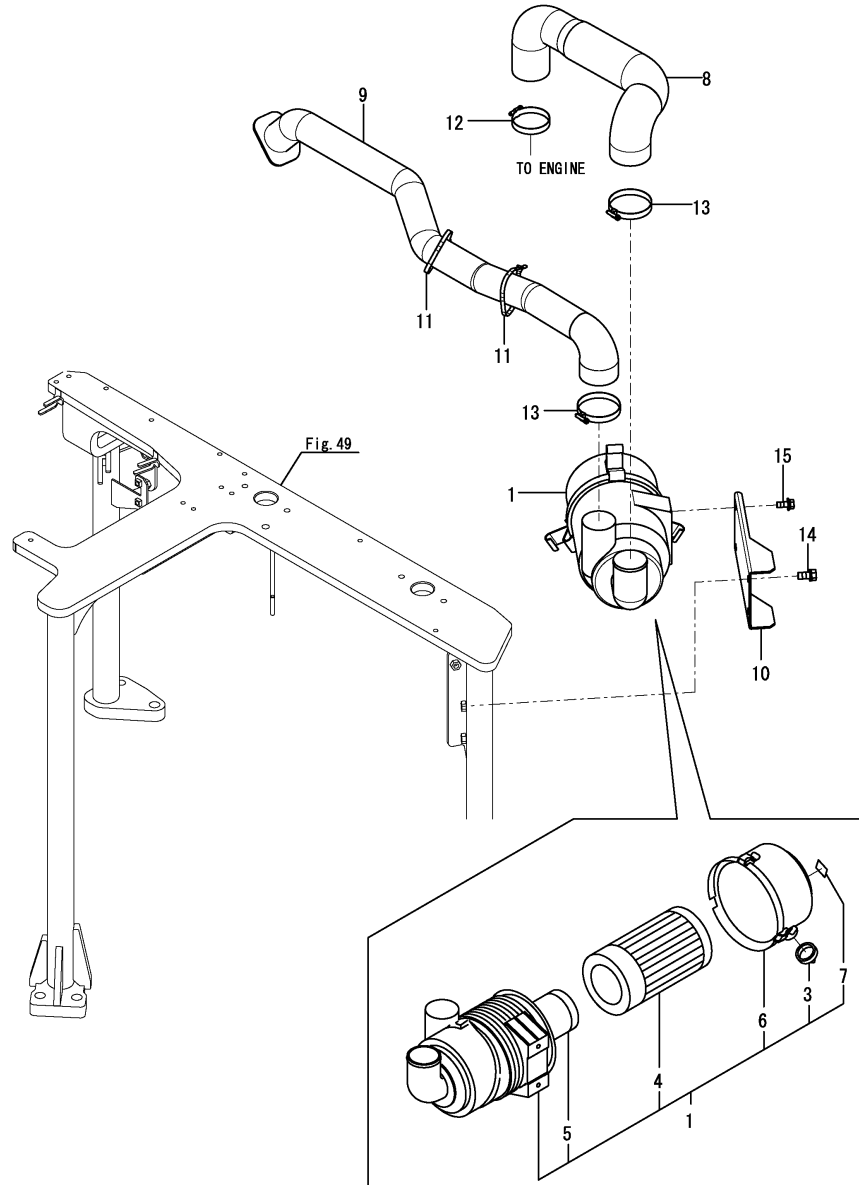
(D)=
(E)=
(F)=

REF.	LEV.	PARTS NO.	DESCRIPTION	QTY						I	R
				(A)	(B)	(C)	(D)	(E)	(F)		
1	1	172A89-11300	PIPE CMP,EXHAUST	1	1	1					
2	1	172187-11400	CLAMP	1	1	1					
3	1	22117-100000	WASHER 10	1	1	1					
4	1	22217-100000	SPRING WASHER 10	1	1	1					
5	1	26106-100652	BOLT M10X 65 PLATED	1	1	1					
6	1	26706-100002	NUT M10	1	1	1					

Fig.4. AIR CLEANER(AS,NZ)

(A)=VIO80(US)
 (B)=VIO80(AS)
 (C)=VIO80(NZ)

(D)=
 (E)=
 (F)=



REF.	LEV.	PARTS NO.	DESCRIPTION	QTY						I	R	
				(A)	(B)	(C)	(D)	(E)	(F)			
1	1	172A21-11500	CLEANER ASSY, AIR		1	1						
3	2	119808-12540	VALVE, UNLOADER		1	1						
4	2	129062-12560	ELEMENT		1	1						
5	2	119005-12571	ELEMENT, INNER		1	1						
6	2	129062-12570	COVER ASSY		1	1						
7	2	129612-12650	LABEL, MARKING		1	1						
8	1	172A89-11540	HOSE,AIR INTAK		1	1						
9	1	172A89-11510	HOSE B ASSY		1	1						
10	1	172A69-11530	BRACKET,CLEANER		1	1						1
11	1	172122-79890	CLAMP 350		2	2						
12	1	23000-070000	CLAMP 70		1	1						
13	1	23000-080000	CLAMP 80		2	2						
14	1	26013-100202	BOLT W/WASHER M10X20		2	2						
15	1	26014-080202	BOLT M 8X 20		2	2						
16A	1	172125-03951	LABEL, AIR CLEANER		1	1						2

Remarks

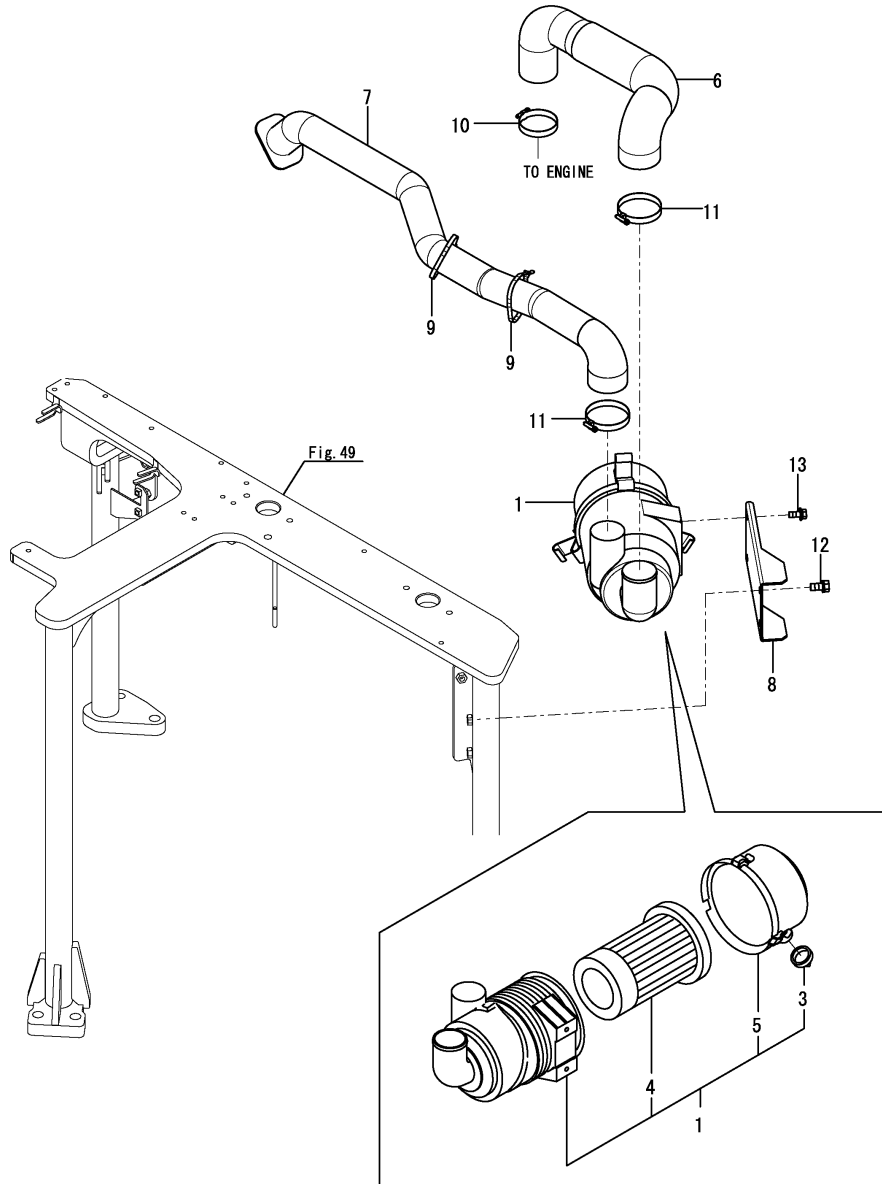
- (1)PLEASE USE THIS PART WITH FOLLOWING LABEL AT THE SAME TIME. REF.NO.16A.
- (2)LABEL IS NOT ILLUSTRATED.

Fig.5. AIR CLEANER(US)

OCS10-G55700 5. AIR CLEANER(US)

(A)=VIO80(US)
 (B)=VIO80(AS)
 (C)=VIO80(NZ)

(D)=
 (E)=
 (F)=

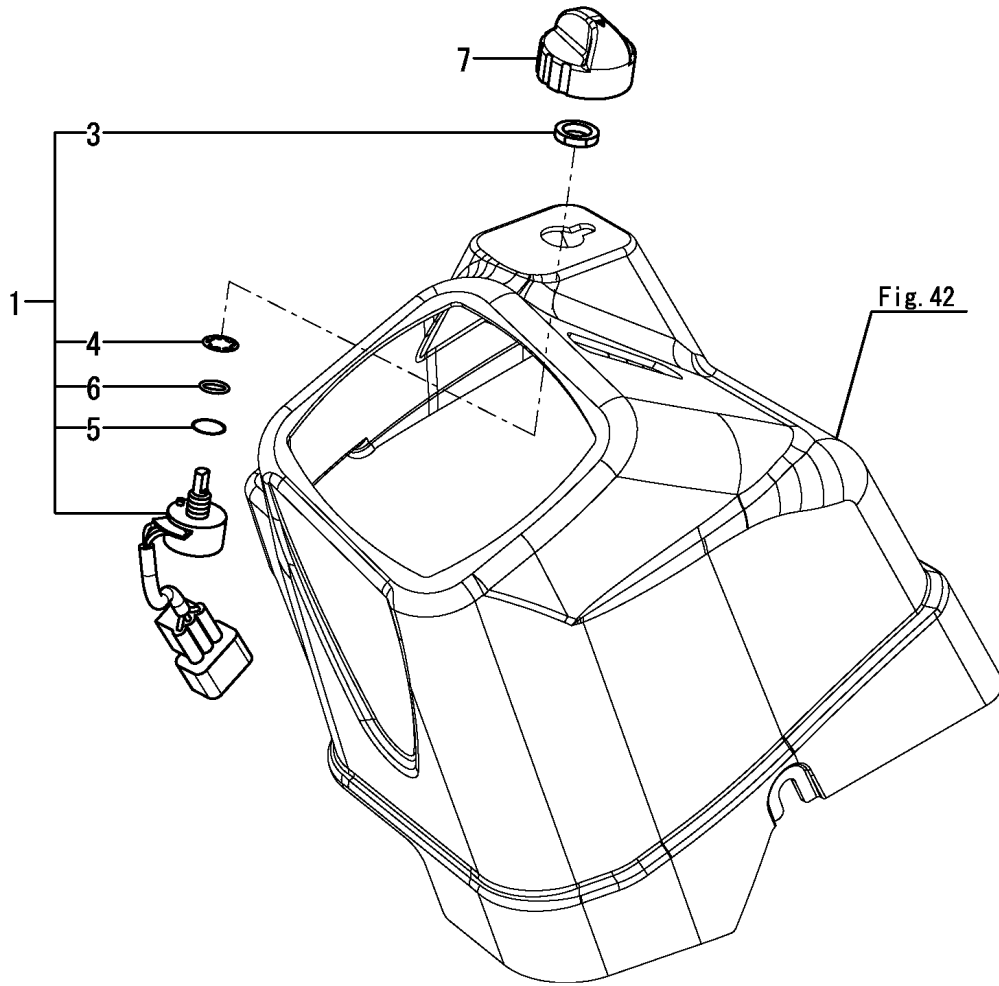


REF.	LEV.	PARTS NO.	DESCRIPTION	QTY						I	R
				(A)	(B)	(C)	(D)	(E)	(F)		
1	1	172455-11500	AIR CLEANER ASSY	1							
3	2	119808-12540	VALVE, UNLOADER	1							
4	2	129062-12560	ELEMENT	1							
5	2	129062-12570	COVER ASSY	1							
6	1	172A89-11540	HOSE,AIR INTAK	1							
7	1	172A89-11510	HOSE B ASSY	1							
8	1	172A69-11530	BRACKET,CLEANER	1							1
9	1	172122-79890	CLAMP 350	2							
10	1	23000-070000	CLAMP 70	1							
11	1	23000-080000	CLAMP 80	2							
12	1	26013-100202	BOLT W/WASHER M10X20	2							
13	1	26014-080202	BOLT M 8X 20	2							
14A	1	172125-03951	LABEL, AIR CLEANER	1							2

Remarks

- (1)PLEASE USE THIS PART WITH FOLLOWING LABEL AT THE SAME TIME. REF.NO.14A.
- (2)LABEL IS NOT ILLUSTRATED.

Fig.6. ACCELERATOR

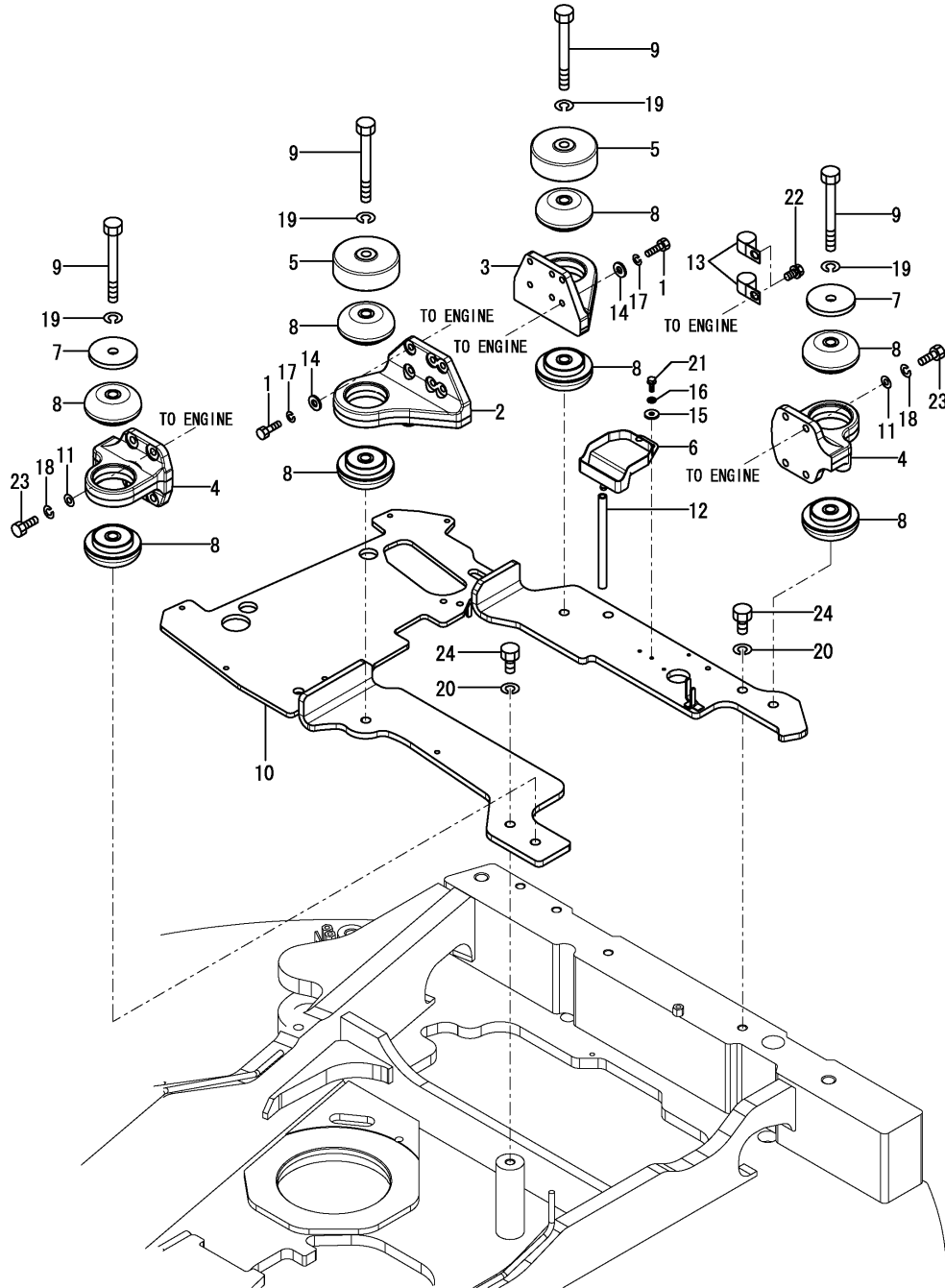


(A)=VIO80(US)
 (B)=VIO80(AS)
 (C)=VIO80(NZ)

(D)=
 (E)=
 (F)=

REF.	LEV.	PARTS NO.	DESCRIPTION	QTY						I	R
				(A)	(B)	(C)	(D)	(E)	(F)		
1	1	172A69-12100	VOLUME, ACCEL ASSY	1	1	1					
3	2	172A69-12160	NUT M9P0.75	1	1	1					
4	2	172A69-12170	WASHER	1	1	1					
5	2	172A69-12180	WATER PROOF RING	1	1	1					
6	2	172A69-12190	O RING	1	1	1					
7	1	172A69-12120	KNOB ASSY,ACCEL	1	1	1					

Fig.7. ENGINE MOUNT



(A)=VIO80(US)
(B)=VIO80(AS)
(C)=VIO80(NZ)

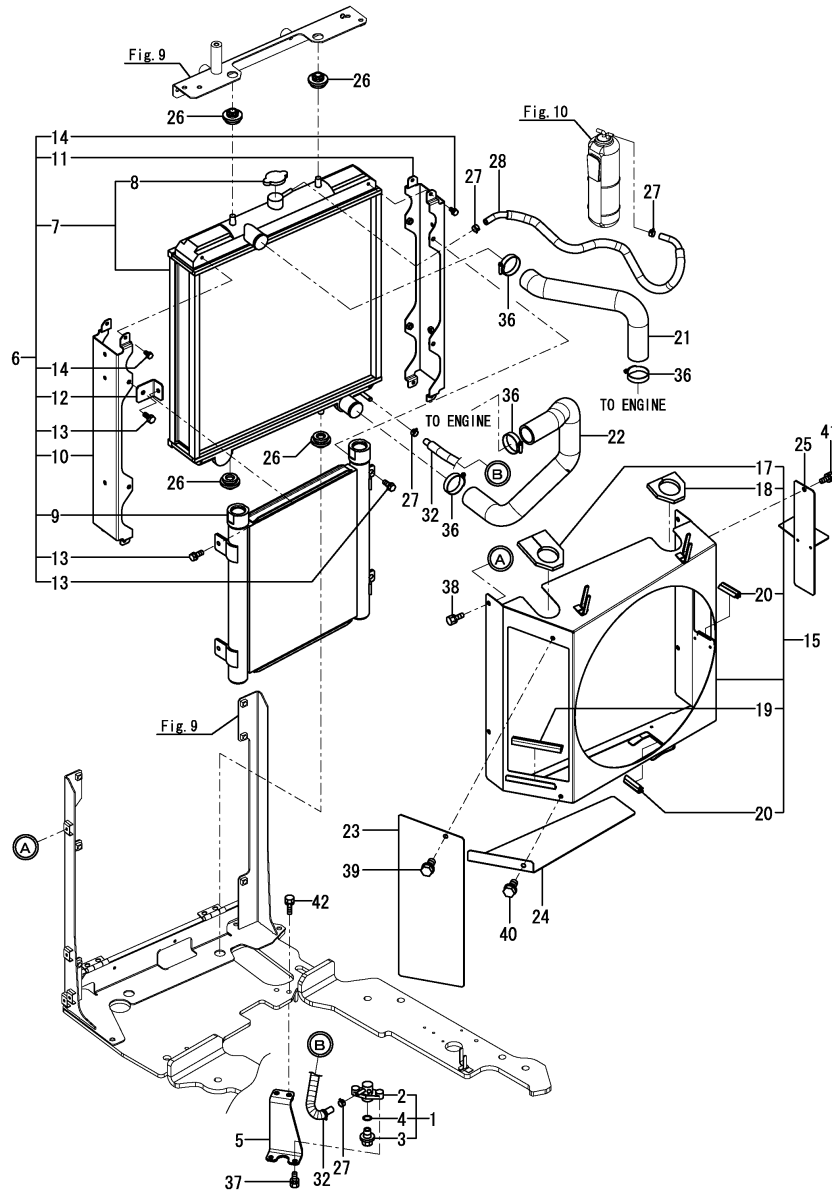
(D)=
(E)=
(F)=

REF.	LEV.	PARTS NO.	DESCRIPTION	QTY						I	R
				(A)	(B)	(C)	(D)	(E)	(F)		
1	1	172A21-13100	BOLT 10X35,11T	12	12	12					
2	1	172A69-13100	BRACKET RR	1	1	1					
3	1	172A69-13110	BRACKET RL	1	1	1					
4	1	172A69-13120	BRACKET F	2	2	2					
5	1	172A69-13150	STOPPER	2	2	2					
6	1	172A89-13150	OIL SAUCER	1	1	1					
7	1	172162-13170	WASHER	2	2	2					
8	1	172162-13180	MOUNT,ENGINE	8	8	8					
9	1	172162-13190	BOLT M16X150	4	4	4					
10	1	172A89-13200	PLATE ASSY,BASE	1	1	1					
11	1	172165-13220	WASHER	8	8	8					
12	1	172137-14282	HOSE, FUEL GAUGE	1	1	1					
13	1	172112-16650	CLAMP(B)	2	2	2					
14	1	172137-46042	SEAT, SPRING	12	12	12					
15	1	22117-060000	WASHER 6	2	2	2					
16	1	22157-060000	WASHER 6	2	2	2					
17	1	22217-100000	SPRING WASHER 10	12	12	12					
18	1	22217-120000	SPRING WASHER 12	8	8	8					
19	1	22217-160000	SPRING WASHER 16	4	4	4					
20	1	22217-160000	SPRING WASHER 16	4	4	4					
21	1	26013-060162	BOLT M 6X 16	2	2	2					
22	1	26013-100162	BOLT M10X 16	2	2	2					
23	1	26076-120352	BOLT M12X 35	8	8	8					
24	1	26116-160352	BOLT M16X 35 PLATED	4	4	4					

Fig.8. RADIATOR

(A)=VIO80(US)
(B)=VIO80(AS)
(C)=VIO80(NZ)

(D)=
(E)=
(F)=



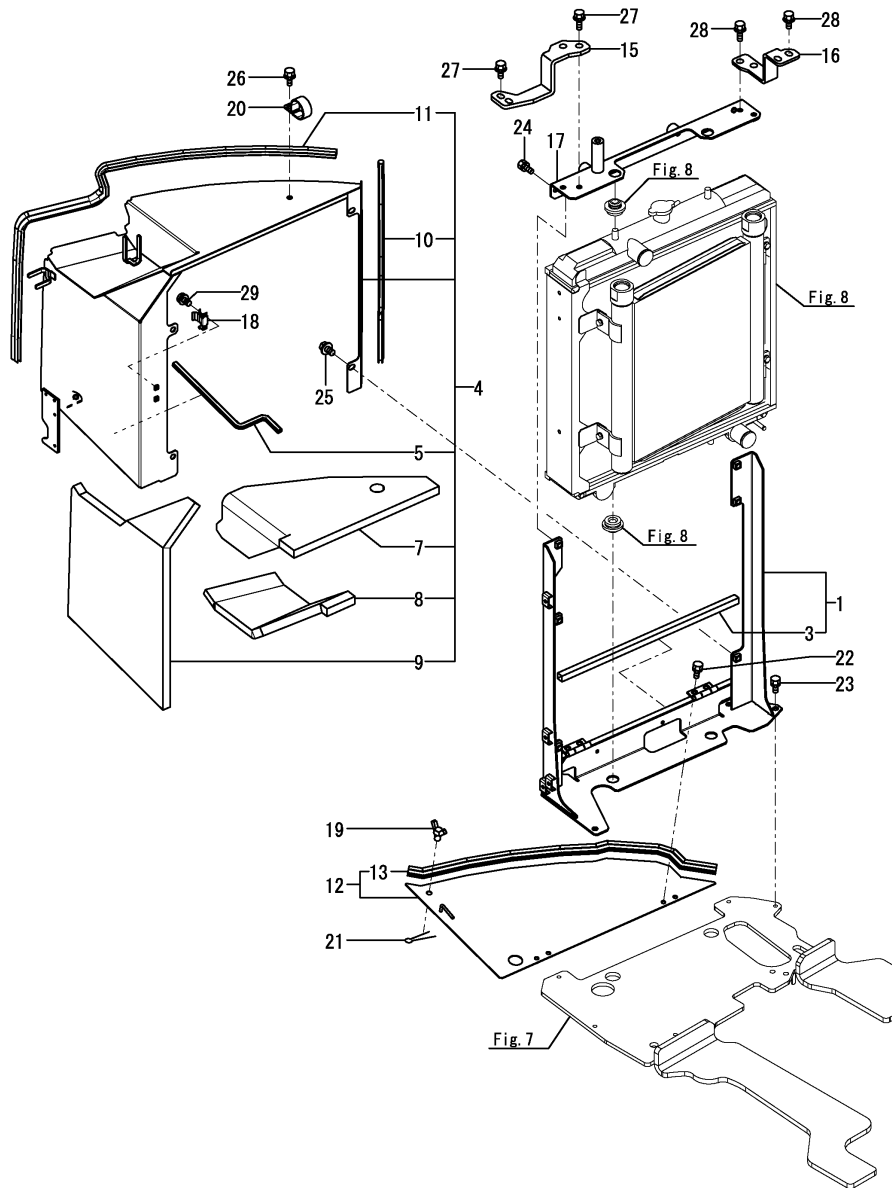
REF.	LEV.	PARTS NO.	DESCRIPTION	QTY						I	R
				(A)	(B)	(C)	(D)	(E)	(F)		
1	1	172444-13210	COCK ASSY, 2-WAY	1	1	1					
2	2	172444-13220	BODY	1	1	1					
3	2	121250-49121	PLUG	1	1	1					
4	2	24311-000160	O-RING	1	1	1					
5	1	172A69-13230	PLATE ASSY, COCK	1	1	1					
6	1	172A89-13300	RADIATOR ASSY	1	1	1					
7	2	172A89-13310	RADIATOR SUB ASSY	1	1	1					1
8	3	129107-44590	CAP	1	1	1					
9	2	172A89-13320	OIL COOLER	1	1	1					
10	2	172A89-13330	SUPPORT ASSY	1	1	1					
11	2	172A89-13340	SUPPORT ASSY	1	1	1					
12	2	172A89-13350	BRACKET	2	2	2					
13	2	172A89-13360	BOLT M8	6	6	6					
14	2	172A89-13370	BOLT M6	8	8	8					
15	1	172A89-13500	SHROUD ASSY	1	1	1					
17	2	172A89-13550	EV A,SHROUD	1	1	1					
18	2	172A89-13560	EV B,SHROUD	1	1	1					
19	2	172458-61500	RUBBER, SEAL	1	1	1					
20	2	172458-61510	RUBBER, SEAL	2	2	2					
21	1	172A89-13570	CW-T,A	1	1	1					
22	1	172A89-13580	CW-T,B	1	1	1					
23	1	172A89-13800	COVER A,SHROUD	1	1	1					
24	1	172A89-13810	COVER B,SHROUD	1	1	1					
25	1	172A89-13820	COVER C ASSY,SHROUD	1	1	1					
26	1	184015-44680	ABSORBER, SHOCK	4	4	4					
27	1	124766-59050	CLIP	4	4	4					
28	1	184015-59130	HOSE	1	1	1					
32	1	184014-59450	PIPE ASSY, FUEL	1	1	1					
36	1	23001-048000	CLAMP, HOSE	4	4	4					
37	1	26013-080162	BOLT	2	2	2					
38	1	26013-080162	BOLT	4	4	4					
39	1	26013-080162	BOLT	1	1	1					
40	1	26013-080162	BOLT	1	1	1					
41	1	26013-080162	BOLT	1	1	1					
41-1	1	26014-080162	BOLT	1	1	1					N
		(A=MXXXXX) (B=MXXXXX) (C=MXXXXX)									
42	1	26013-100302	BOLT	2	2	2					
43A	1	172A38-03211	LABEL, ANTI-FREEZING	1	1	1					2

Remarks
(1)PLEASE USE THIS PART WITH FOLLOW-
ING LABEL AT THE SAME TIME.
REF.NO.43A.
(2)LABEL IS NOT ILLUSTRATED.

Fig.9. RADIATOR MOUNT

(A)=VIO80(US)
(B)=VIO80(AS)
(C)=VIO80(NZ)

(D)=
(E)=
(F)=

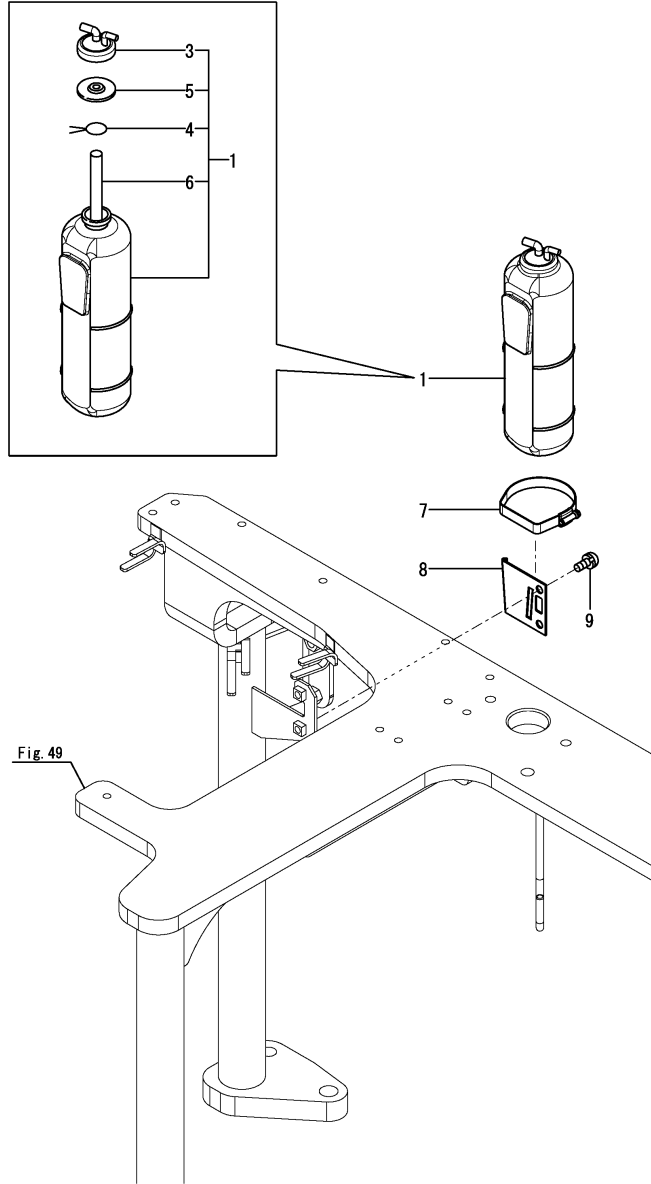


REF.	LEV.	PARTS NO.	DESCRIPTION	QTY						I	R
				(A)	(B)	(C)	(D)	(E)	(F)		
1	1	172A89-13400	BRACKET ASSY,RAD	1	1	1					
3	2	172499-13750	SEAL A,DUCT	1	1	1					
4	1	172A89-13600	DUCT ASSY,RADIATOR	1	1	1					
5	2	172638-06720	RUBBER 350	1	1	1					
7	2	172A89-13680	EV A,DUCT	1	1	1					
8	2	172A89-13690	EV B,DUCT	1	1	1					
9	2	172A89-13700	EV C,DUCT	1	1	1					
10	2	172A89-13730	SEAL 510	1	1	1					
11	2	172A69-61650	SEAL 1130	1	1	1					
12	1	172A89-13750	COVER ASSY,DUCT	1	1	1					1
13	2	172A69-13670	SEAL 710	1	1	1					
15	1	172A89-13830	STAY A,RAD	1	1	1					
16	1	172A89-13840	STAY B,RAD	1	1	1					
17	1	172A89-13860	BRACKET ASSY,RAD U	1	1	1					
18	1	198220-61480	HOLDER	1	1	1					
19	1	172142-62301	WING BOLT,M10X20	1	1	1					
20	1	172146-78150	PLATE, CLAMP	1	1	1					
21	1	22417-320200	COTTER PIN 3.2X20	1	1	1					
22	1	26013-080162	BOLT W/WASHER M8X16	4	4	4					
23	1	26013-100202	BOLT W/WASHER M10X20	4	4	4					
24	1	26013-100202	BOLT W/WASHER M10X20	2	2	2					
25	1	26014-100202	BOLT M10X 20	4	4	4					
26	1	26014-100202	BOLT M10X 20	1	1	1					
27	1	26014-100252	BOLT 10X25 W/PLW+SPW	4	4	4					
28	1	26014-100252	BOLT 10X25 W/PLW+SPW	4	4	4					
29	1	26023-050102	SCREW M 5X 10	2	2	2					
30A	1	172A69-03350	LABEL,BATTERY COVER	1	1	1					2
30B	1	172437-03361	LABEL, BATTERY US	1	1	1					2

Remarks

- (1)PLEASE USE THIS PART WITH FOLLOWING LABEL AT THE SAME TIME. REF.NO.30A & 30B.
- (2)LABEL IS NOT ILLUSTRATED.

Fig.10. SUB-TANK



(A)=VIO80(US)
 (B)=VIO80(AS)
 (C)=VIO80(NZ)

(D)=
 (E)=
 (F)=

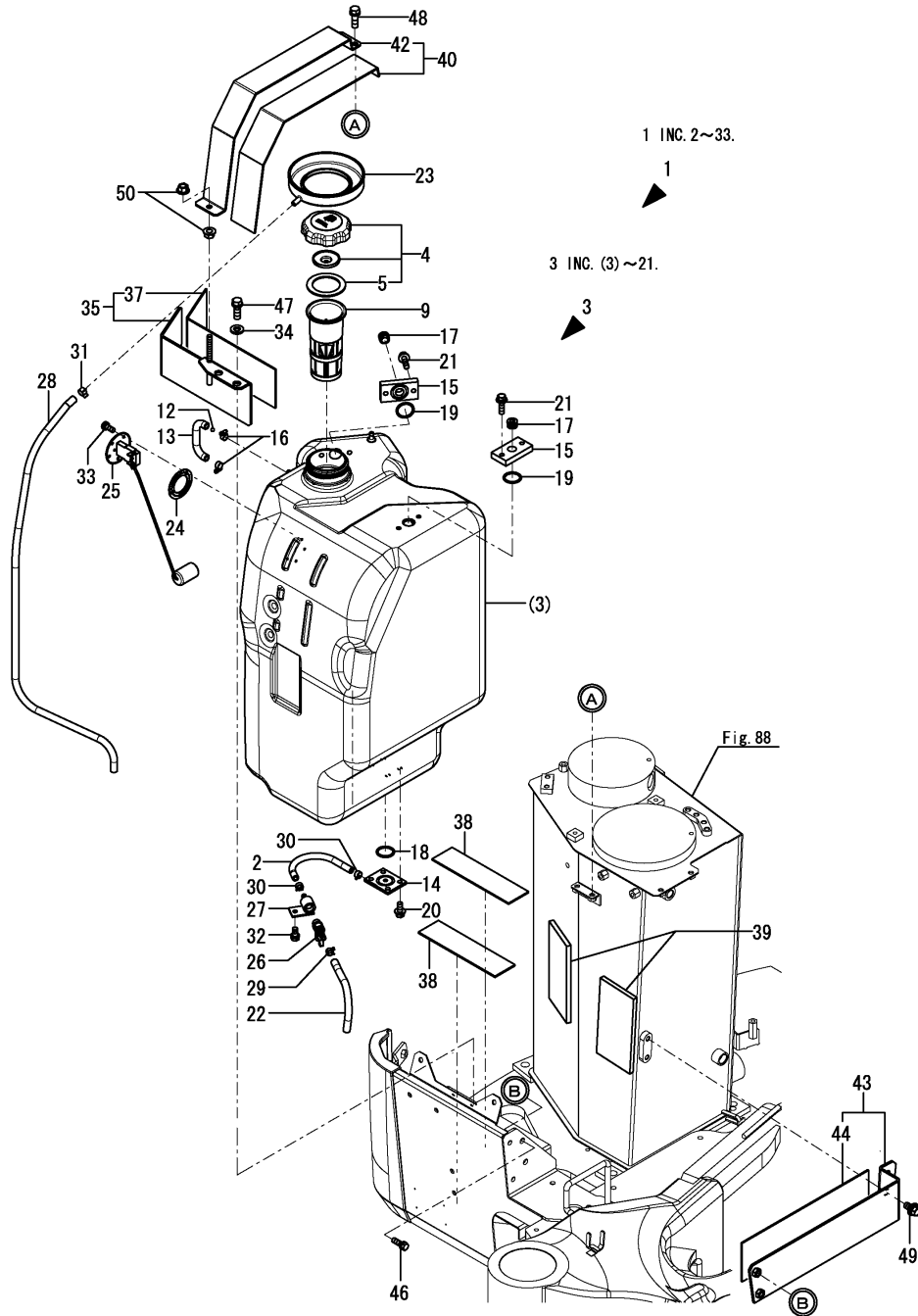
REF.	LEV.	PARTS NO.	DESCRIPTION	QTY						I	R
				(A)	(B)	(C)	(D)	(E)	(F)		
1	1	171064-44510	SUB-TANK ASSY	1	1	1					1
3	2	121450-44531	CAP	1	1	1					
4	2	124450-44560	CLAMP	1	1	1					
5	2	121470-44581	GASKET	1	1	1					
6	2	23065-070225	HOSE 7X 225	1	1	1					
7	1	124450-44550	CLAMP, SUB-TANK	1	1	1					
8	1	121256-44600-3	BRACKET, SUB-TANK	1	1	1					
9	1	26022-080162	SCREW M 8X 16	2	2	2					
10A	1	172A38-03201	LABEL, SUB-TANK US	1	1	1					2

Fig. 49

Remarks

(1)PLEASE USE THIS PART WITH FOLLOW-
 ING LABEL AT THE SAME TIME.
 REF.NO.10A.
 (2)LABEL IS NOT ILLUSTRATED.

Fig.11. FUEL TANK

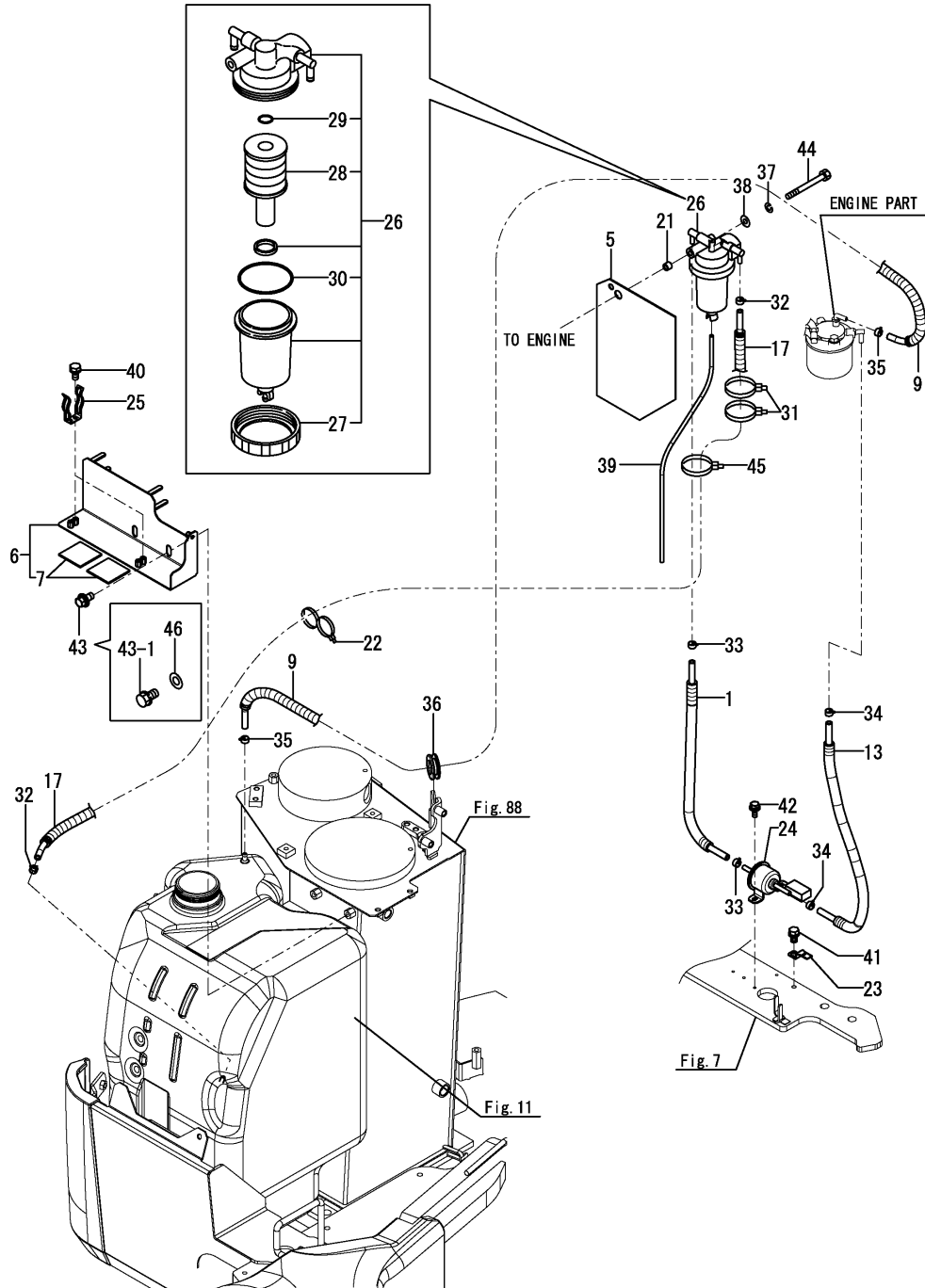


(A)=VIO80(US)
(B)=VIO80(AS)
(C)=VIO80(NZ)

(D)=
(E)=
(F)=

REF.	LEV.	PARTS NO.	DESCRIPTION	QTY						I	R
				(A)	(B)	(C)	(D)	(E)	(F)		
1	1	772A69-14100	FUEL OIL TANK ASSY	1	1	1					
2	2	172137-13400	PIPE, WATER DRAIN	1	1	1					
3	2	172A69-14110	FO TANK ASSY	1	1	1					
4	3	198200-04031	CAP ASSY,FILLER	1	1	1					
5	4	198200-04040	GASKET,FILLER CAP	1	1	1					
9	3	172A69-14130	NET ASSY,FUEL INLET	1	1	1					
12	3	172447-14160	FLOAT	1	1	1					
13	3	172458-14203	HOSE, FUEL GAUGE	1	1	1					
14	3	172A69-14211	BLOCK ASSY, DRAIN	1	1	1					
15	3	172A69-14240	PLATE, R1/2	2	2	2					
16	3	23000-013000	CLAMP 13	2	2	2					
17	3	23876-040000	PLUG PT 1/2	2	2	2					
18	3	24311-000320	O-RING 1A P-32.0	1	1	1					
19	3	24311-000320	O-RING 1A P-32.0	2	2	2					
20	3	26013-080202	BOLT W/WASHER M8X20	4	4	4					
21	3	26013-080302	BOLT M 8X 30	4	4	4					
22	2	172186-14150	HOSE, FUEL GAUGE	1	1	1					
23	2	172A69-14170	SUPPORT,RIB FO	1	1	1					
24	2	172162-14200	GASKET	1	1	1					
25	2	172A78-14220	GAUGE UNIT, FUEL	1	1	1					
26	2	172A69-14230	VALVE,FUEL DRAIN	1	1	1					
27	2	172444-14270	JOINT	1	1	1					
28	2	172187-14510	HOSE	1	1	1					
29	2	106990-44660	CLIP,HOSE	1	1	1					
30	2	124766-59050	CLAMP 12	2	2	2					
31	2	23080-013000	CLAMP 13,HOSE	1	1	1					
32	2	26013-080162	BOLT W/WASHER M8X16	1	1	1					
33	2	26022-050122	SCREW M 5X 12	5	5	5					
34	1	194145-04810	WASHER 10	2	2	2					
35	1	172A69-14310	BRACKET ASSY, F	1	1	1					
37	2	172A69-14350	RUBBER, PLATE A	1	1	1					
38	1	172A69-14370	RUBBER PLATE,D	2	2	2					
39	1	172A89-14380	RUBBER SPONGE	2	2	2					
40	1	172A69-14410	BRACKET ASSY, UP	1	1	1					
42	2	172A69-14430	RUBBER, PLATE B	1	1	1					
43	1	172A69-14450	BRACKET ASSY, L	1	1	1					
44	2	172A69-14350	RUBBER, PLATE A	1	1	1					
46	1	26013-100302	BOLT M10X 30	2	2	2					
47	1	26013-100302	BOLT M10X 30	2	2	2					
48	1	26013-100302	BOLT M10X 30	2	2	2					
49	1	26014-100202	BOLT M10X 20	2	2	2					
50	1	26367-100002	U-NUT M10	2	2	2					

Fig.12. FUEL LINE

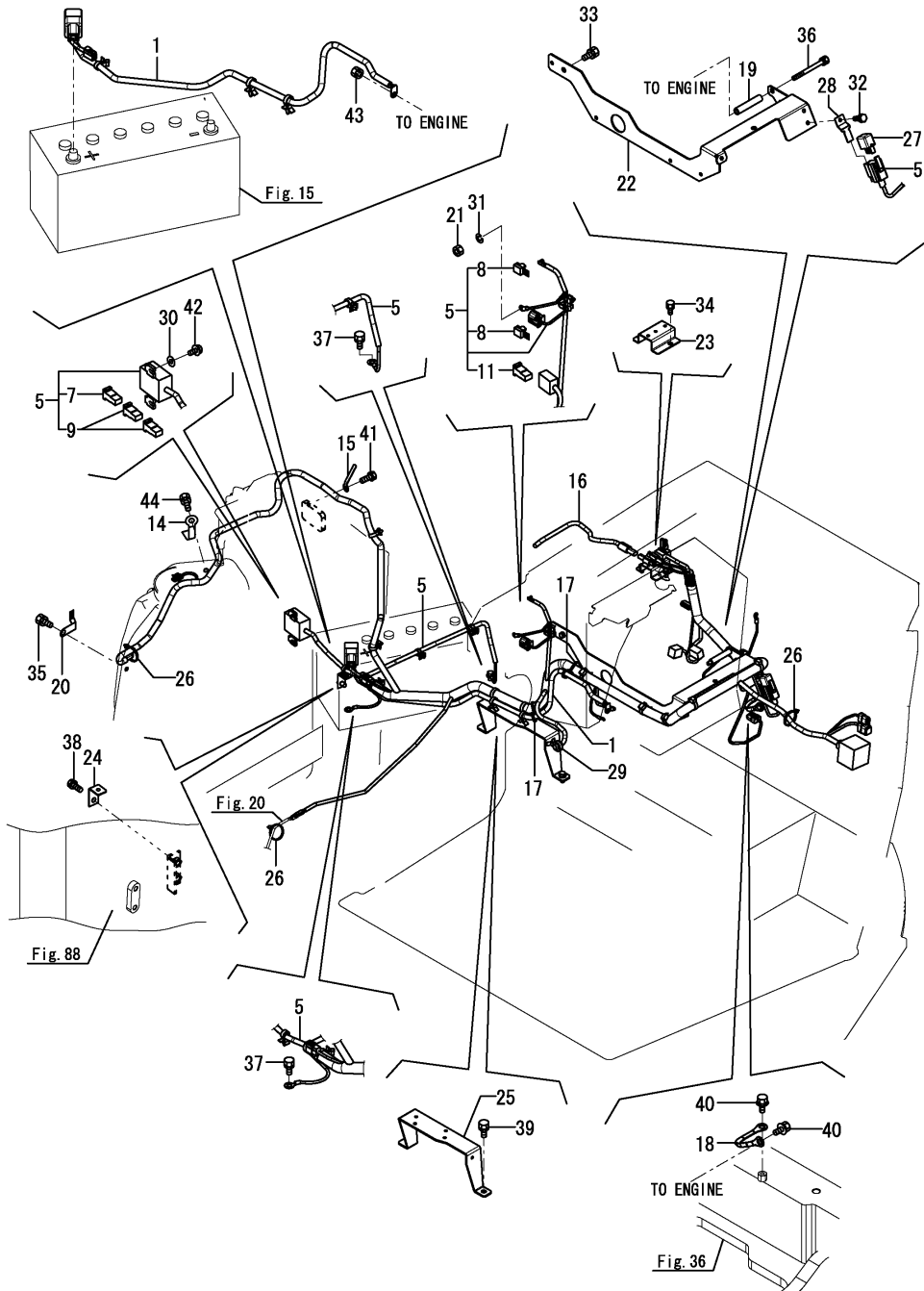


(A)=VIO80(US)
(B)=VIO80(AS)
(C)=VIO80(NZ)

(D)=
(E)=
(F)=

REF.	LEV.	PARTS NO.	DESCRIPTION	QTY						I	R
				(A)	(B)	(C)	(D)	(E)	(F)		
1	1	172186-13810	HOSE ASSY	1	1	1					
5	1	172A69-14290	RUBBER PLATE	1	1	1					
6	1	172A69-14510	BK ASSY, GREASE CAN	1	1	1					
7	2	172446-14250	RUBBER PLATE	2	2	2					
9	1	172A89-14610	HOSE ASSY(2080)	1	1	1					
13	1	172A89-14630	HOSE ASSY,550	1	1	1					
17	1	172A69-14640	HOSE ASSY(2400)	1	1	1					
21	1	194630-15520	COLLAR 9.2X13.8X11	1	1	1					
22	1	172137-16560	BAND	1	1	1					
23	1	172460-16700	STAY A	1	1	1					
24	1	129612-52100	PUMP, FUEL FEED	1	1	1					
25	1	172122-55061	BRACKET, GREASE PUMP	2	2	2					
26	1	184016-55700	SEPARATOR ASSY, WATER	1	1	1					
26-1	1	184016-55701	SEPARATOR ASSY, WATER	1	1	1					N
				(A=M90514)	(B=M90514)	(C=M90514)					
27	2	129100-55690	RING, RETAINING	1	1	1					
28	2	119802-55710	ELEMENT	1	1	1					
29	2	24311-000160	O-RING 1A P-16.0	1	1	1					
30	2	24321-000650	O-RING 1A G-65.0	1	1	1					
31	1	194202-56460	BAND	2	2	2					
32	1	124766-59050	CLAMP 12	2	2	2					
33	1	124766-59050	CLAMP 12	2	2	2					
34	1	124766-59050	CLAMP 12	2	2	2					
35	1	124766-59050	CLAMP 12	2	2	2					
36	1	172422-78760	GROMMET	1	1	1					
37	1	22137-080000	WASHER 8, POLISHED	1	1	1					
38	1	22217-080000	WASHER, 8	1	1	1					
39	1	23061-050500	PIPE 5X500, VINYL	1	1	1					
40	1	26013-060122	BOLT M 6X 12	4	4	4					
41	1	26013-100162	BOLT M10X 16	1	1	1					
42	1	26014-060162	BOLT M 6X 16	2	2	2					
43	1	26014-100162	BOLT M10X16	2	2	2					
43-1	1	26013-100162	BOLT M10X 16	2	2	2					N
				(A=M90528)	(B=M90528)	(C=M90528)					
44	1	26116-080802	BOLT M 8X 80 PLATED	1	1	1					
45	1	194202-56460	BAND	1	1	1					
46	1	22137-100000	WASHER 10, POLISHED	2	2	2					W
				(A=M90528)	(B=M90528)	(C=M90528)					

Fig.13. ELECTRIC PART(ENGINE)



(A)=VIO80(US)
(B)=VIO80(AS)
(C)=VIO80(NZ)

(D)=
(E)=
(F)=

REF.	LEV.	PARTS NO.	DESCRIPTION	QTY						I	R
				(A)	(B)	(C)	(D)	(E)	(F)		
1	1	172A69-16100	CORD ASSY BATTERY	1	1	1					
5	1	172A89-16500	HARNESS,A ASSY	1	1	1					
7	2	172A65-16550	FUSE,SLOW BLOW 60A	1	1	1					
8	2	172648-16600	DIODE	2	2	2					
9	2	172A69-16710	FUSE,SLOW BLOW 60A	2	2	2					
11	2	198153-51700	BLOW 79A,SLOW CMP	1	1	1					
14	1	172126-16540	CLAMP 10X70	1	1	1					
15	1	172126-16540	CLAMP 10X70	1	1	1					
16	1	172A65-16540	HARNESS C	1	1	1					
17	1	172137-16560	BAND	2	2	2					
18	1	172187-16600	CODE, ENGINE EARTH	1	1	1					
19	1	172A69-16680	COLLAR	1	1	1					
20	1	172A69-16700	BRACKET,SWP 2P-M	1	1	1					
21	1	26716-060002	NUT 6	1	1	1					
22	1	172A89-16750	SUPPORT ASSY,A	1	1	1					
23	1	172A89-16770	CLAMP,HARNESS	1	1	1					
24	1	172A89-16790	STAY,HARNESS	1	1	1					
25	1	172A89-16800	SUPPORT,HARNESS B	1	1	1					
26	1	194202-56460	BAND	3	3	3					
27	1	129927-77900	RELAY	1	1	1					
28	1	129927-77910	BRACKET, CONNECTOR	1	1	1					
29	1	1E8775-84120	BAND CLAMP	1	1	1					
30	1	22137-060000	WASHER 6, POLISHED	2	2	2					
31	1	22217-060000	SPRING WASHER 6	1	1	1					
32	1	26013-060162	BOLT M 6X 16	1	1	1					
33	1	26013-080162	BOLT W/WASHER M8X16	1	1	1					
34	1	26013-080162	BOLT W/WASHER M8X16	2	2	2					
35	1	26013-080162	BOLT W/WASHER M8X16	1	1	1					
36	1	26013-080852	BOLT M 8X 85	1	1	1					
37	1	26013-100162	BOLT M10X 16	2	2	2					
38	1	26013-100162	BOLT M10X 16	1	1	1					
39	1	26013-100202	BOLT W/WASHER M10X20	2	2	2					
40	1	26014-100162	BOLT M10X16	2	2	2					
41	1	26014-100162	BOLT M10X16	1	1	1					
42	1	26023-060122	SCREW, M6X12	2	2	2					
43	1	26051-080002	NUT M 8	1	1	1					
44	1	26014-080162	BOLT M 8X 16	1	1	1					

Fig.14. ELECTRIC PART(CONTROL VALVE PLATE)

(A)=VIO80(US)
 (B)=VIO80(AS)
 (C)=VIO80(NZ)

(D)=
 (E)=
 (F)=

REF.	LEV.	PARTS NO.	DESCRIPTION	Q'TY						I	R
				(A)	(B)	(C)	(D)	(E)	(F)		
1	1	172A69-16551	HARNES,D ASSY	1	1	1					
5	1	194202-56460	BAND	1	1	1					
6	1	194151-57100	HORN	1	1	1					
7	1	1E8775-84120	BAND CLAMP	1	1	1					
8	1	26013-060122	BOLT M 6X 12	2	2	2					

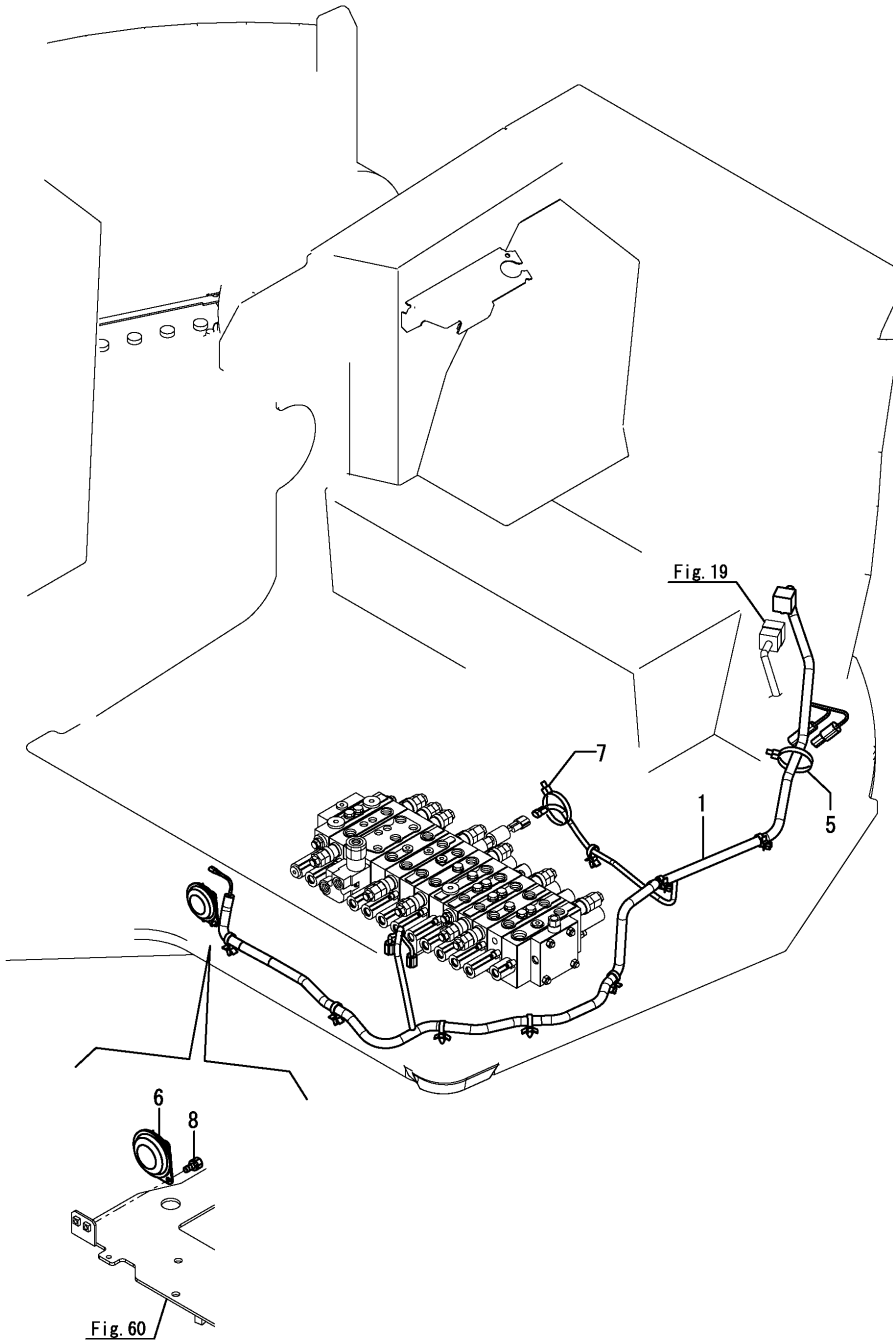
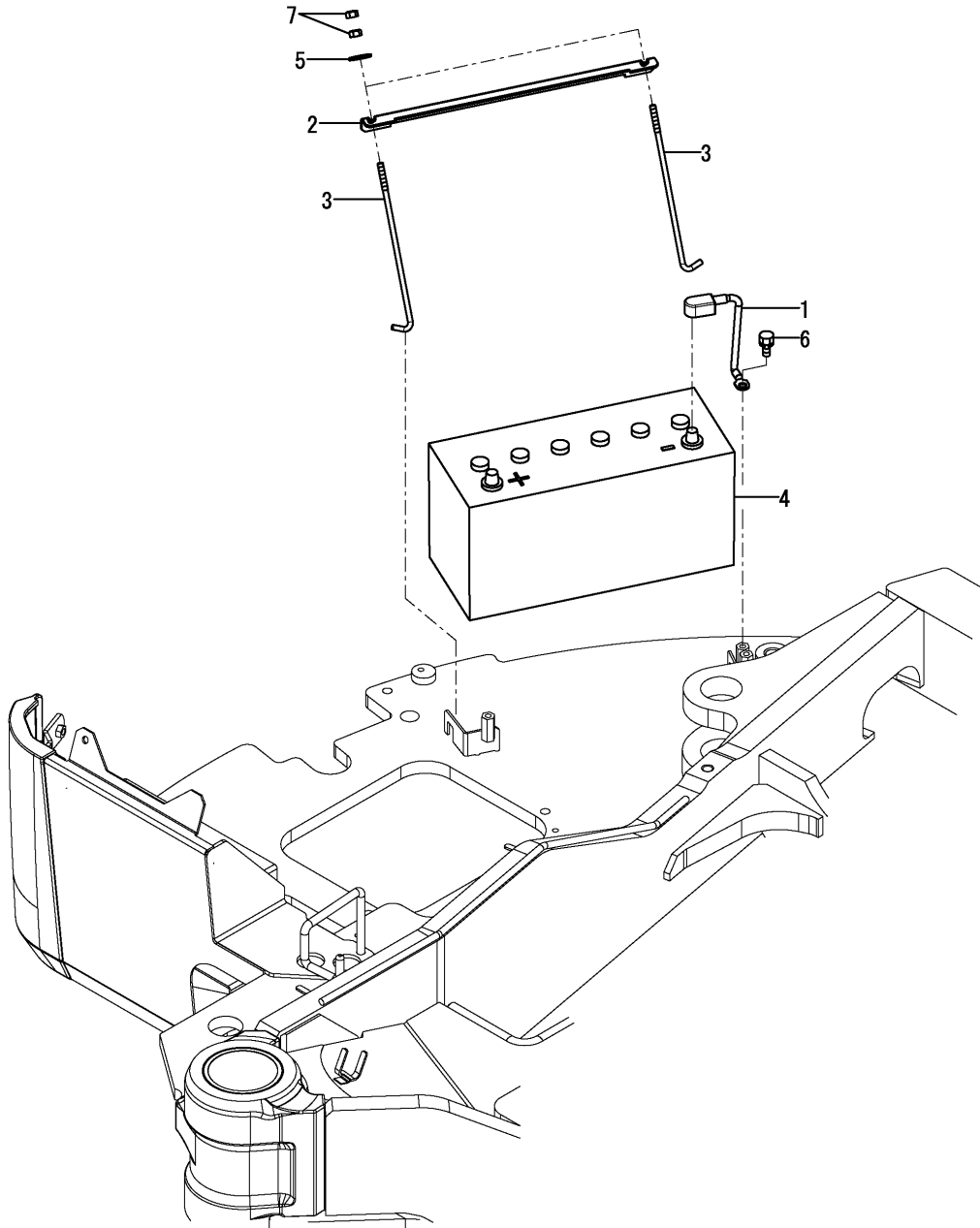


Fig.15. ELECTRIC PART(BATTERY)



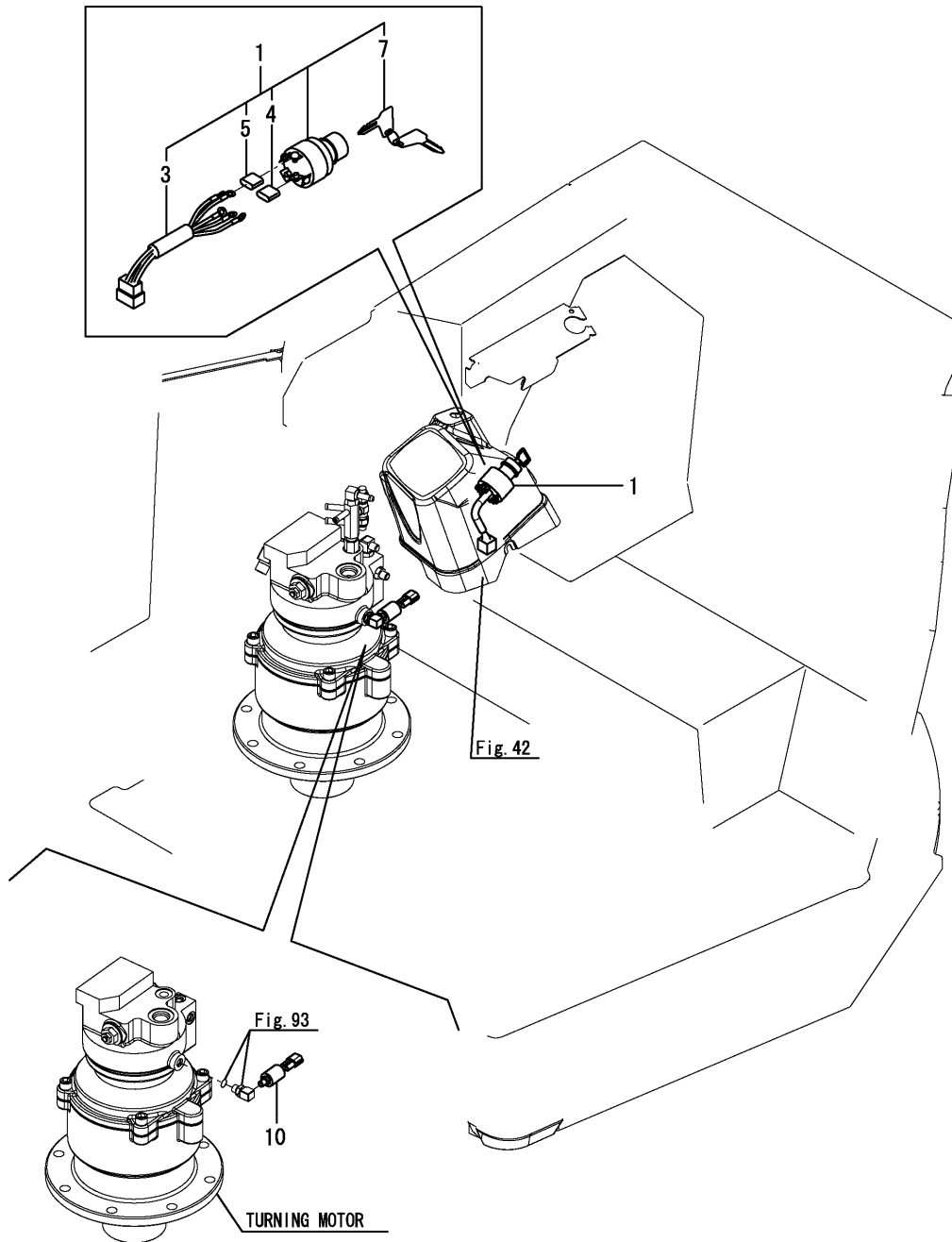
OCS10-G55700 15. ELECTRIC PART(BATTERY)

(A)=VIO80(US)
 (B)=VIO80(AS)
 (C)=VIO80(NZ)

(D)=
 (E)=
 (F)=

REF.	LEV.	PARTS NO.	DESCRIPTION	Q'TY						I	R
				(A)	(B)	(C)	(D)	(E)	(F)		
1	1	172187-16110	CODE, BATTERY -	1	1	1					
2	1	172112-16201	RETAINER, BATTERY	1	1	1					
3	1	172164-16370	ROD	2	2	2					
4	1	1E8080-83320	BATTERY 130E41R	1	1	1					
5	1	22157-080000	WASHER 8	2	2	2					
6	1	26013-100162	BOLT M10X 16	1	1	1					
7	1	26716-080002	NUT M 8	4	4	4					

Fig.16. ELECTRIC PART(STARTING SWITCH)



OCS10-G55700 16. ELECTRIC PART(STARTING SWITCH)

(A)=VIO80(US)
 (B)=VIO80(AS)
 (C)=VIO80(NZ)

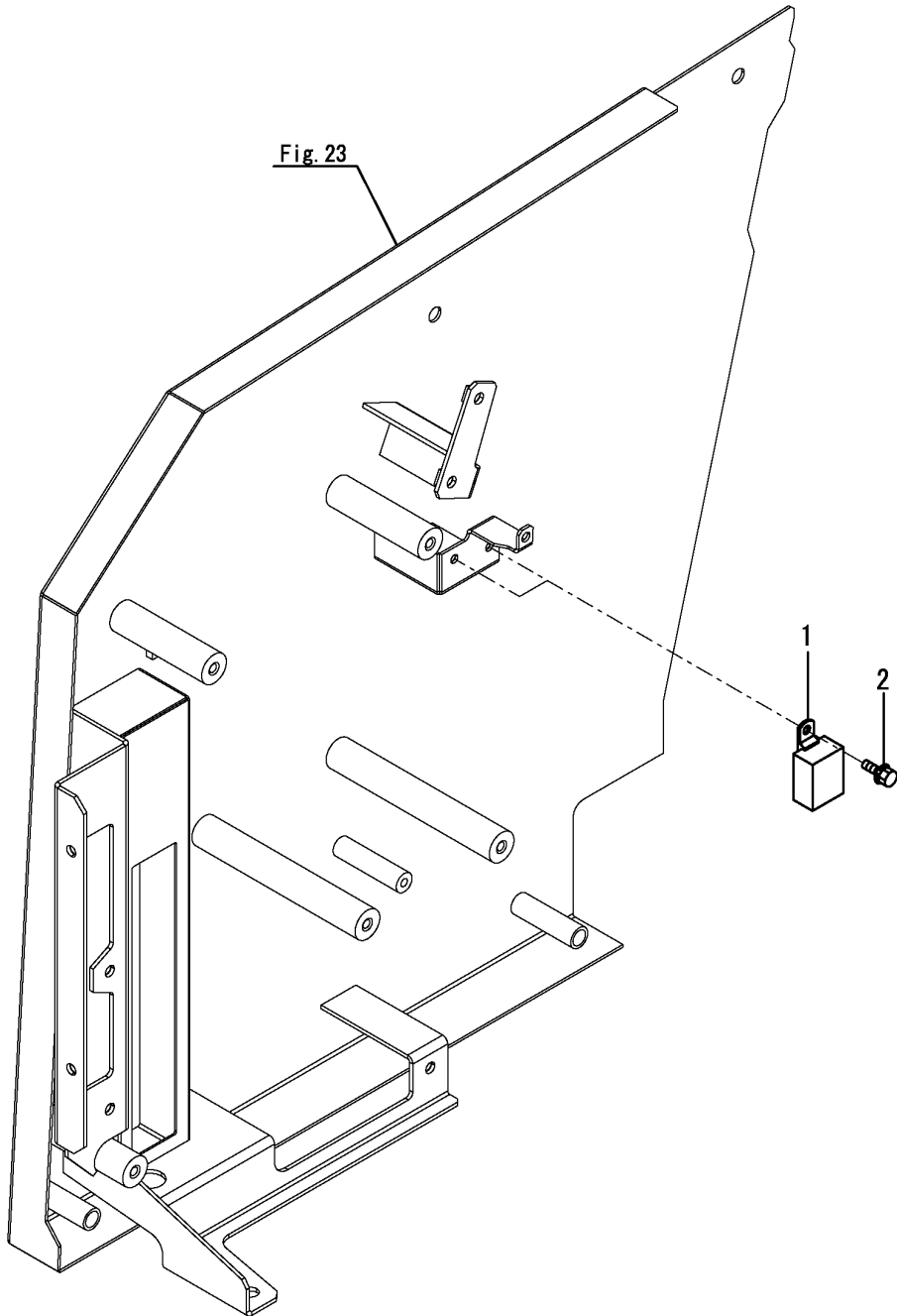
(D)=
 (E)=
 (F)=

REF.	LEV.	PARTS NO.	DESCRIPTION	QTY						I	R
				(A)	(B)	(C)	(D)	(E)	(F)		
1	1	172187-17100	SWITCH, START	1	1	1					
3	3	172187-17070	CODE	1	1	1					
4	3	172187-17080	COVER M5	3	3	3					
5	3	172187-17090	COVER M4	2	2	2					
7	2	933110-00301	KEY ASSY	1	1	1					
10	1	172478-17201	PRESSER SWITCH,ASSY	1	1	1					

Fig.17. ELECTRIC PART(AIR CONDITIONER)

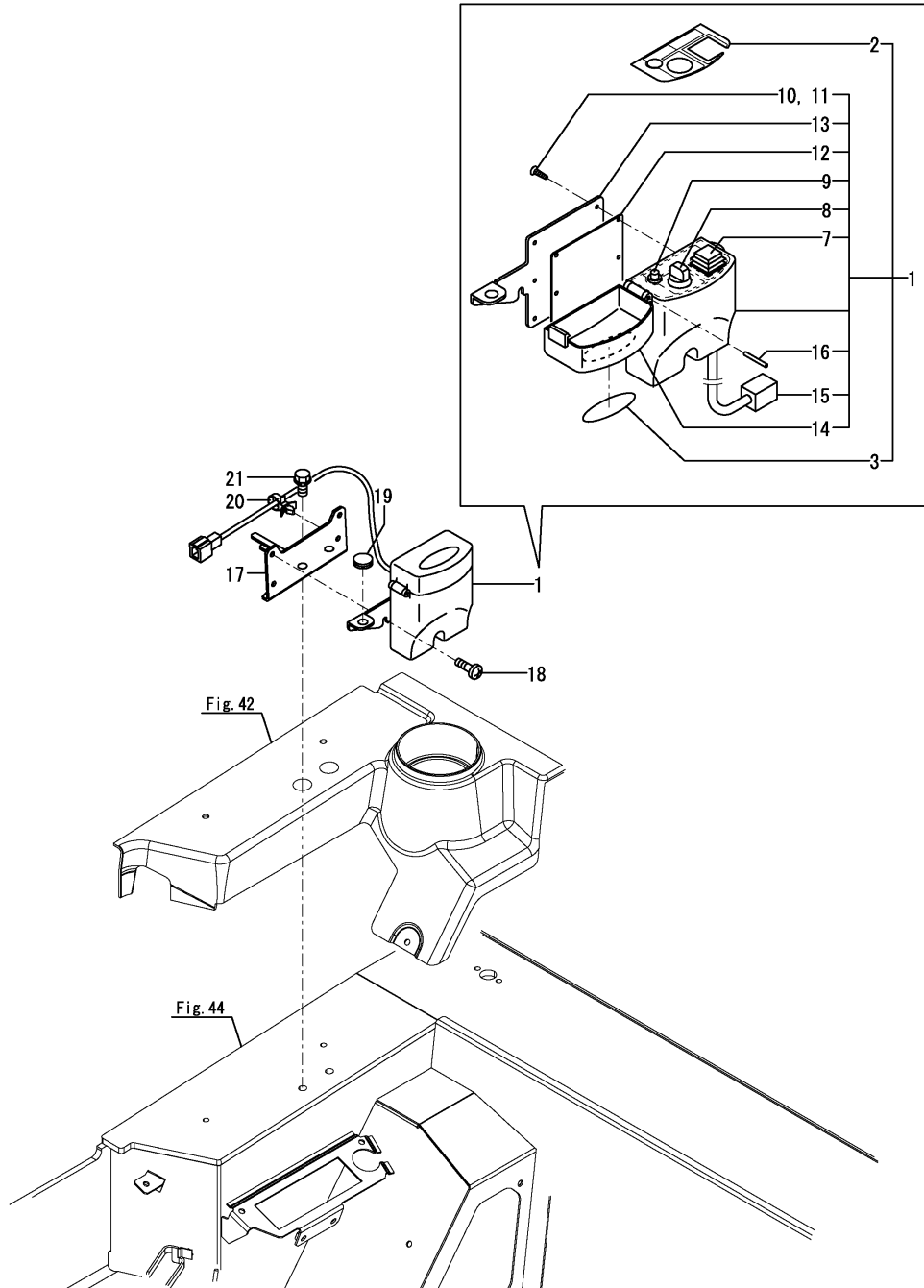
(A)=VIO80(US)
 (B)=VIO80(AS)
 (C)=VIO80(NZ)

(D)=
 (E)=
 (F)=



REF.	LEV.	PARTS NO.	DESCRIPTION	QTY						I	R
				(A)	(B)	(C)	(D)	(E)	(F)		
1	1	198461-52950	RELAY CA,TYPE C	2	2	2					
2	1	26014-060162	BOLT M 6X 16	2	2	2					

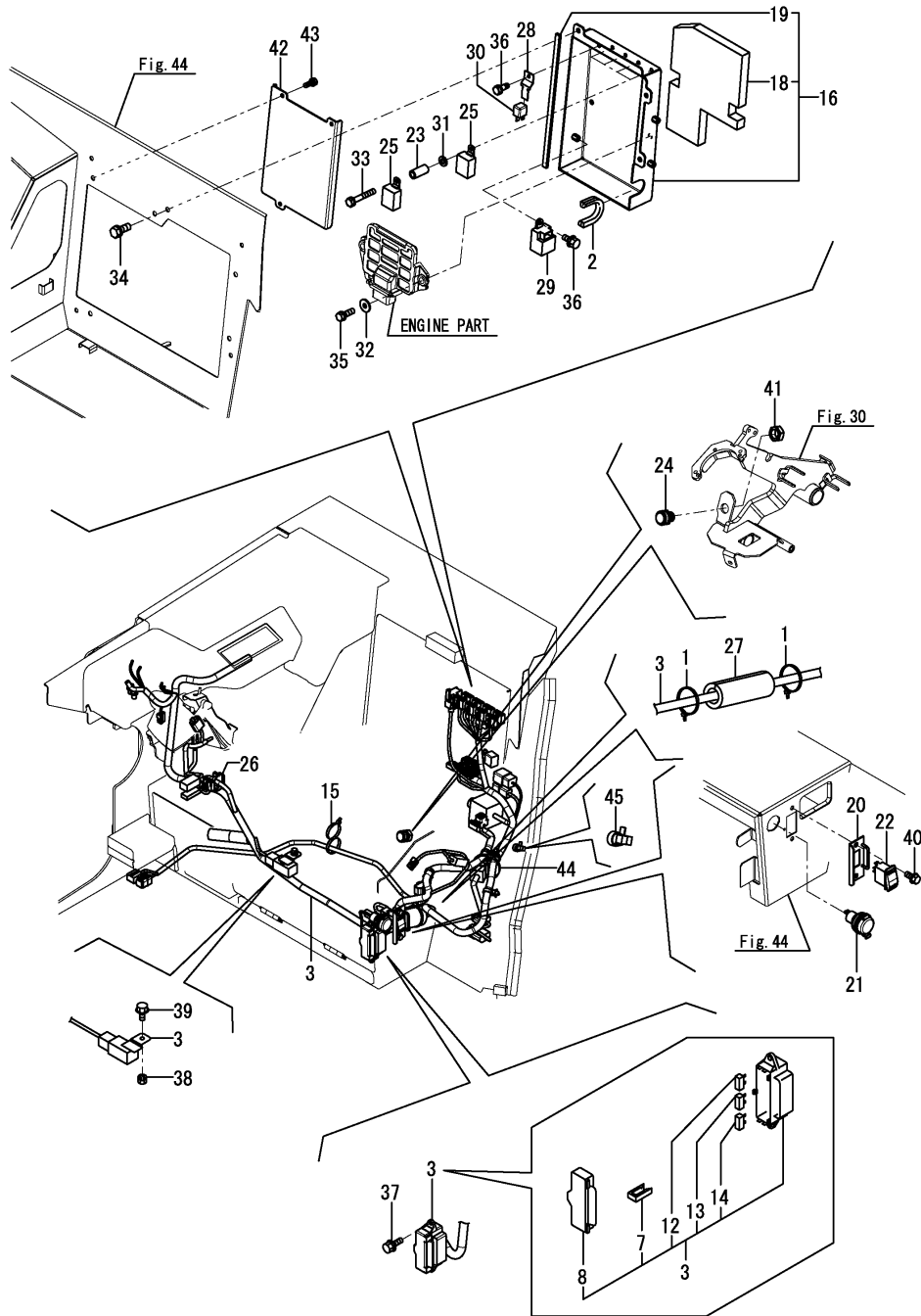
Fig.18. ELECTRIC PART(SWITCH BOX : QUICK COUPLER)



(A)=VIO80(US) (D)=
 (B)=VIO80(AS) (E)=
 (C)=VIO80(NZ) (F)=

REF.	LEV.	PARTS NO.	DESCRIPTION	QTY						I	R
				(A)	(B)	(C)	(D)	(E)	(F)		
1	1	172958-17110	SWITCH BOX(EX	1	1	1					
2	2	172472-03290	LABEL,SWITCH	1	1	1					
3	2	172472-03300	LABEL,COVER	1	1	1					
7	3	172958-17140	SWITCH ASSY(GENERA	1	1	1					
8	3	172958-17150	SWITCH ASSY(COTROLER	1	1	1					
9	3	172958-17160	INDICATER LAMP(CP	1	1	1					
10	3	172958-17170	TAPPING SCREWS	6	6	6					
11	3	172958-17180	TAPPING SCREWS	2	2	2					
12	3	172958-17190	PACKING	1	1	1					
13	3	172958-17200	BRACKET	1	1	1					
14	3	172958-17210	CASE, UPPER	1	1	1					
15	3	172958-17220	CODE CP 4P	1	1	1					
16	3	22351-030028	SPRING PIN 3X28	1	1	1					
17	1	172A89-17150	QH BRACKET ASSY	1	1	1					
18	1	172137-46210	SCREW	2	2	2					
19	1	172187-64900	PLUG	1	1	1					
20	1	1E8775-84120	BAND CLAMP	1	1	1					
21	1	26013-100202	BOLT W/WASHER M10X20	2	2	2					

Fig.19. ELECTRIC PART(SEAT MOUNT)



(A)=VIO80(US)

(B)=VIO80(AS)

(C)=VIO80(NZ)

(D)=

(E)=

(F)=

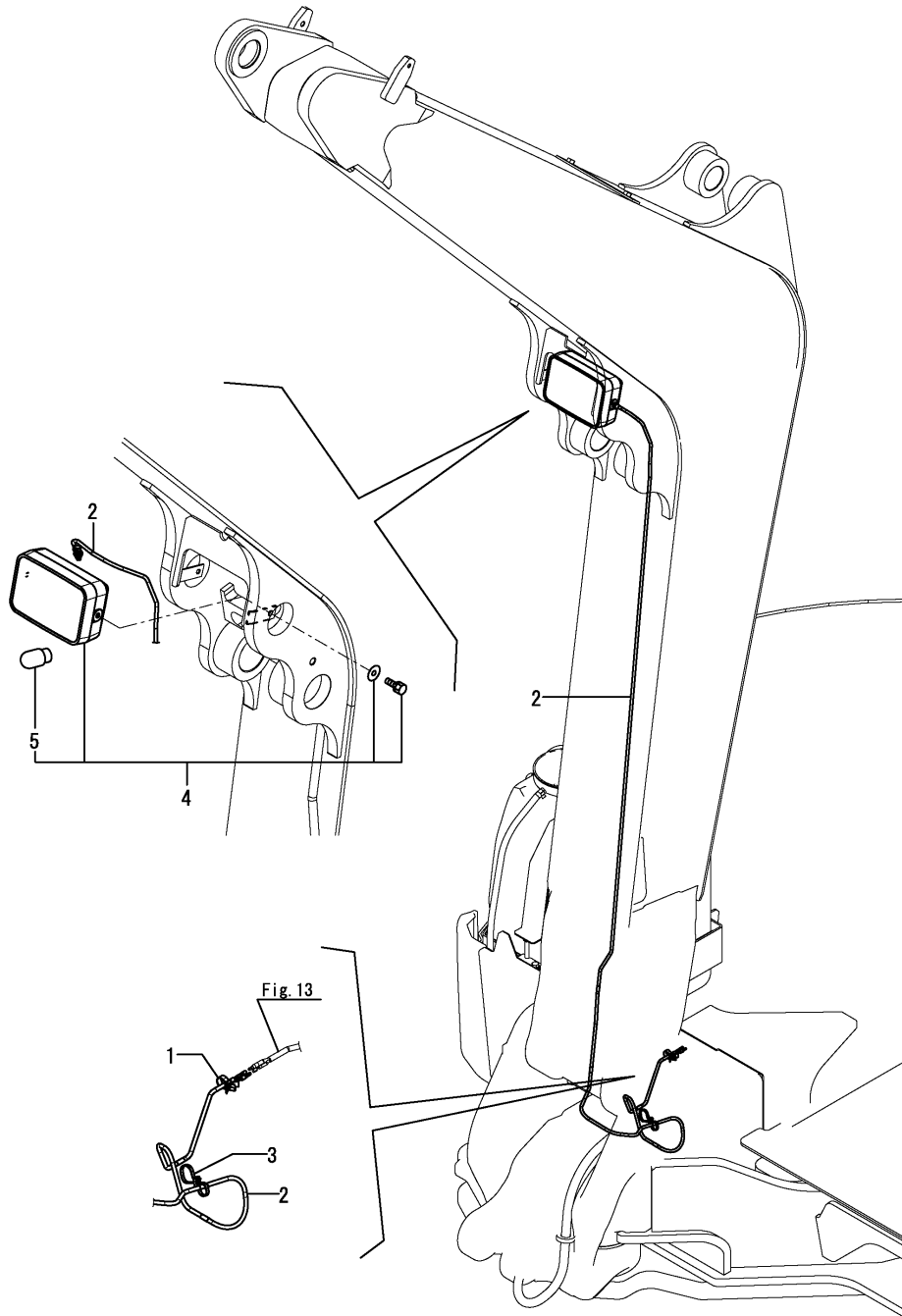
REF.	LEV.	PARTS NO.	DESCRIPTION	QTY						I	R
				(A)	(B)	(C)	(D)	(E)	(F)		
1	1	172126-11510	BAND 300	2	2	2					
2	1	172456-13470	RUBBER 100	1	1	1					
3	1	172A89-16550	HARNESS,B ASSY(EX	1	1	1					
7	2	172175-17120	PULLER	1	1	1					
8	2	172187-17220	COVER	1	1	1					
12	2	29420-050000	FUSE, 5A	2	2	2					
13	2	29420-100000	FUSE, 10A	5	5	5					
14	2	29420-300000	FUSE B30	3	3	3					
15	1	172137-16560	BAND	1	1	1					
16	1	172A89-17090	BOX A ASSY,CONTROLER	1	1	1					
18	2	172A69-17140	EV,CONTROLER BOX A	1	1	1					
19	2	172487-61460	SEAL,MULTI COVER	1	1	1					
20	1	172A89-17180	PLATE ASSY,SWITCH	1	1	1					
21	1	172A64-17250	SOCKET ASSY	1	1	1					
22	1	172A69-17260	SWITCH, ENGINE STOP	1	1	1					
23	1	172A65-17480	COLLER	4	4	4					
24	1	194464-52190	SWITCH, SAFETY START	1	1	1					
25	1	198461-52950	RELAY CA,TYPE C	8	8	8					
26	1	194202-56460	BAND	1	1	1					
27	1	172445-68650	SPONGE	1	1	1					
28	1	129927-77910	BRACKET, CONNECTOR	1	1	1					
29	1	124970-77920	TIMER	1	1	1					
30	1	129927-77920	RELAY	1	1	1					
31	1	22137-060000	WASHER 6, POLISHED	4	4	4					
32	1	22157-080000	WASHER 8	2	2	2					
33	1	26013-060402	BOLT M 6X 40	4	4	4					
34	1	26013-080162	BOLT W/WASHER M8X16	3	3	3					
35	1	26013-080252	BOLT M 8X 25	2	2	2					
36	1	26014-060162	BOLT M 6X 16	2	2	2					
37	1	26014-060162	BOLT M 6X 16	2	2	2					
38	1	26051-080002	NUT M 8	1	1	1					
39	1	26106-080162	BOLT M 8X 16 PLATED	1	1	1					
40	1	26106-080162	BOLT M 8X 16 PLATED	2	2	2					
41	1	26776-180002	NUT M18,LOCK	1	1	1					
42	1	172A89-17500	COVER B ASSY,BOX	1	1	1					
43	1	26013-080162	BOLT W/WASHER M8X16	3	3	3					
44	1	172126-11510	BAND 300	1	1	1					
45	1	1E8775-84120	BAND CLAMP	1	1	1					

Fig.20. ELECTRIC PART(WORK LAMP)

OCS10-G55700 20. ELECTRIC PART(WORK LAMP)

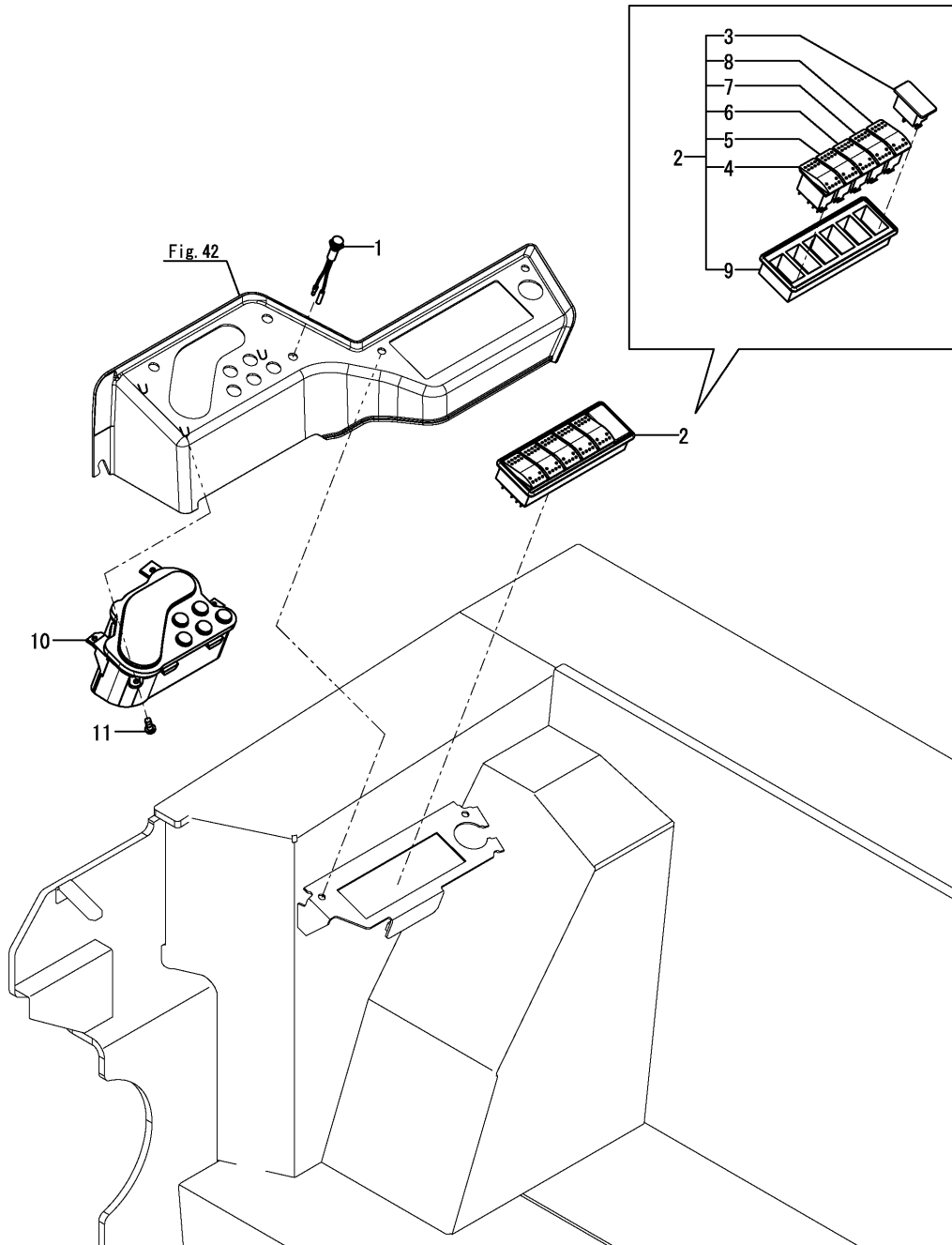
(A)=VIO80(US)
 (B)=VIO80(AS)
 (C)=VIO80(NZ)

(D)=
 (E)=
 (F)=



REF.	LEV.	PARTS NO.	DESCRIPTION	QTY						I	R
				(A)	(B)	(C)	(D)	(E)	(F)		
1	1	1E8775-84120	BAND CLAMP	1	1	1					
2	1	172A89-16440	HARNES,BOOM	1	1	1					
3	1	172137-16560	BAND	1	1	1					
4	1	172162-17400	LAMP COMP.,WORKING	1	1	1					
5	2	172141-17211	BULB 12V55W	1	1	1					

Fig.21. ELECTRIC PART(INDICATOR BOX)



OCS10-G55700 21. ELECTRIC PART(INDICATOR BOX)

(A)=VIO80(US)
(B)=VIO80(AS)
(C)=VIO80(NZ)

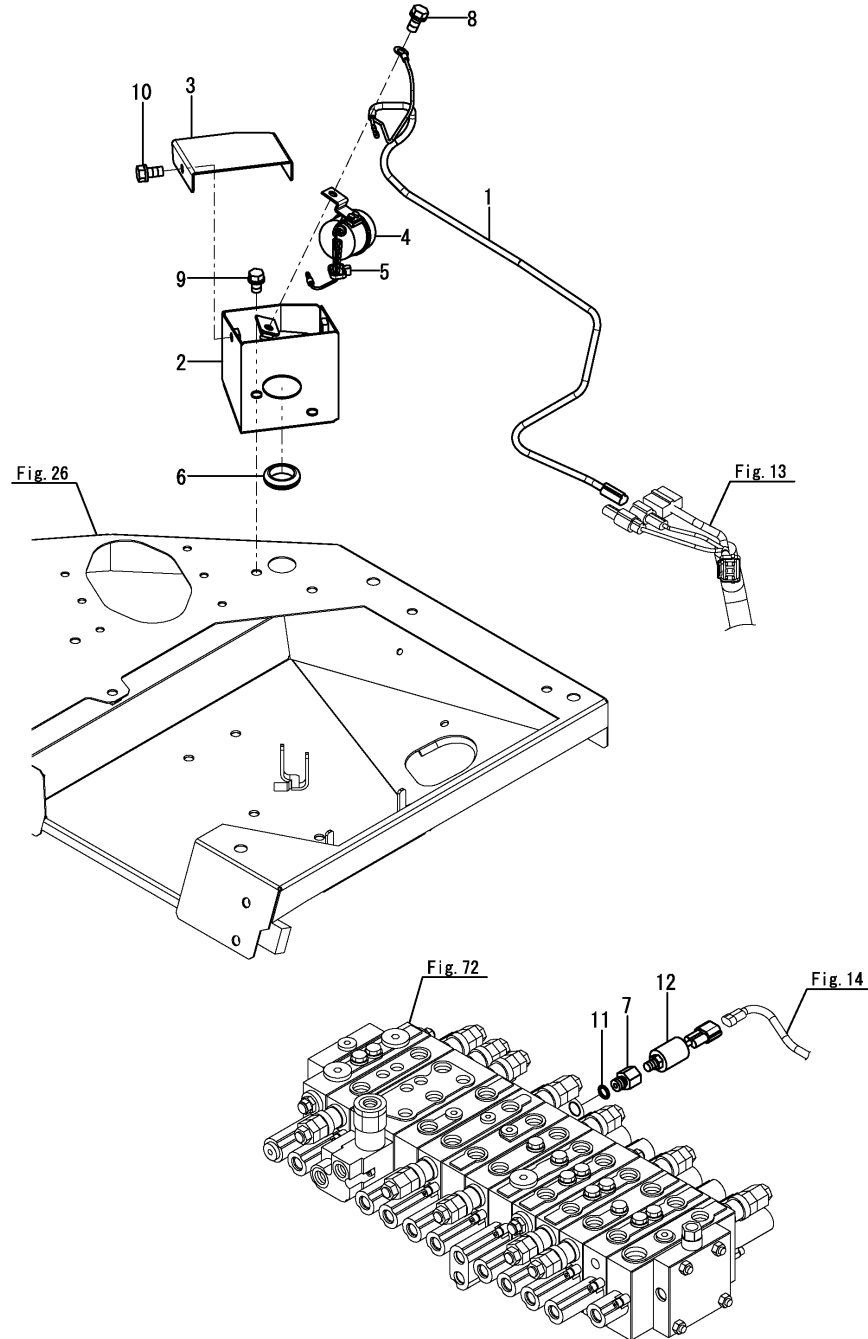
(D)=
(E)=
(F)=

REF.	LEV.	PARTS NO.	DESCRIPTION	QTY						I	R
				(A)	(B)	(C)	(D)	(E)	(F)		
1	1	172A65-17150	LAMP ASSY ASSY	1	1	1					
2	1	172A69-17200	SWITCH ASSY	1	1	1					
2-1	1	172A69-17201	SWITCH ASSY	1	1	1					N
		(A=MZZZZZ) (B=MZZZZZ) (C=MZZZZZ)									
3	2	172538-17100	PANEL PLUG	1	1	1					
4	2	172A69-17210	SWITCH, TRAVLE	1	1	1					
4-1	2	172A69-17211	SWITCH, TRAVLE	1	1	1					N
		(A=MZZZZZ) (B=MZZZZZ) (C=MZZZZZ)									
5	2	172A69-17220	SWITCH, WIPER	1	1	1					
5-1	2	172A69-17221	SWITCH, WIPER	1	1	1					N
		(A=MZZZZZ) (B=MZZZZZ) (C=MZZZZZ)									
6	2	172A69-17230	SWITCH, LIGHT	1	1	1					
6-1	2	172A69-17231	SWITCH, LIGHT	1	1	1					N
		(A=MZZZZZ) (B=MZZZZZ) (C=MZZZZZ)									
7	2	172A69-17240	SWITCH, AUTO DECEL	1	1	1					
8	2	172A69-17250	SWITCH, ECO	1	1	1					
9	2	172A69-17270	PANEL	1	1	1					
10	1	172A77-17250	MONITOR ASSY	1	1	1					
11	1	22857-500121	SCREW 5X12	3	3	3					

Fig.22. TRAVEL ALARM

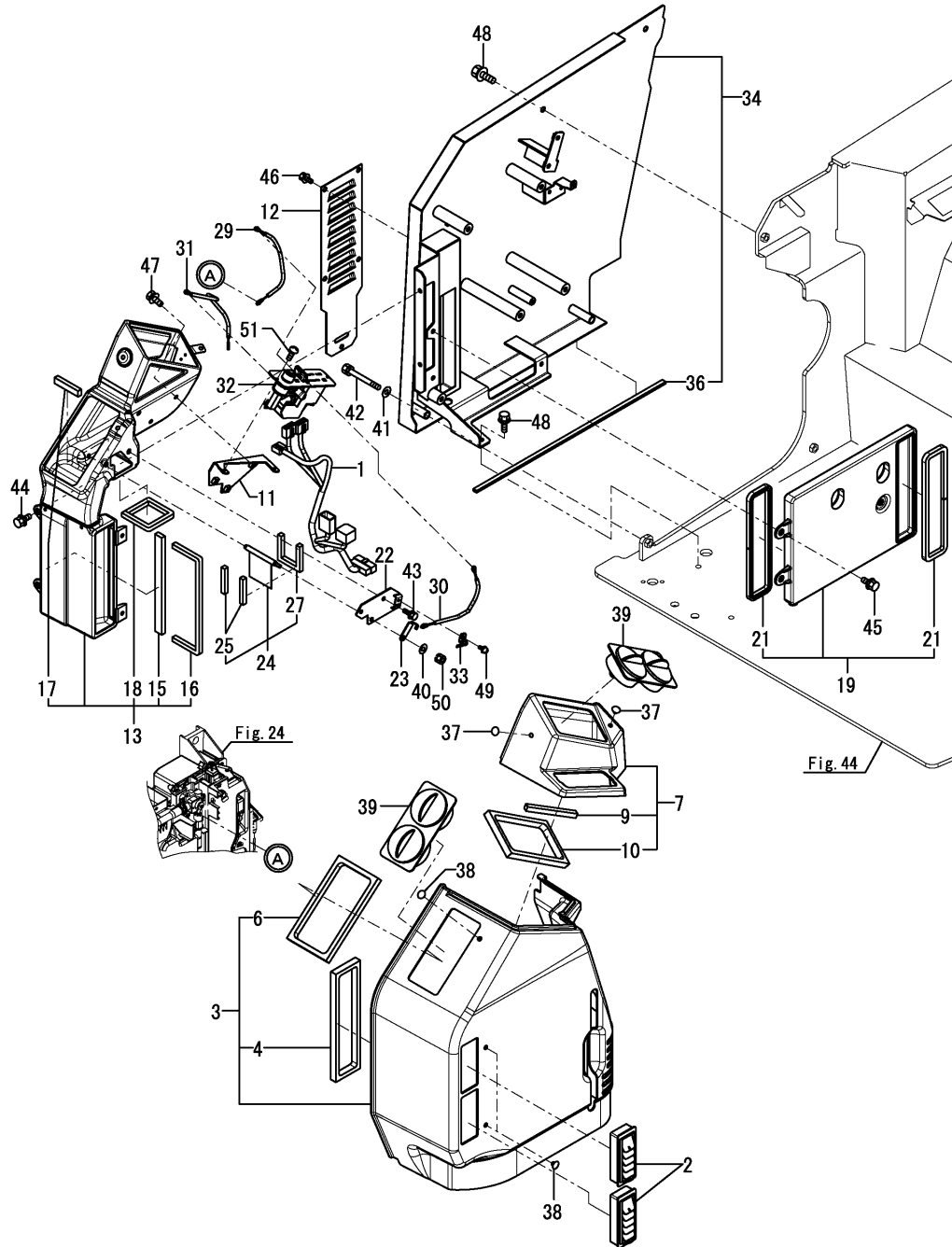
(A)=VIO80(US)
 (B)=VIO80(AS)
 (C)=VIO80(NZ)

(D)=
 (E)=
 (F)=



REF.	LEV.	PARTS NO.	DESCRIPTION	QTY						I	R
				(A)	(B)	(C)	(D)	(E)	(F)		
1	1	172A89-16420	HARNES, TRAVEL	1	1	1					
2	1	172A89-16810	COVER CMP,BUZZER(49)	1	1	1					
3	1	172A89-16870	COVER,BUZZER (49)	1	1	1					
4	1	172511-17351	BUZZER, BACK	1	1	1					
5	1	194202-56460	BAND	1	1	1					
6	1	172137-66230	GROMMET	1	1	1					
7	1	172156-76110	CONNECTOR	1	1	1					
8	1	26013-080162	BOLT W/WASHER M8X16	1	1	1					
9	1	26013-100162	BOLT M10X 16	2	2	2					
10	1	26013-080162	BOLT W/WASHER M8X16	2	2	2					
11	1	41851-000110	PACKING, 11.0	1	1	1					
12	1	172478-17201	PRESSER SWITCH,ASSY	1	1	1					

Fig.23. AIR CONDITIONER(CABIN RELATED)

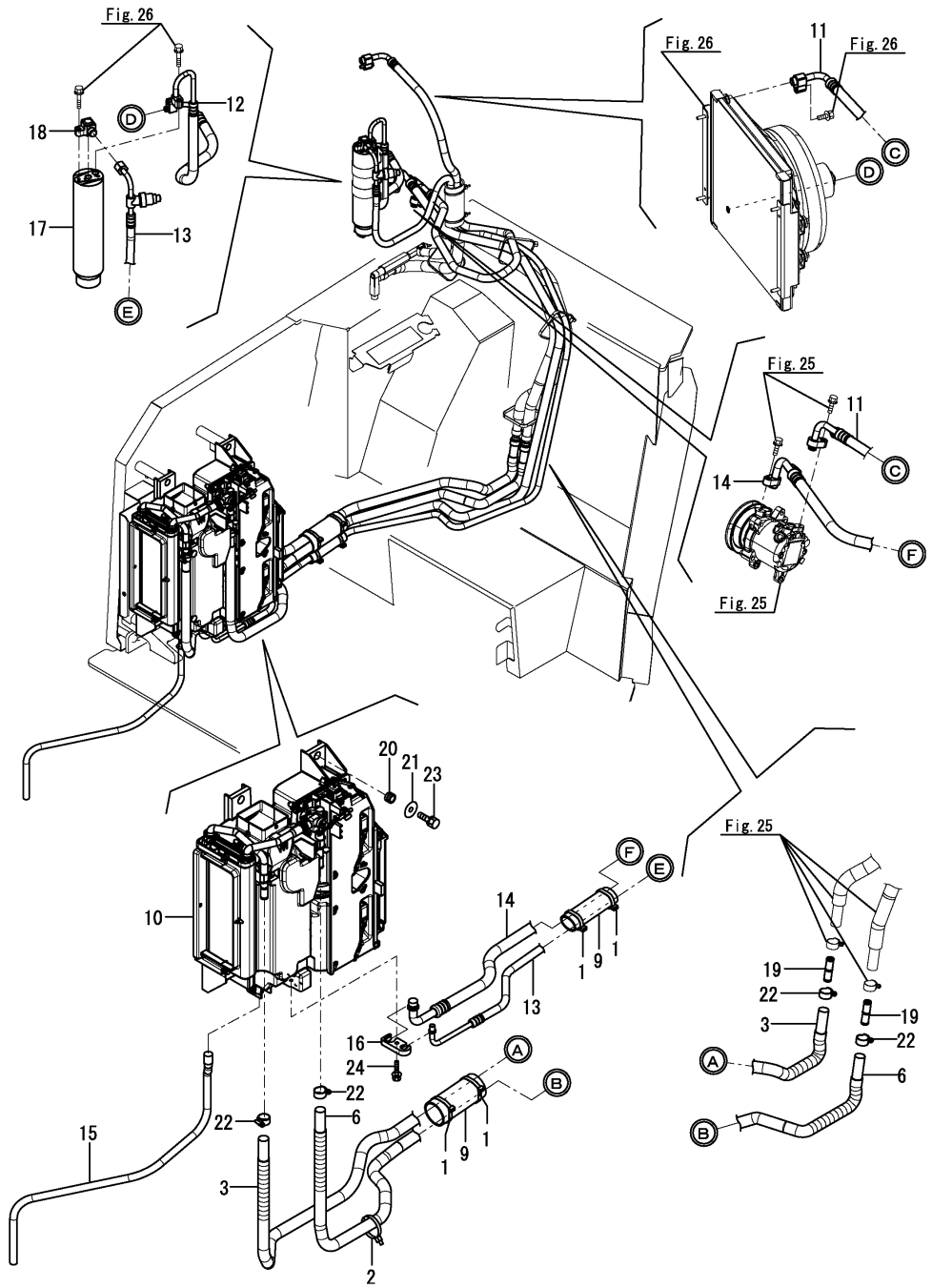


(A)=VIO80(US)
(B)=VIO80(AS)
(C)=VIO80(NZ)

(D)=
(E)=
(F)=

REF.	LEV.	PARTS NO.	DESCRIPTION	QTY						I	R
				(A)	(B)	(C)	(D)	(E)	(F)		
1	1	172A89-16600	HARNES B,AIR	1	1	1					
2	1	172458-17700	GRILLE	2	2	2					
3	1	172A69-18200	COVER ASSY,AC A	1	1	1					
4	2	172A69-18210	SEAL,DUCT	1	1	1					
6	2	1A7470-87320	SEAL, DUCT SIDE	1	1	1					
7	1	172A69-18230	COVER ASSY,AC B	1	1	1					
9	2	172446-49280	SEAL	1	1	1					
10	2	1A7470-87320	SEAL, DUCT SIDE	1	1	1					
11	1	172A69-18650	BRACKET ASSY,AC	1	1	1					
12	1	172A69-18680	INTAKE PLATE (49)	1	1	1					
13	1	172A69-18700	DUCT ASSY,AC	1	1	1					
15	2	172A69-18760	SEAL A,DUCT	1	1	1					
16	2	172A69-18770	SEAL B,DUCT	1	1	1					
17	2	172A69-18780	EV,DUCT	1	1	1					
18	2	172A69-18790	SEAL C,DUCT	1	1	1					
19	1	172A69-18730	DUCT C ASSY,AC	1	1	1					
21	2	172A69-18750	SEAL,DUCT C	2	2	2					
22	1	172A69-18820	COVER ASSY,DUCT	1	1	1					
23	1	172A69-18860	LEVER,DUMPER	1	1	1					
24	1	172A69-18940	DUMPER ASSY	1	1	1					
25	2	172A69-18800	SEAL 65	2	2	2					
27	2	172A69-18990	EV B,DUMPER	1	1	1					
29	1	172A69-19700	CABLE,HEATER V	1	1	1					
30	1	172A89-19710	CABLE,AC DAMPER	1	1	1					
31	1	172A69-19720	CABLE,AC DOOR	1	1	1					
32	1	172A69-19730	CONTROL ASSY	1	1	1					
33	1	172A69-19890	CLAMP,CABLE	1	1	1					
34	1	172A89-19100	BRACKET ASSY,ACU(49)	1	1	1					
36	2	172458-64140	SEAL 560	1	1	1					
37	1	172187-63160	CLIP	2	2	2					
38	1	1A6260-64200	CLIP	4	4	4					
39	1	1A7030-87411	AIR-CON GRILL CMP	2	2	2					
40	1	22137-060000	WASHER 6, POLISHED	1	1	1					
41	1	22137-100000	WASHER 10,POLISHED	2	2	2					
42	1	26013-100852	BOLT W/WASHER 10X 85	2	2	2					
43	1	26013-060102	BOLT M 6X 10	2	2	2					
44	1	26014-080162	BOLT M 8X 16	4	4	4					
45	1	26014-080162	BOLT M 8X 16	3	3	3					
46	1	26014-080162	BOLT M 8X 16	5	5	5					
47	1	26014-080162	BOLT M 8X 16	3	3	3					
48	1	26014-100252	BOLT 10X25 W/PLW+SPW	3	3	3					
49	1	26023-040102	SCREW, M4X10	1	1	1					
50	1	26051-060002	NUT M 6	1	1	1					
51	1	26587-040122	SCREW, M4X12	2	2	2					

Fig.24. AIR CONDITIONER(PIPING)

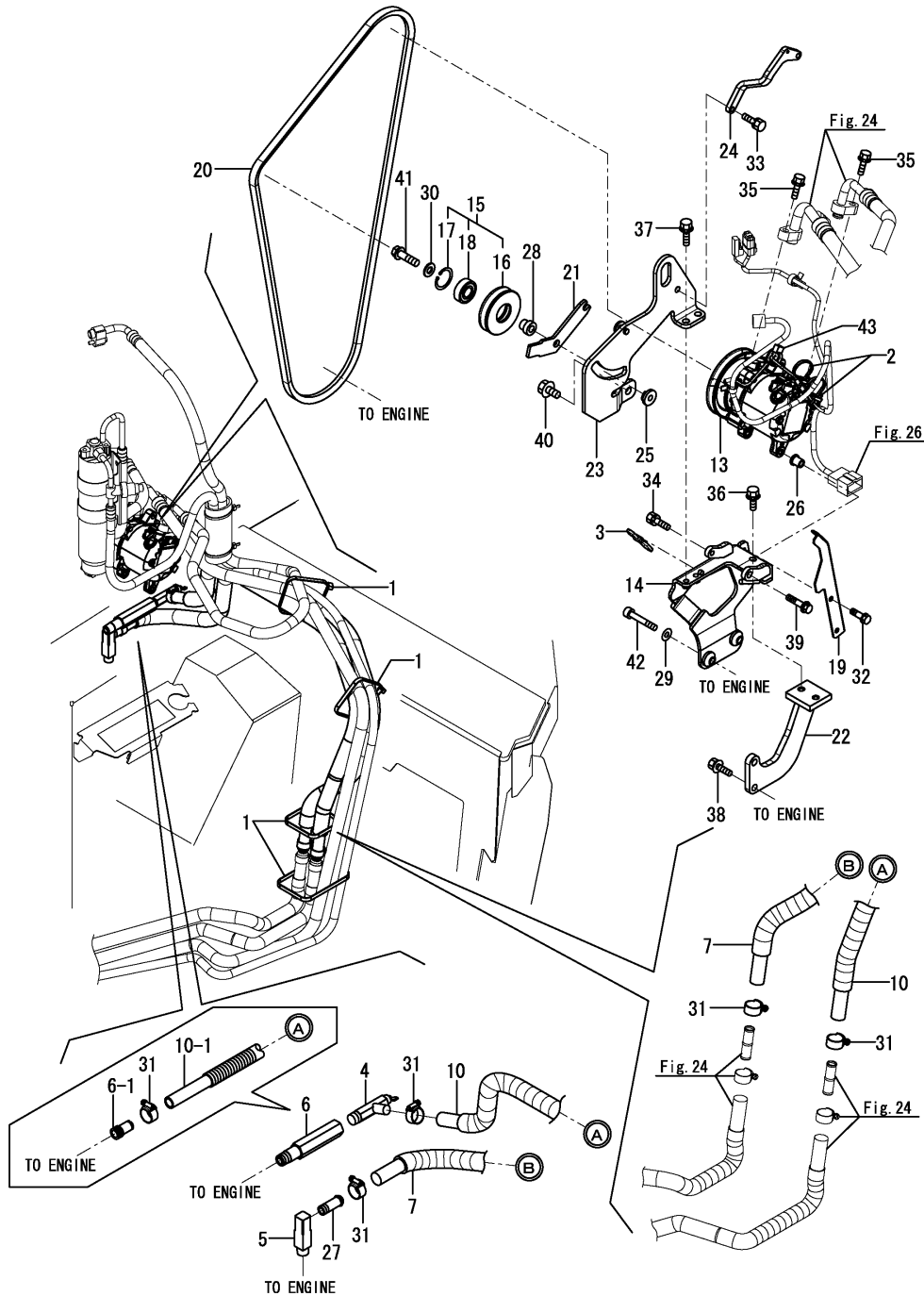


(A)=VIO80(US)
 (B)=VIO80(AS)
 (C)=VIO80(NZ)

(D)=
 (E)=
 (F)=

REF.	LEV.	PARTS NO.	DESCRIPTION	QTY						I	R
				(A)	(B)	(C)	(D)	(E)	(F)		
1	1	172126-11510	BAND 300	4	4	4					
2	1	172126-11510	BAND 300	1	1	1					
3	1	172A69-17870	HOSE ASY,HEATER 1650	1	1	1					
6	1	172A69-17890	HOSE ASY,HEATER 1550	1	1	1					
9	1	172A69-18900	SPONGE HOSE,120X53	2	2	2					
10	1	172A69-19010	UNIT ASSY,AC	1	1	1					
11	1	172A89-19800	HOSE,COMP-COND	1	1	1					
12	1	172A69-19810	HOSE,COND-R/D	1	1	1					
13	1	172A89-19820	HOSE,UNIT-R/D	1	1	1					
14	1	172A89-19830	HOSE,UNIT-COMP	1	1	1					
15	1	172A69-19860	HOSE,DRAIN	1	1	1					
16	1	172A69-19880	CONNECTOR,TUBE	1	1	1					
17	1	1E8545-80210	RECEIVER DRYER	1	1	1					
18	1	1E8545-80250	JOINT (RECEIVER)	1	1	1					
19	1	1A7030-88660	PIPE, JOINT	2	2	2					
20	1	172491-61490	SPACER 10.4X9.5	6	6	6					
21	1	22157-080000	WASHER 8	6	6	6					
22	1	23080-018000	CLAMP 18	4	4	4					
23	1	26013-080252	BOLT M 8X 25	6	6	6					
24	1	26014-060252	BOLT M 6X 25	1	1	1					

Fig.25. AIR CONDITIONER(ENGINE RELATED)



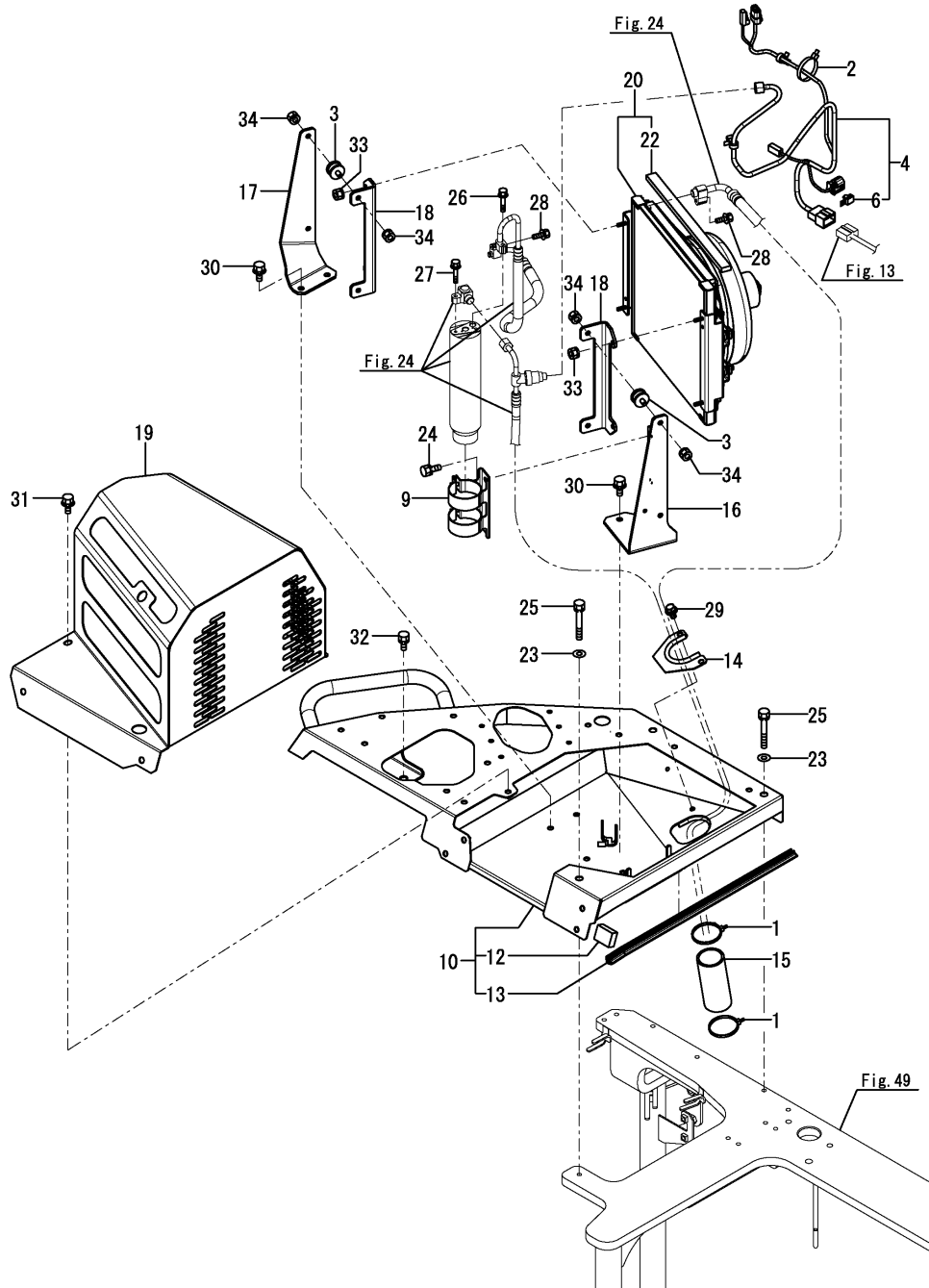
OCS10-G55700 25. AIR CONDITIONER(ENGINE RELATED)

(A)=VIO80(US)
(B)=VIO80(AS)
(C)=VIO80(NZ)

(D)=
(E)=
(F)=

REF.	LEV.	PARTS NO.	DESCRIPTION	QTY						I	R
				(A)	(B)	(C)	(D)	(E)	(F)		
1	1	172126-11510	BAND 300	6	6	6					
2	1	172137-16560	BAND	2	2	2					
3	1	172137-16560	BAND	1	1	1					
4	1	172425-17630	VALVE ASSY, HEATER	1	1	1					Z
		(A=MZZZZZ) (B=MZZZZZ) (C=MZZZZZ)									
5	1	172499-17650	ELBOW,R3/8-56	1	1	1					
6	1	172A65-17650	CONNECTOR	1	1	1					
6-1	1	172124-17640	JOINT 3/8	1	1	1					S
		(A=MZZZZZ) (B=MZZZZZ) (C=MZZZZZ)									
7	1	172A89-17810	HOSE ASY,HEATER 1050	1	1	1					
10	1	172A89-17840	HOSE ASY,HEATER 900	1	1	1					
10-1	1	172A69-17840	HOSE ASY,HEATER 1050	1	1	1					S
		(A=MZZZZZ) (B=MZZZZZ) (C=MZZZZZ)									
13	1	172A69-18100	COMPRESSOR ASSY	1	1	1					
14	1	172A89-18110	BRACKET A ASSY	1	1	1					
15	1	172A69-18150	PULLEY ASSY,TENSION	1	1	1					
16	2	172A69-18160	PULLEY,TENSION	1	1	1					
17	2	22252-000350	CIRCLIP 35	1	1	1					
18	2	24104-062020	BALL BEARING	1	1	1					
19	1	172A89-18150	GUARD,BELT	1	1	1					
20	1	172A69-18190	V BELT HM60	1	1	1					
21	1	172A69-18290	ADJUST BAR	1	1	1					
22	1	172A69-18350	BRACKET B ASSY	1	1	1					
23	1	172A69-18370	BRACKET(PULLY ASSY	1	1	1					
24	1	172A69-18401	PLATE	1	1	1					
25	1	172187-18410	NUT	1	1	1					
26	1	172A69-18430	COLLAR,COMPRESSOR	1	1	1					
27	1	129122-44480	JOINT	1	1	1					
28	1	129466-96240	SPACER	1	1	1					
29	1	22137-080000	WASHER 8, POLISHED	2	2	2					
30	1	22137-100000	WASHER 10,POLISHED	1	1	1					
31	1	23080-018000	CLAMP 18	4	4	4					
32	1	26013-080202	BOLT W/WASHER M8X20	2	2	2					
33	1	26013-080252	BOLT M 8X 25	2	2	2					
34	1	26013-080252	BOLT M 8X 25	1	1	1					
35	1	26014-060252	BOLT M 6X 25	2	2	2					
36	1	26014-080202	BOLT M 8X 20	2	2	2					
37	1	26014-080252	BOLT M 8X 25	2	2	2					
38	1	26014-080252	BOLT M 8X 25	2	2	2					
39	1	26014-080352	BOLT M 8X 35	1	1	1					
40	1	26106-100202	BOLT M10X 20 PLATED	1	1	1					
41	1	26106-100352	BOLT M10X 35 PLATED	1	1	1					
42	1	26450-080502	BOLT 8X50	2	2	2					
43	1	194202-56460	BAND	1	1	1					

Fig.26. AIR CONDITIONER(CONDENSER RELATED)



(A)=VIO80(US)

(B)=VIO80(AS)

(C)=VIO80(NZ)

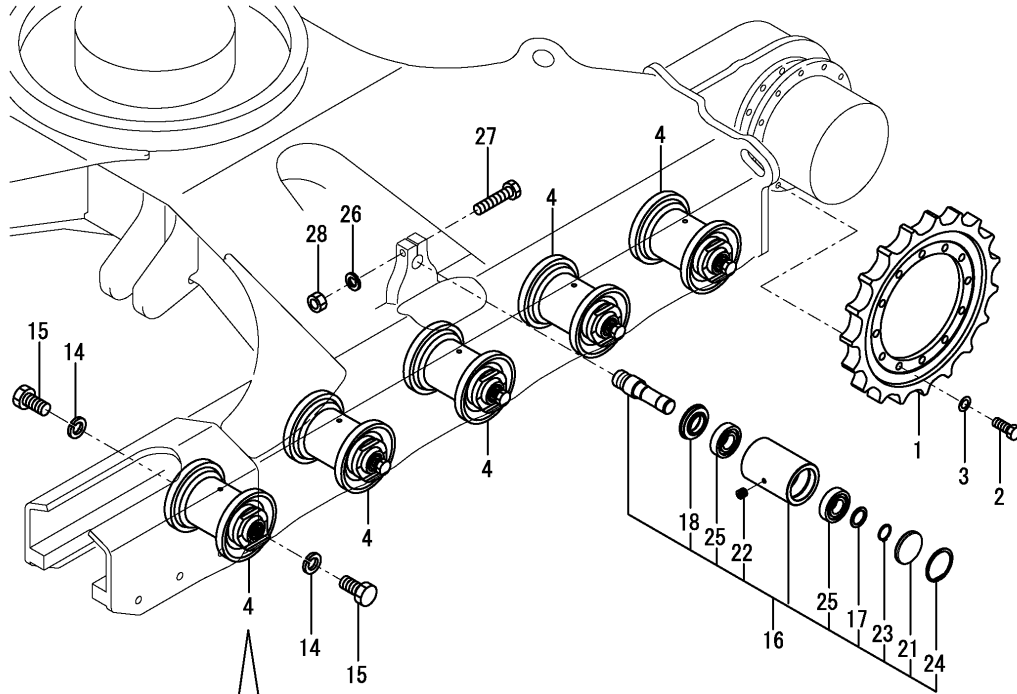
(D)=

(E)=

(F)=

REF.	LEV.	PARTS NO.	DESCRIPTION	QTY						I	R
				(A)	(B)	(C)	(D)	(E)	(F)		
1	1	172126-11510	BAND 300	2	2	2					
2	1	172126-11510	BAND 300	1	1	1					
3	1	172447-13550	MOUNT	4	4	4					
4	1	172A69-16570	HARNES A ASSY,AC	1	1	1					
6	2	172648-16600	DIODE	1	1	1					
9	1	172162-18040	BRACKET	1	1	1					
10	1	172A89-18440	COVER ,AC COND (49)	1	1	1					
12	2	172A89-19690	SEAL ,A	1	1	1					
13	2	172458-61490	RUBBER,SEAL 510	1	1	1					
14	1	172A89-18580	COVER ,AC HOSE (49)	1	1	1					
15	1	172A69-18900	SPONGE HOSE,120X53	1	1	1					
16	1	172A69-19541	STAY L ASSY,AC COND	1	1	1					
17	1	172A69-19581	STAY R,AC COND	1	1	1					
18	1	172A69-19590	BRACKET,AC COND (49)	2	2	2					
19	1	172A89-19610	COVER B,AC COND (49)	1	1	1					
20	1	172A89-19670	COND ,SEAL ASSY	1	1	1					
22	2	172A89-19680	SEAL ,CONDENCER	1	1	1					
23	1	22137-100000	WASHER 10,POLISHED	3	3	3					
24	1	26013-080162	BOLT W/WASHER M8X16	2	2	2					
25	1	26013-100702	BOLT 10X70 W/SP.WSHR	3	3	3					
26	1	26014-060252	BOLT M 6X 25	1	1	1					
27	1	26014-060252	BOLT M 6X 25	1	1	1					
28	1	26014-060302	BOLT W/WASHER 6X 30	2	2	2					
29	1	26014-080162	BOLT M 8X 16	2	2	2					
30	1	26014-100202	BOLT M10X 20	4	4	4					
31	1	26014-100202	BOLT M10X 20	6	6	6					
32	1	26014-100202	BOLT M10X 20	1	1	1					
33	1	26051-060002	NUT M 6	4	4	4					
34	1	26051-080002	NUT M 8	8	8	8					

Fig.27. SPROCKET & ROLLER

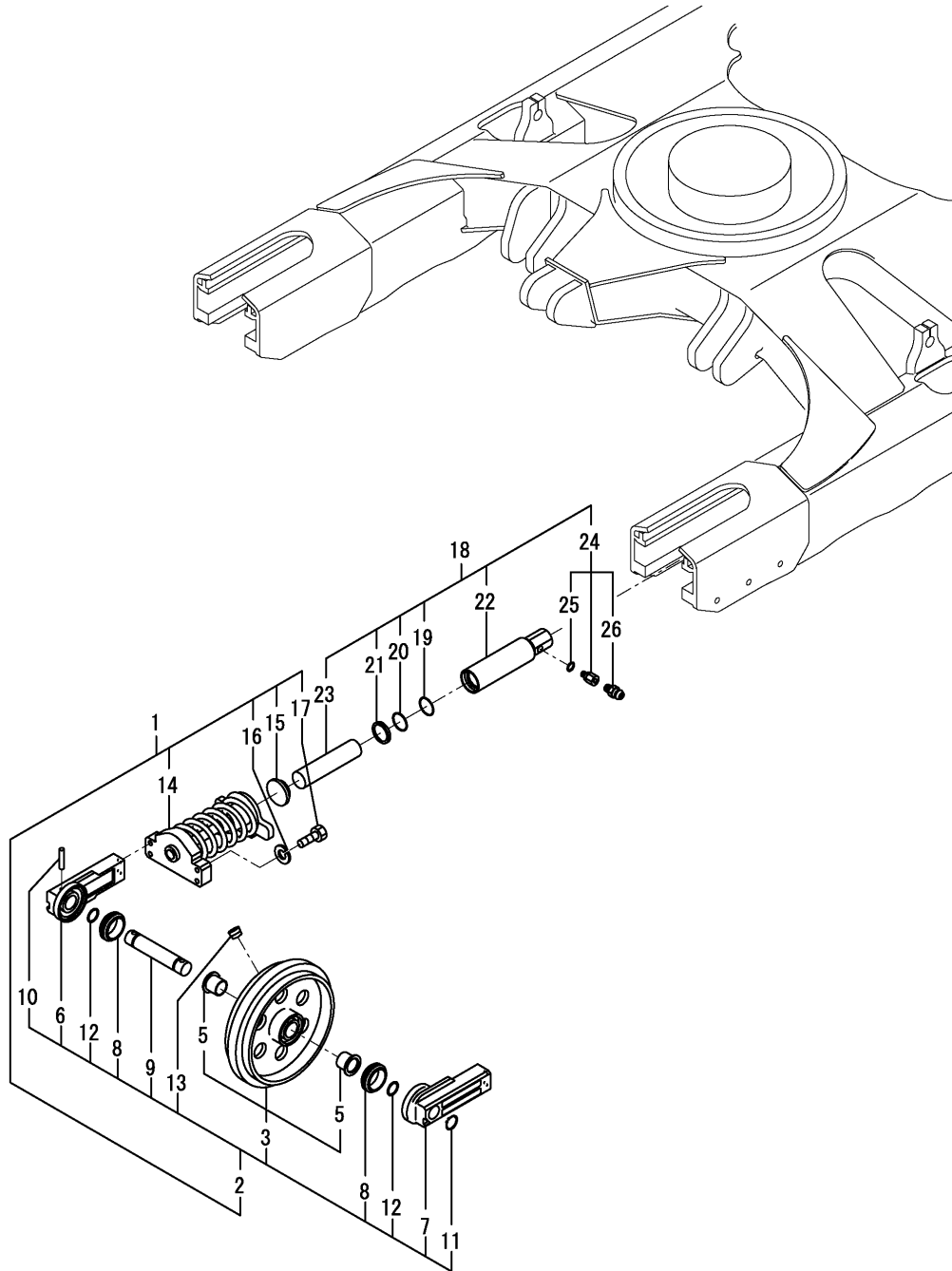


(A)=VIO80(US)
 (B)=VIO80(AS)
 (C)=VIO80(NZ)

(D)=
 (E)=
 (F)=

REF.	LEV.	PARTS NO.	DESCRIPTION	QTY						I	R
				(A)	(B)	(C)	(D)	(E)	(F)		
1	1	172A89-29100	SPROCKET,19	2	2	2					
2	1	172455-29140	BOLT 14X35	24	24	24					
3	1	172455-29150	WASHER 14X35	24	24	24					
4	1	172478-37302	ROLLER ASSY, LOWER	10	10	10					
7	3	172478-37400	BUSH 40X40	20	20	20					
8	2	172478-37342	SHAFT ASSY	10	10	10					
9	2	172478-37372	SEAL,COVER B	10	10	10					
10	2	172478-37380	FLOATING SEAL	20	20	20					
11	2	22242-000380	CIRCLIP 38	10	10	10					
12	2	24311-000340	O-RING 1A P-34.0	10	10	10					
13	2	933171-13691	PLUG PT1/8	10	10	10					
14	1	22217-200000	WASHER, SPRING 20	20	20	20					
15	1	26076-200409	BOLT, 20 X 40	20	20	20					
16	1	172A89-37500	ROLLER ASSY, CARRIER	2	2	2					
17	2	172730-31630	COLLAR 35X50X3	2	2	2					
18	2	172164-37120	SEAL 45 85 8.5 19	2	2	2					
21	2	172A89-37530	CAP,SEALING 72	2	2	2					
22	2	194630-42120	PLUG PT1/8	2	2	2					
23	2	22242-000350	CIRCLIP 35	2	2	2					
24	2	22252-000720	CIRCLIP 72	2	2	2					
25	2	24101-062074	BALL BEARING	4	4	4					
26	1	22217-160000	SPRING WASHER 16	2	2	2					
27	1	26116-160852	BOLT M16X 85 PLATED	2	2	2					
28	1	26716-160002	NUT M16	2	2	2					

Fig.28. IDLER & ADJUST



(A)=VIO80(US)
(B)=VIO80(AS)
(C)=VIO80(NZ)

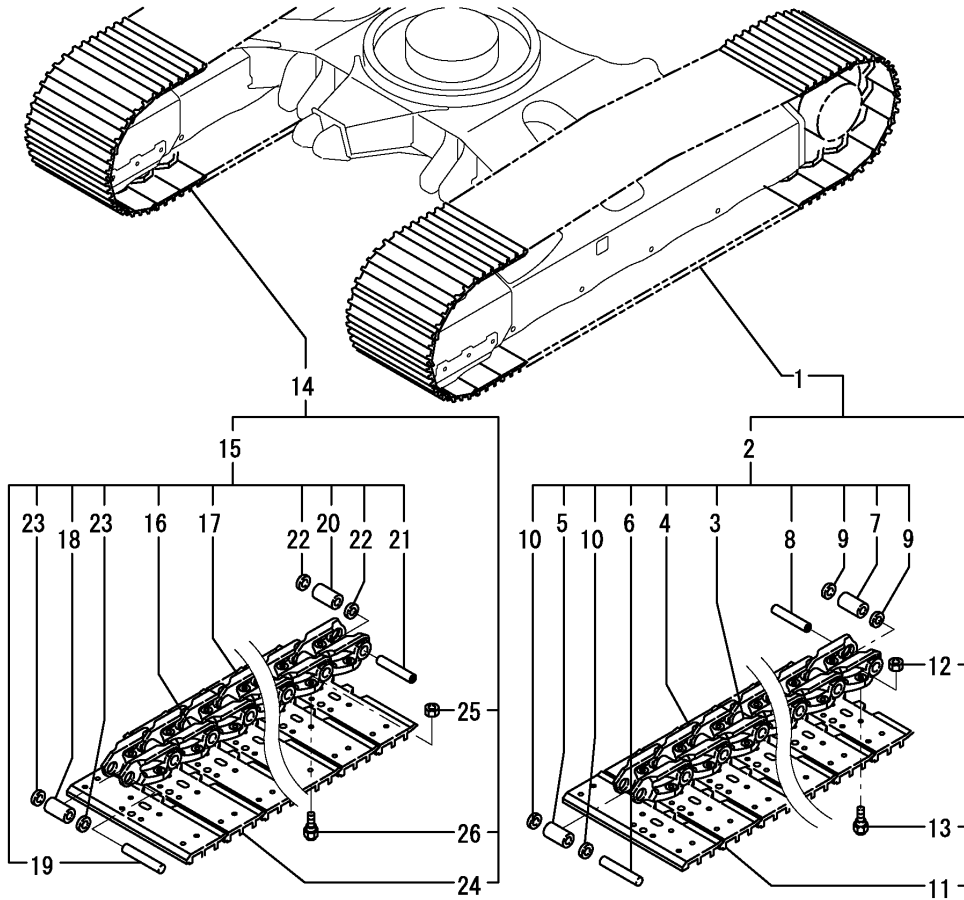
(D)=
(E)=
(F)=

REF.	LEV.	PARTS NO.	DESCRIPTION	QTY						I	R
				(A)	(B)	(C)	(D)	(E)	(F)		
1	1	772478-37120-1	IDLER & ADJUST (49)	2	2	2					
2	2	772478-37101-2	IDLER ASSY (GRAY:49)	2	2	2					
3	3	172478-37101-2	IDLER ,375 (GRAY:49)	2	2	2					
5	4	172478-37121	BUSH, 44	4	4	4					
6	3	172478-37141	SEAL COVER A,IDLER	2	2	2					
7	3	172478-37151	SEAL COVER B,IDLER	2	2	2					
8	3	172455-37160	FLOATING SEAL	4	4	4					
9	3	172455-37170	SHAFT	2	2	2					
10	3	172455-37180	SP PIN 10AWX70	2	2	2					
11	3	22242-000400	CIRCLIP 40	2	2	2					
12	3	24311-000380	O-RING 1A P-38.0	4	4	4					
13	3	933171-13691	PLUG PT1/8	2	2	2					
14	2	172187-37700-3	ADJUST, CRAWLER (49)	2	2	2					
15	2	172162-37810	PLATE,ADJUSTER	2	2	2					
16	2	22217-140000	SPRING WASHER 14	8	8	8					
17	2	26116-140602	BOLT M14X 60 PLATED	8	8	8					
18	1	772162-37770	CYLINDER, ADJUSTER	2	2	2					
19	2	198072-17440	O-RING 55.0	2	2	2					
20	2	172478-37710	RING 55,BACKUP	2	2	2					
21	2	172478-37720	DKB 55 69 8 11	2	2	2					
22	2	172162-37770	TUBE ASSY, ADJUSTING	2	2	2					
23	2	172162-37800	PISTON	2	2	2					
24	2	172122-37844	VALVE ASSY, NIPPLE	2	2	2					
25	3	24315-000140	O-RING 1B P-14.0	2	2	2					
26	3	24761-020000	NIPPLE PT1/8,GREASE	2	2	2					

Fig.29. CRAWLER

(A)=VIO80(US)
(B)=VIO80(AS)
(C)=VIO80(NZ)

(D)=
(E)=
(F)=



REF.	LEV.	PARTS NO.	DESCRIPTION	QTY						I	R
				(A)	(B)	(C)	(D)	(E)	(F)		
1	1	172A89-38100	SHOE ASSY,TRACK 450L	1	1	1					
2	2	172A89-38120	LINK ASSY	1	1	1					
3	3	172A89-38180	LINK, TRACK L	39	39	39					
4	3	172A89-38190	LINK, TRACK R	39	39	39					
5	3	172A89-38220	BUSH, TRUCK	38	38	38					
6	3	172A89-38230	PIN, TRUCK	38	38	38					
7	3	172A89-38240	BUSH, MASTER	1	1	1					
8	3	172A89-38250	PIN,MASTER	1	1	1					
9	3	172A89-38260	COLLAR	2	2	2					
10	3	172A89-38280	SEAL	76	76	76					
11	2	172A89-38130	SHOE,TRUCK 450 L(49)	39	39	39					
12	2	172A89-38160	NUT,SHOE	156	156	156					
13	2	172A89-38170	BOLT,SHOE	156	156	156					
14	1	172A89-38110	SHOE ASSY,TRACK 450R	1	1	1					
15	2	172A89-38120	LINK ASSY	1	1	1					
16	3	172A89-38180	LINK, TRACK L	39	39	39					
17	3	172A89-38190	LINK, TRACK R	39	39	39					
18	3	172A89-38220	BUSH, TRUCK	38	38	38					
19	3	172A89-38230	PIN, TRUCK	38	38	38					
20	3	172A89-38240	BUSH, MASTER	1	1	1					
21	3	172A89-38250	PIN,MASTER	1	1	1					
22	3	172A89-38260	COLLAR	2	2	2					
23	3	172A89-38280	SEAL	76	76	76					
24	2	172A89-38140	SHOE,TRUCK 450 R(49)	39	39	39					
25	2	172A89-38160	NUT,SHOE	156	156	156					
26	2	172A89-38170	BOLT,SHOE	156	156	156					
27	1	172488-38600	BUBBER CRAWLER	2	2	2					

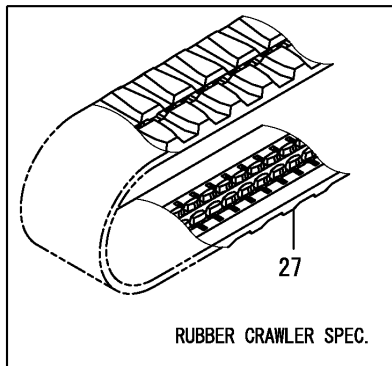
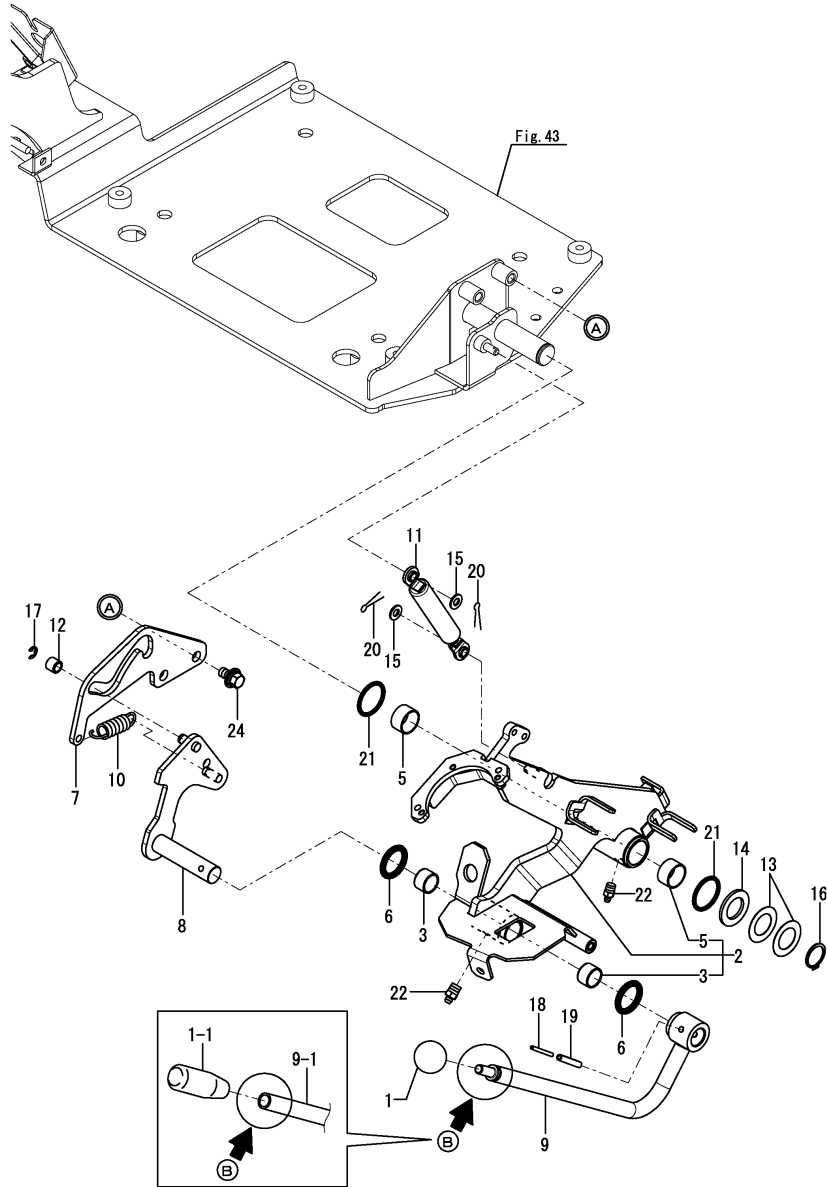


Fig.30. CONTROL EQUIPMENT(LOCK LEVER & LEVER STAND)



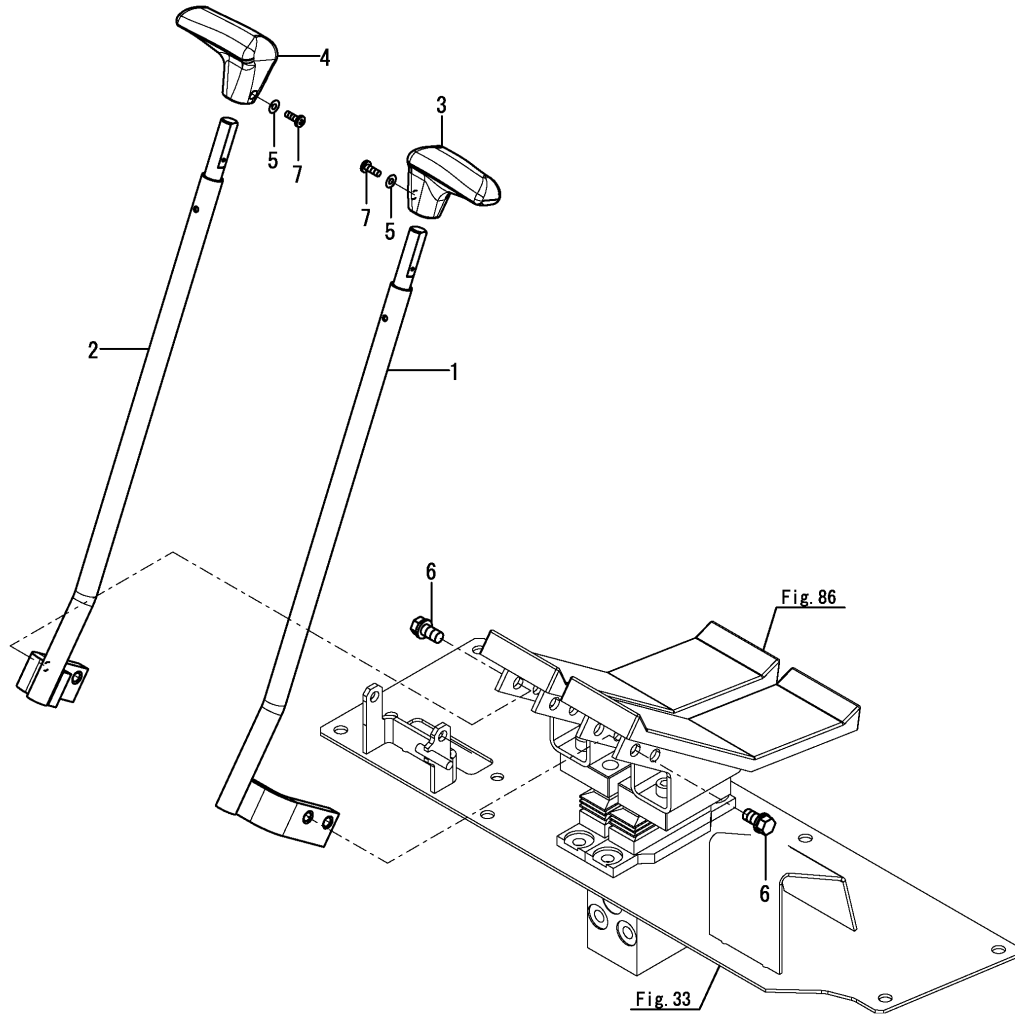
Remarks
 (1)B=REF.NO.9 M10 SCREW,
 NO.9-1 NO SCREW.
 INTERCHANGEABLE BY SIMULTANEOUS
 REPLACEMENT WITH RE.NO.1-1.

OCS10-G55700 30. CONTROL EQUIPMENT(LOCK LEVER & LEVER STAND)

(A)=VIO80(US) (D)=
 (B)=VIO80(AS) (E)=
 (C)=VIO80(NZ) (F)=

REF.	LEV.	PARTS NO.	DESCRIPTION	QTY						I	R
				(A)	(B)	(C)	(D)	(E)	(F)		
1	1	1D4070-23580	GRIP,RED ROUND	1	1	1					
1-1	1	172A77-46050	GRIP,RED	1	1	1					S
		(A=MZZZZZ) (B=MZZZZZ) (C=MZZZZZ)									
2	1	172A69-46101	LEVER STAND ASSY,L	1	1	1					
3	2	172141-41370	BUSH 2015	2	2	2					
5	2	24550-025150	BUSH 25X15	2	2	2					
6	1	172124-46200	O-RING 27X5.7	2	2	2					
7	1	172A69-46210	ROCK GUIDE (49)	1	1	1					
8	1	172A69-46220	ROD,ASSY SPRING (49)	1	1	1					
9	1	172A69-46250	LEVER ASSY,LOCK (49)	1	1	1					
9-1	1	172A69-46251	LEVER ASSY,LOCK	1	1	1					F 1
		(A=MZZZZZ) (B=MZZZZZ) (C=MZZZZZ)									
10	1	172A69-46270	SPRING 2.3X15X60	1	1	1					
11	1	172455-46890	SPRING,GAS	1	1	1					
12	1	172165-47550	BUSH	1	1	1					
13	1	172165-47980	SHIM 42X25.5X0.5	2	2	2					
14	1	172165-47990	WASHER 25.5X42	1	1	1					
15	1	22137-080000	WASHER 8, POLISHED	2	2	2					
16	1	22242-000250	CIRCLIP 25S	1	1	1					
17	1	22272-000070	CIRCLIP E- 7	1	1	1					
18	1	22351-035040	SPRING PIN 3.5X40	1	1	1					
19	1	22351-060040	SPRING PIN 6X40	1	1	1					
20	1	22417-200200	COTTER PIN 2.0X20	2	2	2					
21	1	24311-000340	O-RING 1A P-34.0	2	2	2					
22	1	24761-020000	NIPPLE PT1/8,GREASE	2	2	2					
24	1	26014-100202	BOLT M10X 20	2	2	2					

Fig.31. CONTROL EQUIPMENT(TRAVEL)



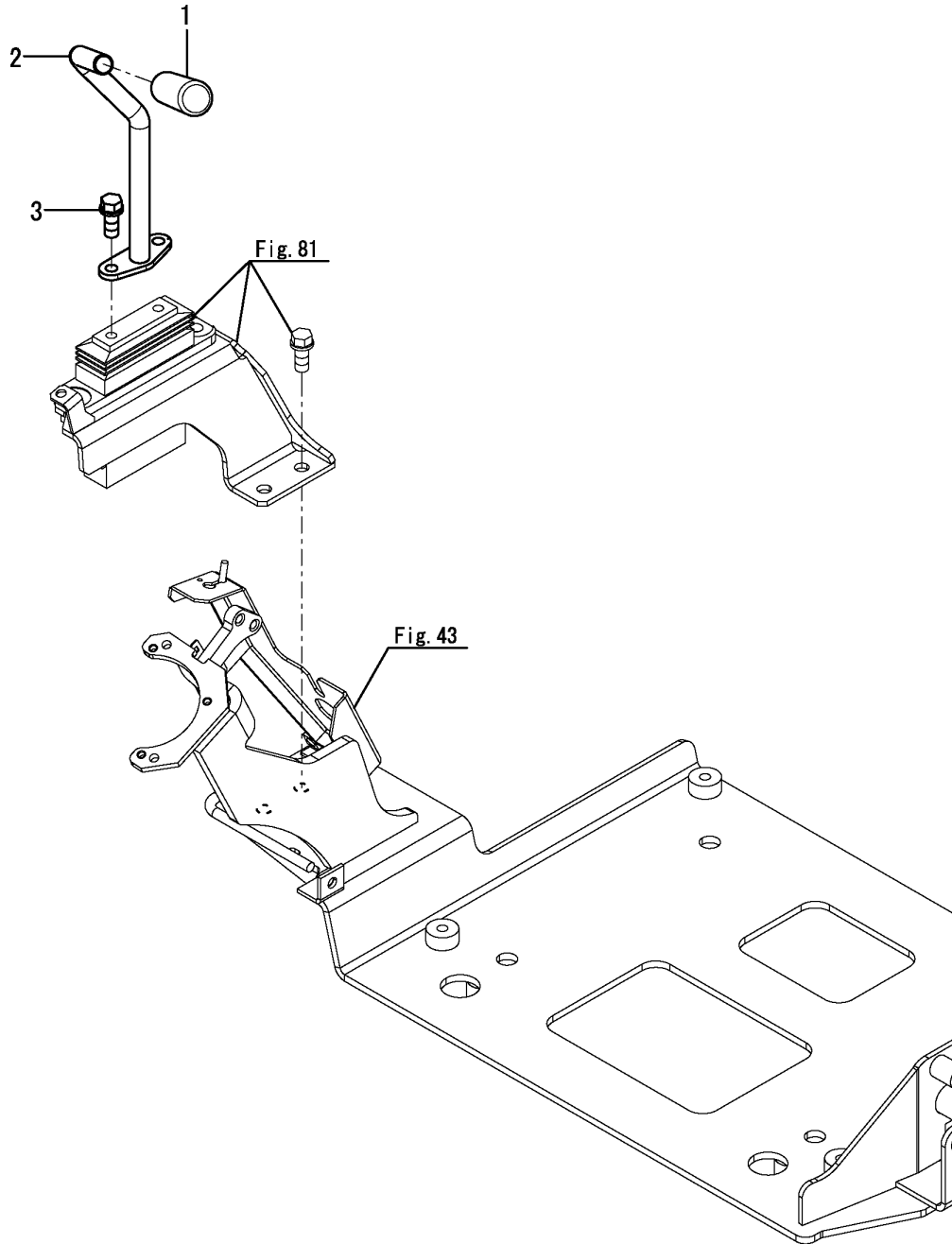
OCS10-G55700 31. CONTROL EQUIPMENT(TRAVEL)

(A)=VIO80(US)
 (B)=VIO80(AS)
 (C)=VIO80(NZ)

(D)=
 (E)=
 (F)=

REF.	LEV.	PARTS NO.	DESCRIPTION	Q'TY						I	R
				(A)	(B)	(C)	(D)	(E)	(F)		
1	1	172A69-45211	LEVER L ASSY,TRACK	1	1	1					
2	1	172A69-45251	LEVER R ASSY,TRACK	1	1	1					
3	1	172187-45870	GRIP L, DRIVE	1	1	1					
4	1	172187-45880	GRIP R, DRIVE	1	1	1					
5	1	22117-040000	WASHER 4	2	2	2					
6	1	26013-100202	BOLT W/WASHER M10X20	4	4	4					
7	1	26587-040122	SCREW, M4X12	2	2	2					

Fig.32. CONTROL EQUIPMENT(BLADE)



OCS10-G55700 32. CONTROL EQUIPMENT(BLADE)

(A)=VIO80(US)

(B)=VIO80(AS)

(C)=VIO80(NZ)

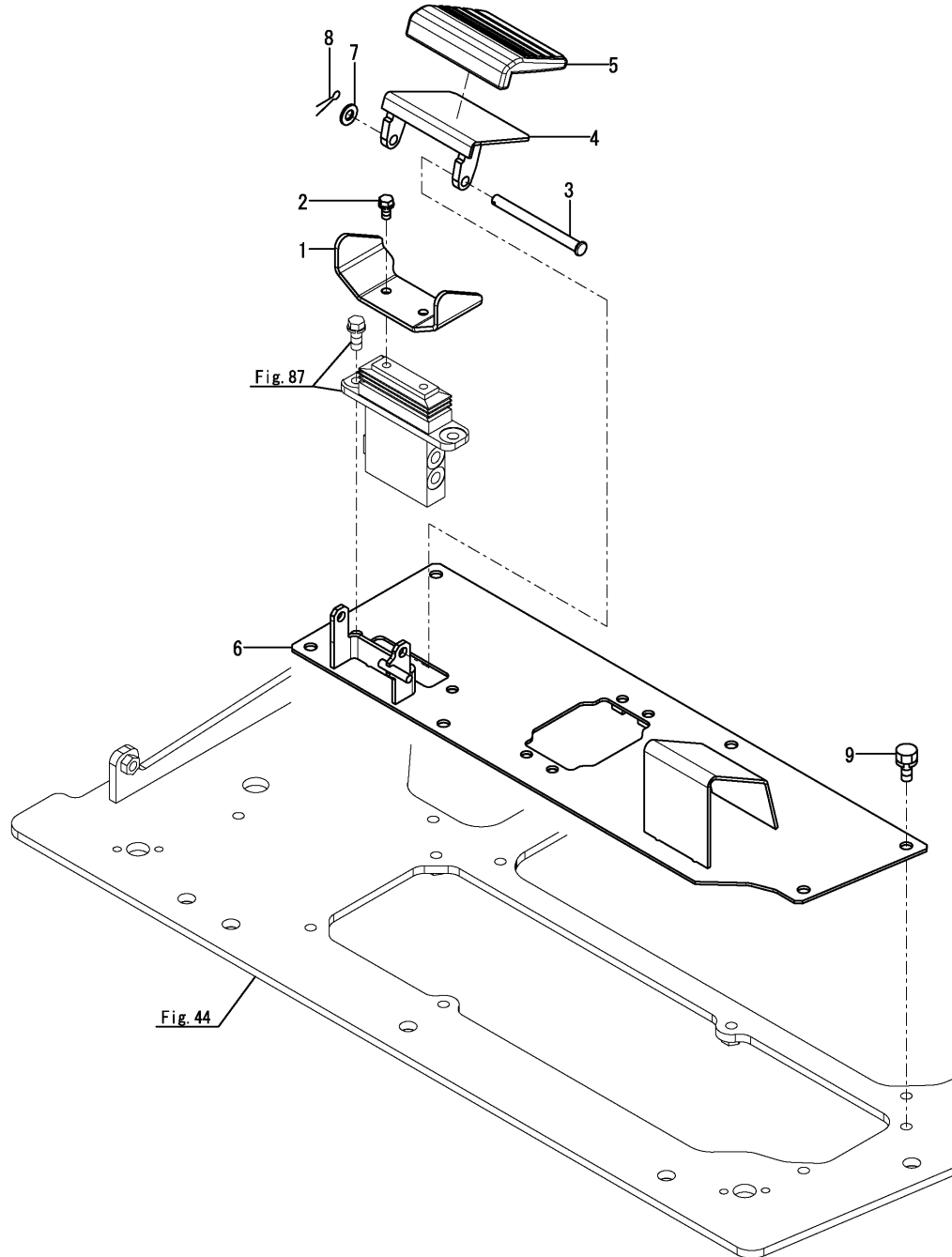
(D)=

(E)=

(F)=

REF.	LEV.	PARTS NO.	DESCRIPTION	Q'TY						I	R	
				(A)	(B)	(C)	(D)	(E)	(F)			
1	1	172964-12140	GRIP(BLACK	1	1	1						
2	1	172A69-45850	LEVER ASSY,BLADE(49)	1	1	1						
3	1	26013-080162	BOLT W/WASHER M8X16	2	2	2						

Fig.33. CONTROL EQUIPMENT(SWING)



OCS10-G55700 33. CONTROL EQUIPMENT(SWING)

(A)=VIO80(US)
 (B)=VIO80(AS)
 (C)=VIO80(NZ)

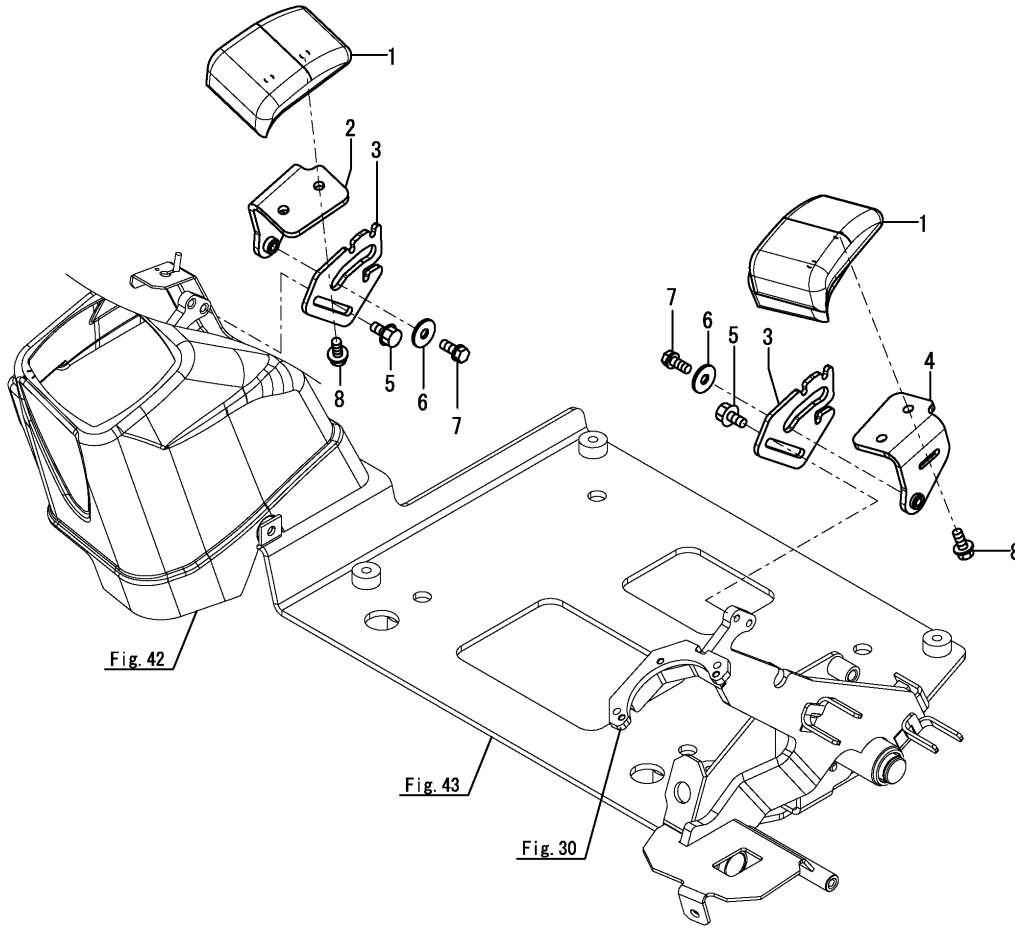
(D)=
 (E)=
 (F)=

REF.	LEV.	PARTS NO.	DESCRIPTION	QTY						I	R
				(A)	(B)	(C)	(D)	(E)	(F)		
1	1	172A69-45350	PEDAL,SWING (49)	1	1	1					
2	1	26013-080162	BOLT W/WASHER M8X16	2	2	2					
3	1	172187-45651	SHAFT, PEDAL COVER	1	1	1					
4	1	172187-45720-2	COVER,PEDAL(GRAY:49)	1	1	1					
5	1	172187-45760	COVER PAD	1	1	1					
6	1	172A69-45800	PLATE,PEDAL EX (49)	1	1	1					
7	1	22137-100000	WASHER 10,POLISHED	1	1	1					
8	1	22417-250200	COTTER PIN 2.5X20	1	1	1					
9	1	26013-100252	BOLT W/WASHER M10X25	6	6	6					

Fig.34. ARM REST

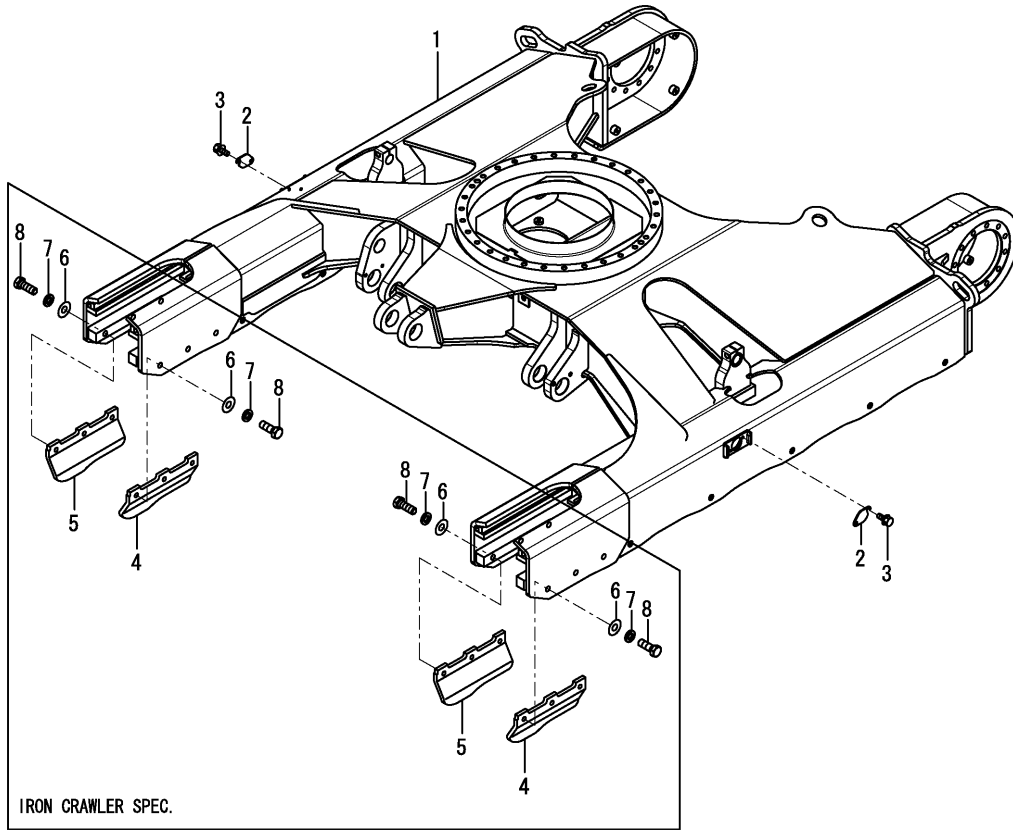
(A)=VIO80(US)
 (B)=VIO80(AS)
 (C)=VIO80(NZ)

(D)=
 (E)=
 (F)=



REF.	LEV.	PARTS NO.	DESCRIPTION	QTY						I	R
				(A)	(B)	(C)	(D)	(E)	(F)		
1	1	172441-44320	ARM REST	2	2	2					
2	1	172A46-46632	PLATE,GUIDE R ASSY	1	1	1					
3	1	172A46-46703	PLATE,ARMREST L/R	2	2	2					
4	1	172A46-46732	PLATE,GUIDE L ASSY	1	1	1					
5	1	172519-63240	BOLT 8X 16	4	4	4					
6	1	22157-080000	WASHER 8	2	2	2					
7	1	26013-080202	BOLT W/WASHER M8X20	2	2	2					
8	1	26014-080162	BOLT M 8X 16	4	4	4					

Fig.35. TRAVEL FRAME



(A)=VIO80(US)
(B)=VIO80(AS)
(C)=VIO80(NZ)

(D)=
(E)=
(F)=

REF.	LEV.	PARTS NO.	DESCRIPTION	QTY						I	R
				(A)	(B)	(C)	(D)	(E)	(F)		
1	1	172A89-50100	FRAME ASSY	1	1	1					
1-1	1	172B11-50100	FRAME ASSY, LOWER	1	1	1					N
		(A=MZZZZZ) (B=MZZZZZ) (C=MZZZZZ)									
2	1	172458-50480-2	COVER, FRAME	2	2	2					
3	1	26106-100122	BOLT	4	4	4					
4	1	172187-50801-3	PLATE, GUARD	2	2	2					1
5	1	172187-50811-3	PLATE, GUARD	2	2	2					1
6	1	22137-160000	WASHER	12	12	12					1
7	1	22217-160000	WASHER, SPRING	12	12	12					1
8	1	26116-160402	BOLT	12	12	12					1

IRON CRAWLER SPEC.

Remarks
(1)IRON CRAWLER SPEC.

Fig.36. TURNING FRAME & TURNING BEARING)

(A)=VIO80(US)

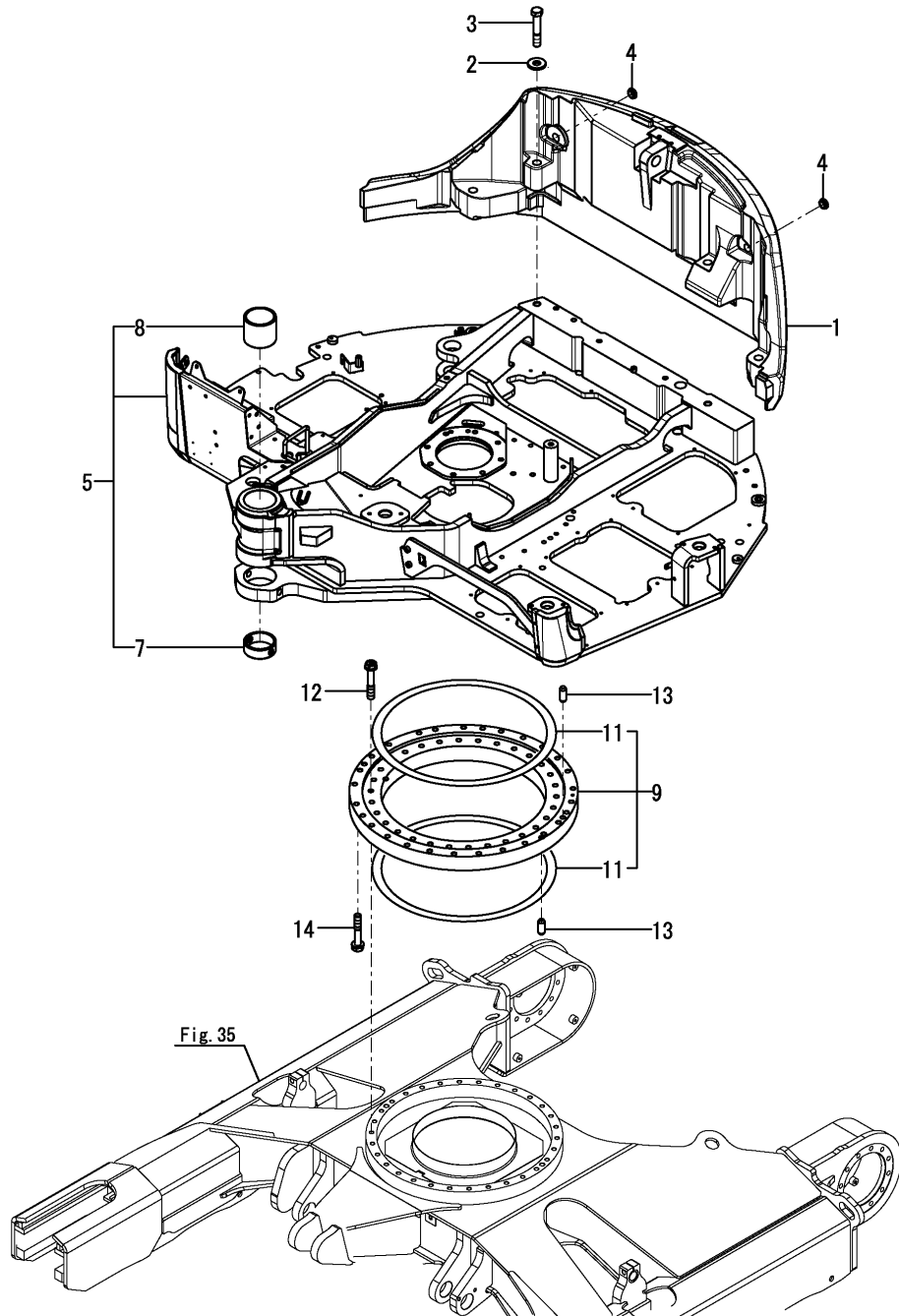
(B)=VIO80(AS)

(C)=VIO80(NZ)

(D)=

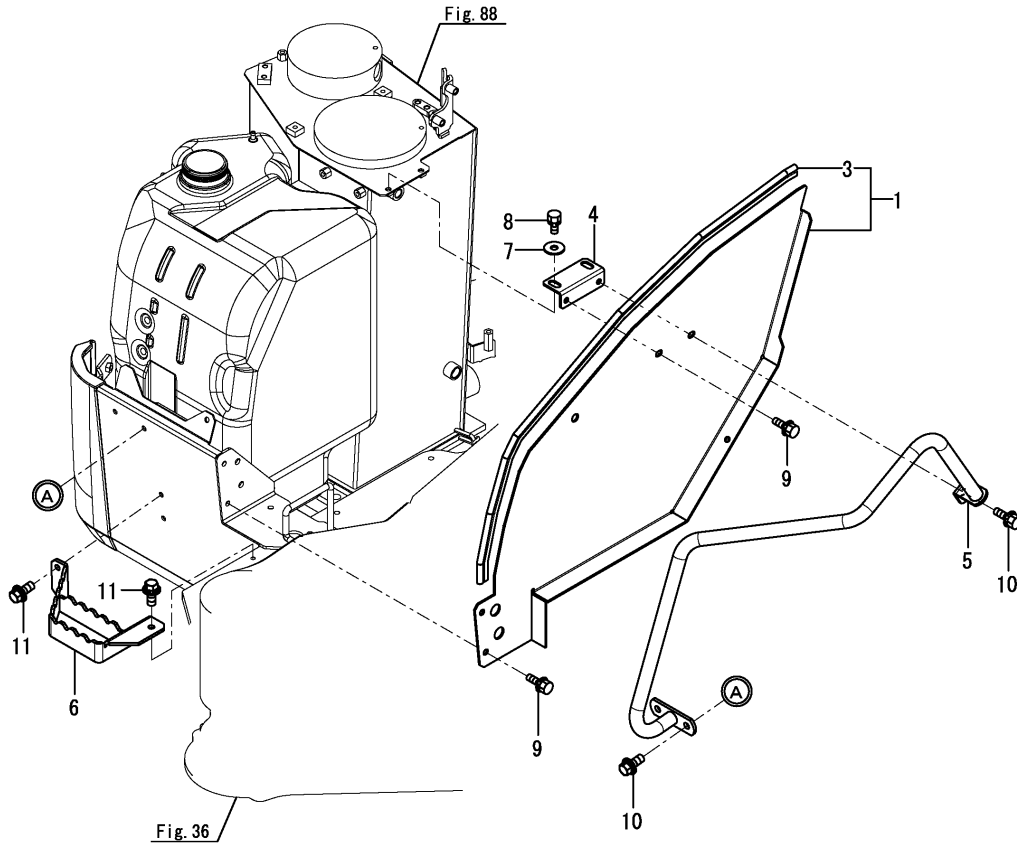
(E)=

(F)=



REF.	LEV.	PARTS NO.	DESCRIPTION	QTY						I	R
				(A)	(B)	(C)	(D)	(E)	(F)		
1	1	172A89-53310	WEIGHT,COUNTER (49)	1	1	1					
2	1	172187-53321	WASHER 24.5X65X8	4	4	4					
3	1	172455-53331	BOLT 24X140	4	4	4					
4	1	172456-53700	GROMMET 30	2	2	2					
5	1	172A89-54100	FRAME,TURNING (49)	1	1	1					
7	2	172A89-54500	BUSH 100X100	1	1	1					
8	2	172187-54760	BUSH 100X40	1	1	1					
9	1	172A89-57600	BEARING ASSY,SWING	1	1	1					
11	2	172A89-57620	SEAL	2	2	2					
12	1	172A69-57650	BOLT 10.9 16X90	30	30	30					
13	1	172162-57660	PIN 16X40,STRAIGHT	4	4	4					
14	1	172A69-57660	BOLT 10.9 16X85	28	28	28					

Fig.37. COVER(FUEL TANK SIDE)



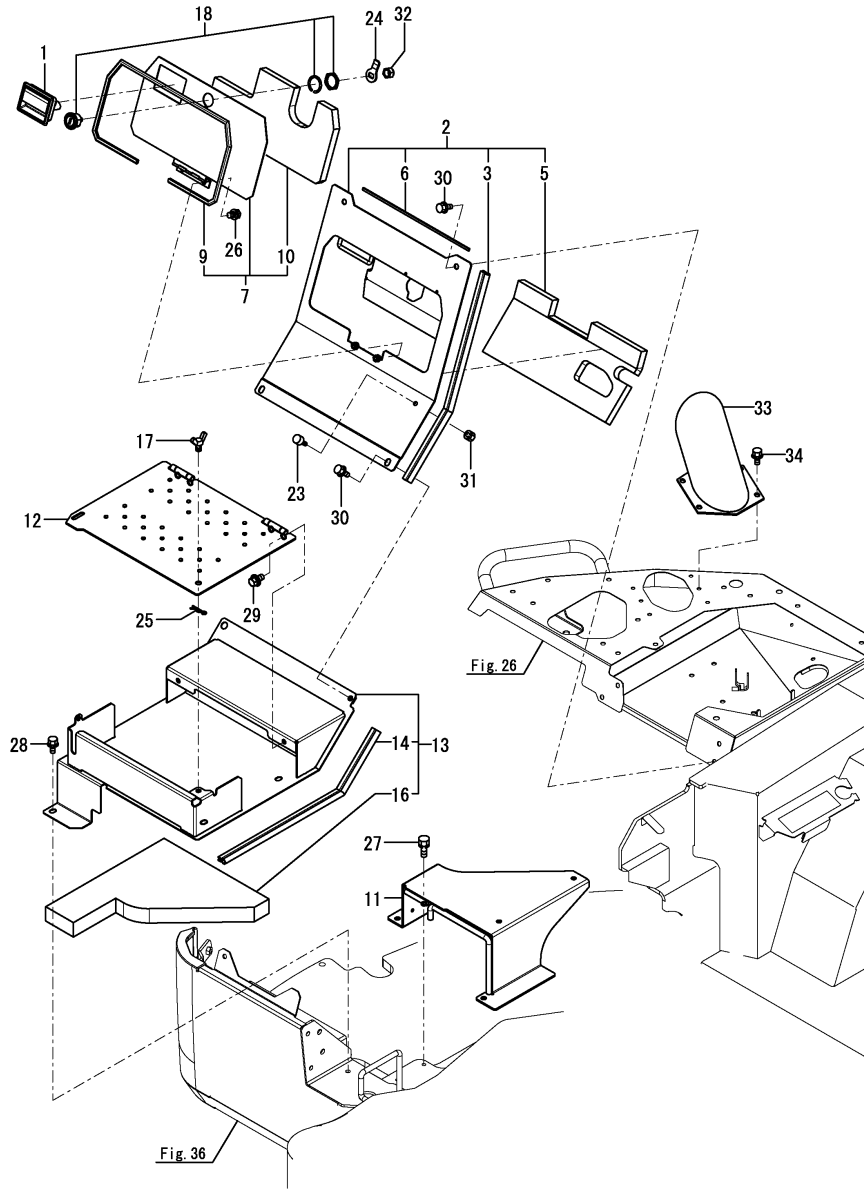
OCS10-G55700 37. COVER(FUEL TANK SIDE)

(A)=VIO80(US)
 (B)=VIO80(AS)
 (C)=VIO80(NZ)

(D)=
 (E)=
 (F)=

REF.	LEV.	PARTS NO.	DESCRIPTION	QTY						I	R
				(A)	(B)	(C)	(D)	(E)	(F)		
1	1	172A89-61600	COVER ASSY,FO (2J)	1	1	1					
1-1	1	172A89-61600-Y	COVER ASSY,FO	1	1	1					S
		(A=M92001) (B=M92001) (C=M92001)									
3	2	172A69-61650	SEAL	1	1	1					
4	1	172A69-61660	STAY ASSY	1	1	1					
5	1	172A69-61830	GRIP ASSY	1	1	1					
5-1	1	172A69-61830-Y	GRIP ASSY	1	1	1					S
		(A=M92001) (B=M92001) (C=M92001)									
6	1	172A69-62050	STEP ASSY	1	1	1					
7	1	22157-100000	WASHER	2	2	2					
8	1	26013-100252	BOLT	2	2	2					
9	1	26014-100252	BOLT	3	3	3					
10	1	26014-100252	BOLT	3	3	3					
11	1	26014-100252	BOLT	3	3	3					

Fig.38. COVER(CENTER)



OCS10-G55700 38. COVER(CENTER)

(A)=VIO80(US)
(B)=VIO80(AS)
(C)=VIO80(NZ)

(D)=
(E)=
(F)=

REF.	LEV.	PARTS NO.	DESCRIPTION	QTY						I	R
				(A)	(B)	(C)	(D)	(E)	(F)		
1	1	172187-61421	HANDLE, LOCK	1	1	1					
2	1	172A89-61680	COVER ASSY,CENTER	1	1	1					
2-1	1	172A89-61680-Y	COVER ASSY,CENTER	1	1	1					S
		(A=M92001) (B=M92001) (C=M92001)									
3	2	172A69-13690	SEAL	1	1	1					
5	2	172A89-61720	EV A,COVER	1	1	1					
6	2	172A89-61730	SEAL 340	1	1	1					
7	1	172A89-61740	COVER ASSY,ENG	1	1	1					1
7-1	1	172A89-61740-Y	COVER ASSY,ENG	1	1	1					S 1
		(A=M92001) (B=M92001) (C=M92001)									
9	2	172A69-61780	SEAL	1	1	1					
10	2	172A89-61790	EV A,COVER	1	1	1					
11	1	172A89-61800	BRACKET ,COVER (49)	1	1	1					
12	1	172A89-61880	COVER ASSY,TOOL BOX	1	1	1					
13	1	172A89-61900	BASE ,TOOL BOX (49)	1	1	1					
14	2	172A69-13690	SEAL	1	1	1					
16	2	172A89-61980	EV A,TOOL BOX	1	1	1					
17	1	172142-62301	BOLT, WING	1	1	1					
18	1	172164-66170	KEY ASSY, CYLINDER	1	1	1					
23	1	172176-67150	RUBBER, STOPPER	1	1	1					
24	1	172162-69470	PLATE, LOCK	1	1	1					
25	1	22372-100000	PIN, SNAP	1	1	1					
26	1	26013-080122	BOLT	2	2	2					
27	1	26014-100202	BOLT	3	3	3					
28	1	26014-100202	BOLT	3	3	3					
29	1	26014-100202	BOLT	2	2	2					
30	1	26014-100202	BOLT	4	4	4					
31	1	26051-080002	NUT	1	1	1					
32	1	26347-100002	NUT	1	1	1					
33	1	172455-65701	COVER ASSY	1	1	1					
34	1	26014-080162	BOLT	4	4	4					
35A	1	172437-03402	LABEL, ENGINE COVER	1	1	1					2
35B	1	172A36-03411	LABEL, ENGINE ROOM	1	1	1					2
35C	1	172437-03422	LABEL, MUFFLER	1	1	1					2

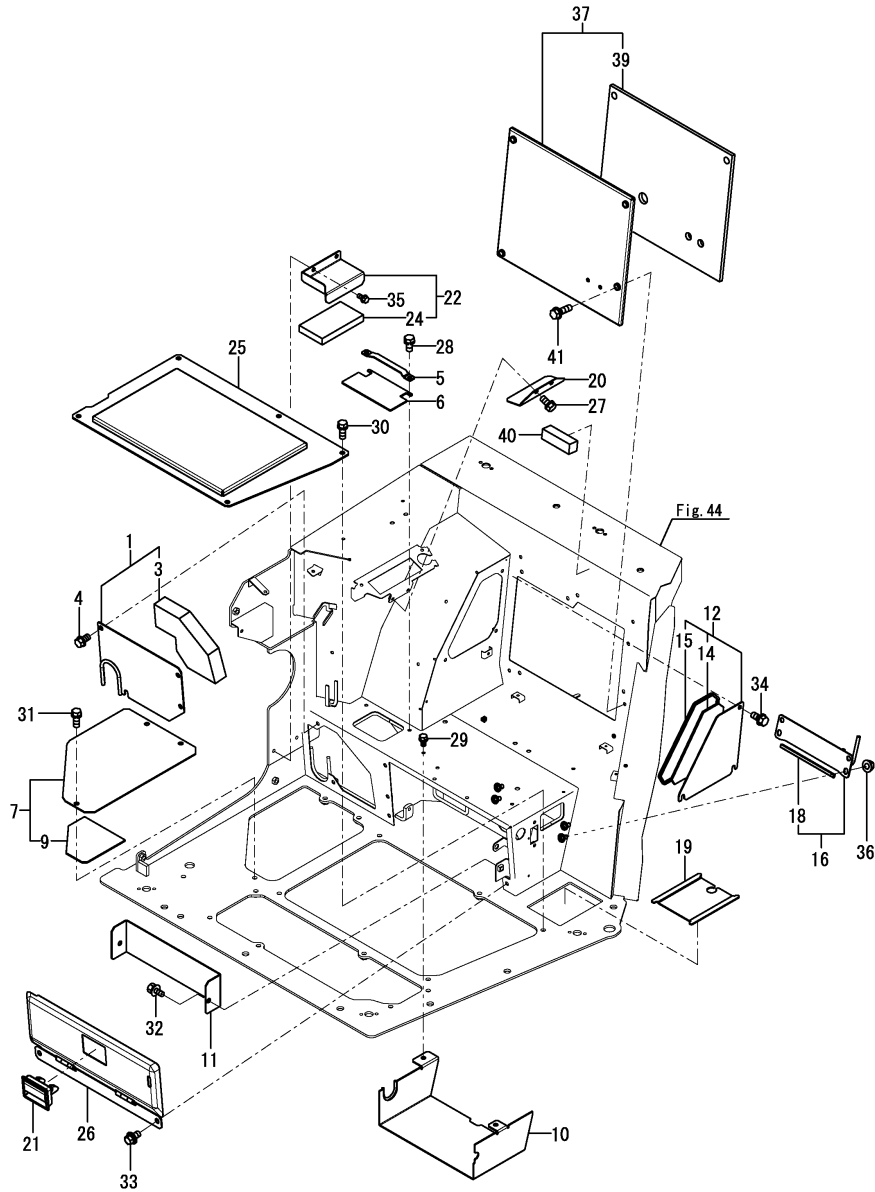
Remarks

(1)PLEASE USE THIS PART WITH FOLLOW-
ING LABEL AT THE SAME TIME.
REF.NO.35A,35B & 35C.
(2)LABEL IS NOT ILLUSTRATED.

Fig.39. COVER(SEAT MOUNT)

(A)=VIO80(US)
(B)=VIO80(AS)
(C)=VIO80(NZ)

(D)=
(E)=
(F)=

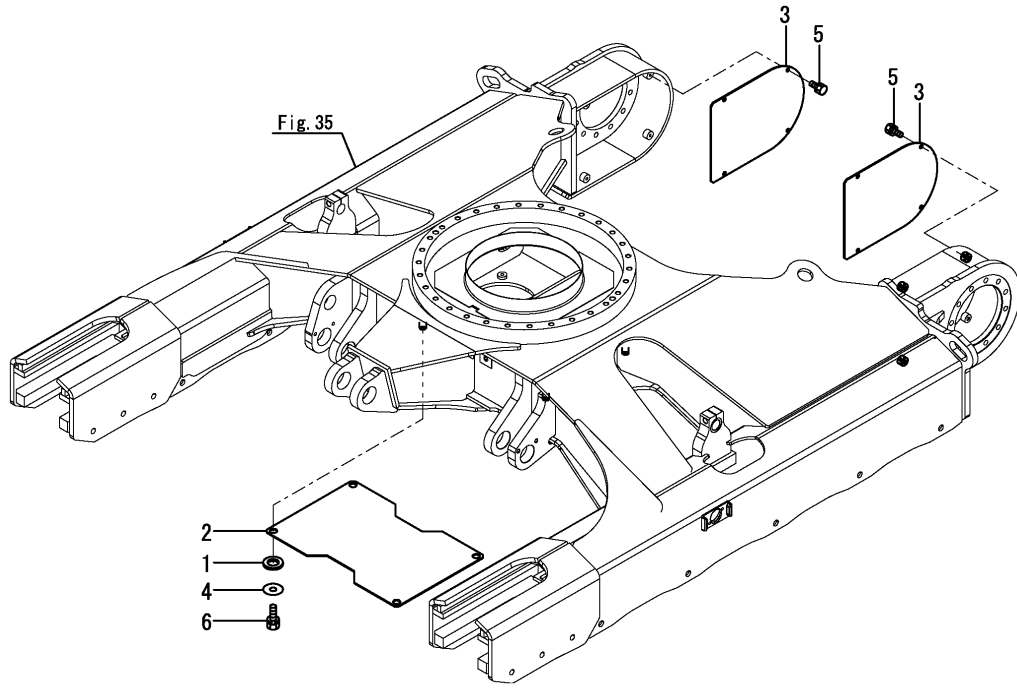


REF.	LEV.	PARTS NO.	DESCRIPTION	QTY						I	R
				(A)	(B)	(C)	(D)	(E)	(F)		
1	1	172A69-61240	COVER ,A/C HOSE (49)	1	1	1					
3	2	172A69-61280	EV,HOSE COVER	1	1	1					
4	1	26106-100162	BOLT M10X 16 PLATED	4	4	4					
5	1	172A69-61010	BRACKET,RUBBER PLATE	1	1	1					
6	1	172A69-61020	RUBBER PLATE	1	1	1					
7	1	172A89-61010	PLATE A ASSY	1	1	1					
9	2	172A89-61020	RUBBER, PLATE A	1	1	1					
10	1	172A89-61030	PLATE ASSY,MANUAL	1	1	1					
11	1	172A89-61060	COVER,TRAY	1	1	1					
12	1	172A89-61130	COVER ASSY,SEAT MT	1	1	1					
14	2	172A69-61150	GLASSWOOL,COVER	1	1	1					
15	2	172A89-61220	SEAL,COVER SEAT MT	1	1	1					
16	1	172A89-61150	COVER ASSY,P HOSE	1	1	1					
18	2	172434-61180	TRIM 195	1	1	1					
19	1	172A89-61180	COVER,MULTI (49)	1	1	1					
20	1	172A69-61330	COVER,HARNESS	1	1	1					
21	1	172187-61421	HANDLE, LOCK	1	1	1					
22	1	172A89-61420	COVER ,FLOOR MAT(49)	1	1	1					
24	2	172A89-61440	EV,COVER	1	1	1					
25	1	172A69-62210	STEP ASSY (49)	1	1	1					
26	1	172A69-64760	COVER ASSY,FL P (49)	1	1	1					
27	1	26013-080162	BOLT W/WASHER M8X16	2	2	2					
28	1	26013-080162	BOLT W/WASHER M8X16	2	2	2					
29	1	26013-100162	BOLT M10X 16	2	2	2					
30	1	26013-100252	BOLT W/WASHER M10X25	5	5	5					
31	1	26013-100252	BOLT W/WASHER M10X25	3	3	3					
32	1	26014-100202	BOLT M10X 20	2	2	2					
33	1	26014-100202	BOLT M10X 20	2	2	2					
34	1	26106-080162	BOLT M 8X 16 PLATED	3	3	3					
35	1	26106-080162	BOLT M 8X 16 PLATED	2	2	2					
36	1	26366-100002	NUT M10	4	4	4					
37	1	172A89-61080	COVER ASSY,SEAT (49)	1	1	1					
39	2	172A69-61120	EV,COVER SEAT MT	1	1	1					
40	1	172A69-64990	CUSHION,SEAT	1	1	1					
41	1	26106-080252	BOLT M 8X 25 PLATED	4	4	4					
42A	1	172437-03601	LABEL, 2-WAY US	1	1	1					

Remarks

- (1)PLEASE USE THIS PART WITH FOLLOWING LABEL AT THE SAME TIME. REF.NO.42A.
- (2)LABEL IS NOT ILLUSTRATED.

Fig.40. COVER(TRAVEL FRAME)



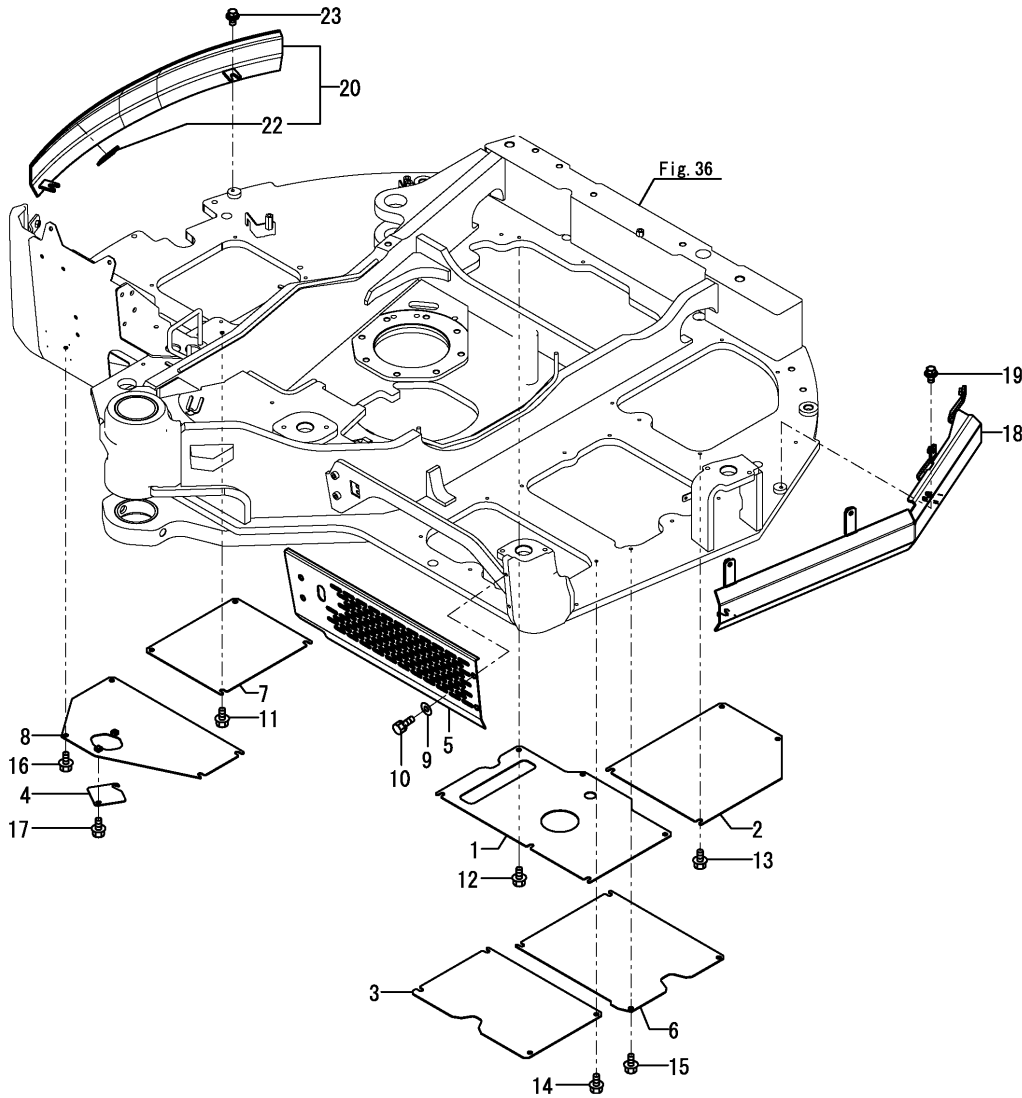
OCS10-G55700 40. COVER(TRAVEL FRAME)

(A)=VIO80(US)
 (B)=VIO80(AS)
 (C)=VIO80(NZ)

(D)=
 (E)=
 (F)=

REF.	LEV.	PARTS NO.	DESCRIPTION	QTY						I	R
				(A)	(B)	(C)	(D)	(E)	(F)		
1	1	172162-61500	RUBBER	4	4	4					
2	1	172187-61500-3	COVER,UNDER(GRAY:49)	1	1	1					
3	1	172A89-61540	COVER,TRAVEL (49)	2	2	2					
4	1	22157-120000	WASHER 12	4	4	4					
5	1	26013-100202	BOLT W/WASHER M10X20	8	8	8					
6	1	26013-120302	BOLT W/WASHER M12X30	4	4	4					

Fig.41. COVER(TURNING FRAME)



Remarks

- (1) PLEASE USE THIS PART WITH FOLLOWING LABEL AT THE SAME TIME. REF.NO.24A & 24B.
- (2) PLEASE USE THIS PART WITH FOLLOWING LABEL AT THE SAME TIME. REF.NO.25A.
- (3) LABEL IS NOT ILLUSTRATED.

OCS10-G55700 41. COVER(TURNING FRAME)

(A)=VIO80(US)
(B)=VIO80(AS)
(C)=VIO80(NZ)

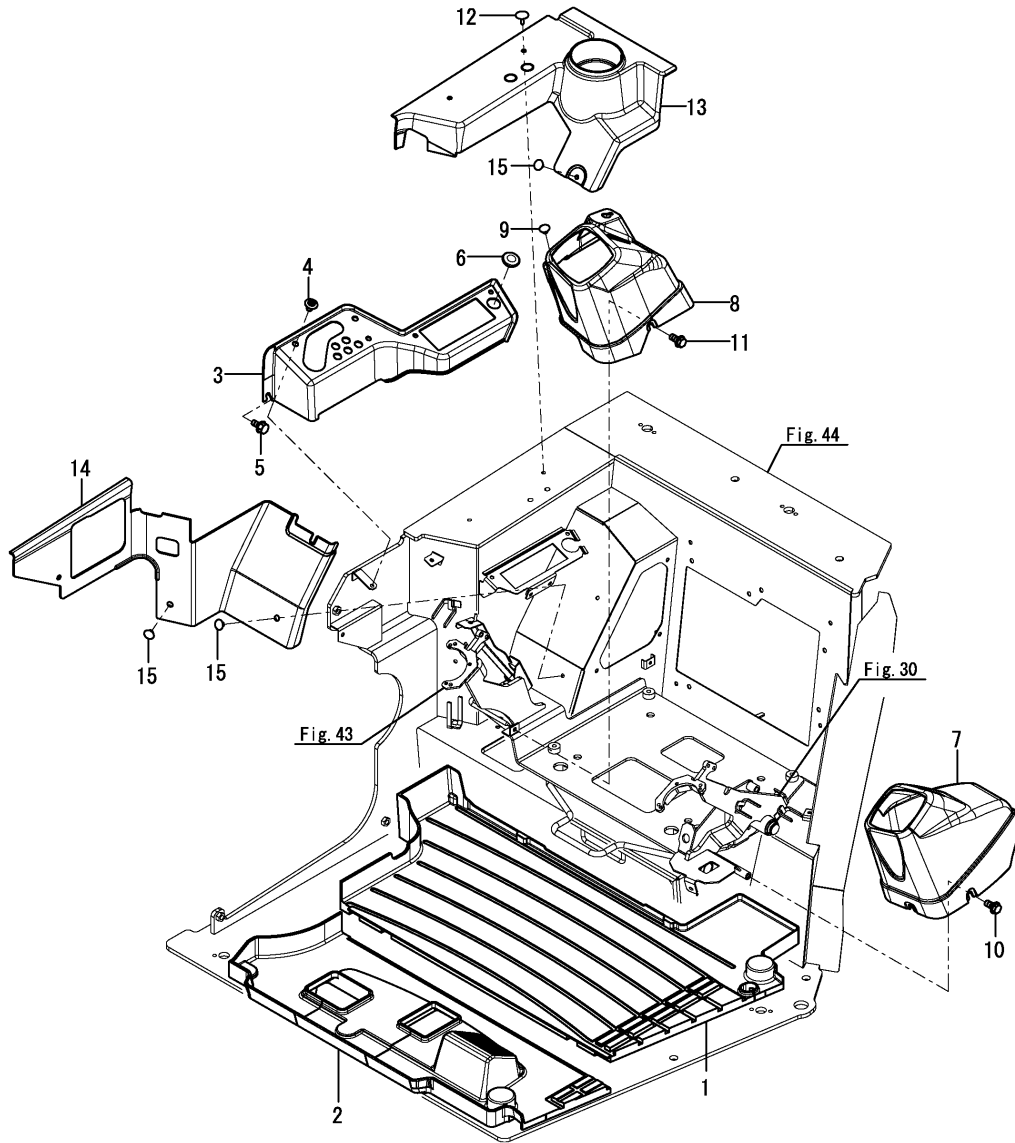
(D)=
(E)=
(F)=

REF.	LEV.	PARTS NO.	DESCRIPTION	QTY						I	R
				(A)	(B)	(C)	(D)	(E)	(F)		
1	1	172A69-61500	COVER, OIL SUMP	1	1	1					
2	1	172A89-61510	COVER,PUMP (49)	1	1	1					
3	1	172A69-61520	COVER	1	1	1					
3-1	1	172A89-61520	COVER, A C/V	1	1	1					N
		(A=MZZZZZ) (B=MZZZZZ) (C=MZZZZZ)									
4	1	172A89-61530	COVER,FO DRAIN (49)	1	1	1					
5	1	172A89-61550	COVER,FRAME FL (49)	1	1	1					
6	1	172A69-61560	COVER	1	1	1					
7	1	172A89-61570	COVER,RESERVER (49)	1	1	1					
8	1	172A89-61580	COVER ASSY,FO (49)	1	1	1					
9	1	22137-100000	WASHER	4	4	4					
10	1	26013-100162	BOLT	4	4	4					
11	1	26106-100162	BOLT	4	4	4					
12	1	26106-100162	BOLT	6	6	6					
13	1	26106-100162	BOLT	4	4	4					
14	1	26106-100162	BOLT	4	4	4					
15	1	26106-100162	BOLT	4	4	4					
16	1	26106-100162	BOLT	4	4	4					
17	1	26106-100162	BOLT	2	2	2					
18	1	172A89-61350	FRAME,GUARD L (49)	1	1	1					1
19	1	26014-100252	BOLT	2	2	2					
20	1	172A89-61500	FRAME,GUARD R (49)	1	1	1					2
22	2	172A89-61470	RUBBER, PLATE	1	1	1					
23	1	26014-100252	BOLT	2	2	2					
24A	1	172472-03141	LABEL, SUPPORT	1	1	1					3
24B	1	172437-03352	LABEL, CYLINDER	1	1	1					3
25A	1	172437-03352	LABEL, CYLINDER	1	1	1					3

Fig.42. FLOOR MAT & INSTRUMENT PANEL

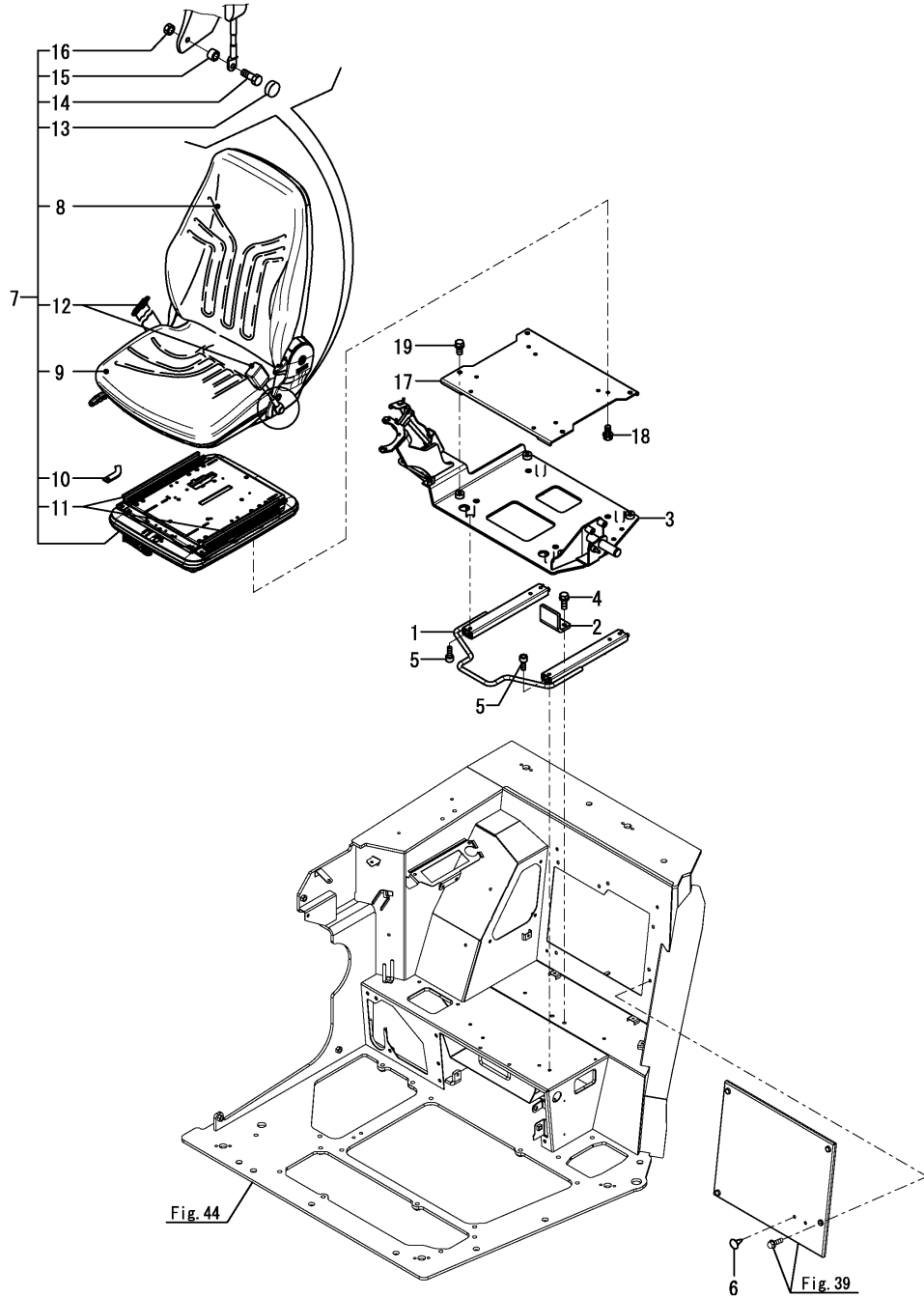
(A)=VIO80(US)
 (B)=VIO80(AS)
 (C)=VIO80(NZ)

(D)=
 (E)=
 (F)=



REF.	LEV.	PARTS NO.	DESCRIPTION	QTY						I	R
				(A)	(B)	(C)	(D)	(E)	(F)		
1	1	172A69-62150	FLOOR MAT A	1	1	1					
2	1	172A69-62160	FLOOR MAT B	1	1	1					
3	1	172A67-63140	INPANE	1	1	1					
4	1	172187-63160	CLIP	4	4	4					
5	1	172519-63240	BOLT 8X 16	1	1	1					
6	1	172958-64500	PLUGE 28X302 Q	1	1	1					
7	1	172A67-63110	LEVER,BOX L	1	1	1					
8	1	172A67-63120	LEVER,BOX R	1	1	1					
9	1	172187-63160	CLIP	1	1	1					
10	1	172519-63240	BOLT 8X 16	3	3	3					
11	1	172519-63240	BOLT 8X 16	2	2	2					
12	1	172122-17190	CLIP	2	2	2					
13	1	172A67-63160	SIDE COVER A	1	1	1					
14	1	172A67-63170	SIDE COVER B	1	1	1					
15	1	1A6260-64200	CLIP	3	3	3					

Fig.43. SEAT

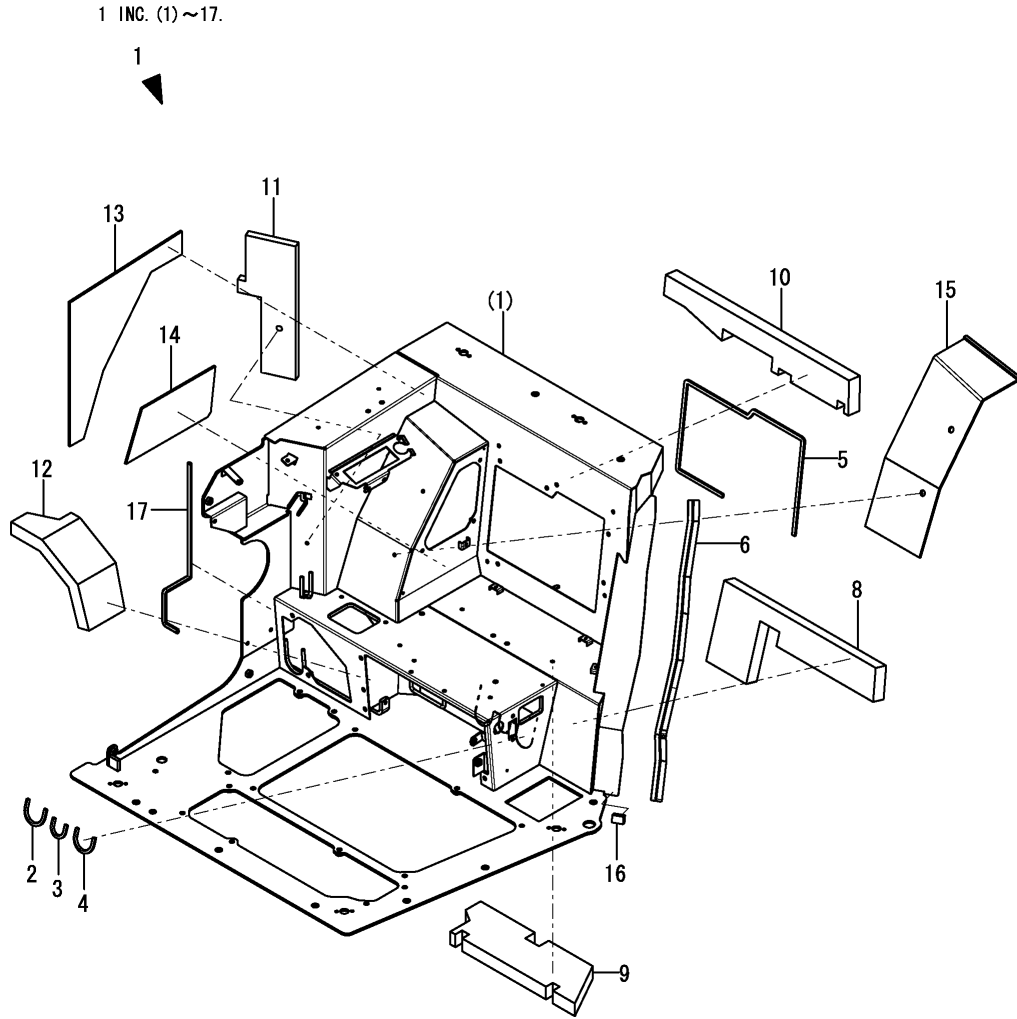


(A)=VIO80(US)
(B)=VIO80(AS)
(C)=VIO80(NZ)

(D)=
(E)=
(F)=

REF.	LEV.	PARTS NO.	DESCRIPTION	QTY						I	R
				(A)	(B)	(C)	(D)	(E)	(F)		
1	1	172A69-64100	SLIDE ASSY,SEAT	1	1	1					
2	1	172A69-64740	PLATE,STOPPER	1	1	1					
3	1	172A69-64811	FRAME ASSY,SLIDE	1	1	1					
4	1	26013-100252	BOLT W/WASHER M10X25	2	2	2					
5	1	26450-080162	BOLT, M8X16	8	8	8					
6	1	172444-17660	CLIP	2	2	2					
7	1	172467-64101	SEAT ASSY		1	1					
8	2	172467-64110	CUSHION, BACK REST		1	1					
9	2	172467-64120	CUSHION		1	1					
10	2	172467-64130	STOPPER		1	1					
11	2	172467-64140	RAIL SET		1	1					
12	2	172467-64150	SEAT BELT		1	1					
13	2	172467-64160	COVER CAP		2	2					
14	2	172467-64170	BOLT		2	2					
15	2	172467-64180	TUBE		2	2					
16	2	172467-64190	NUT		2	2					
17	1	172A69-64130	PLATE,SEAT EX (49)	1	1	1					
18	1	26013-080162	BOLT W/WASHER M8X16		4	4					
19	1	26013-100162	BOLT M10X 16	4	4	4					

Fig.44. SEAT MOUNT

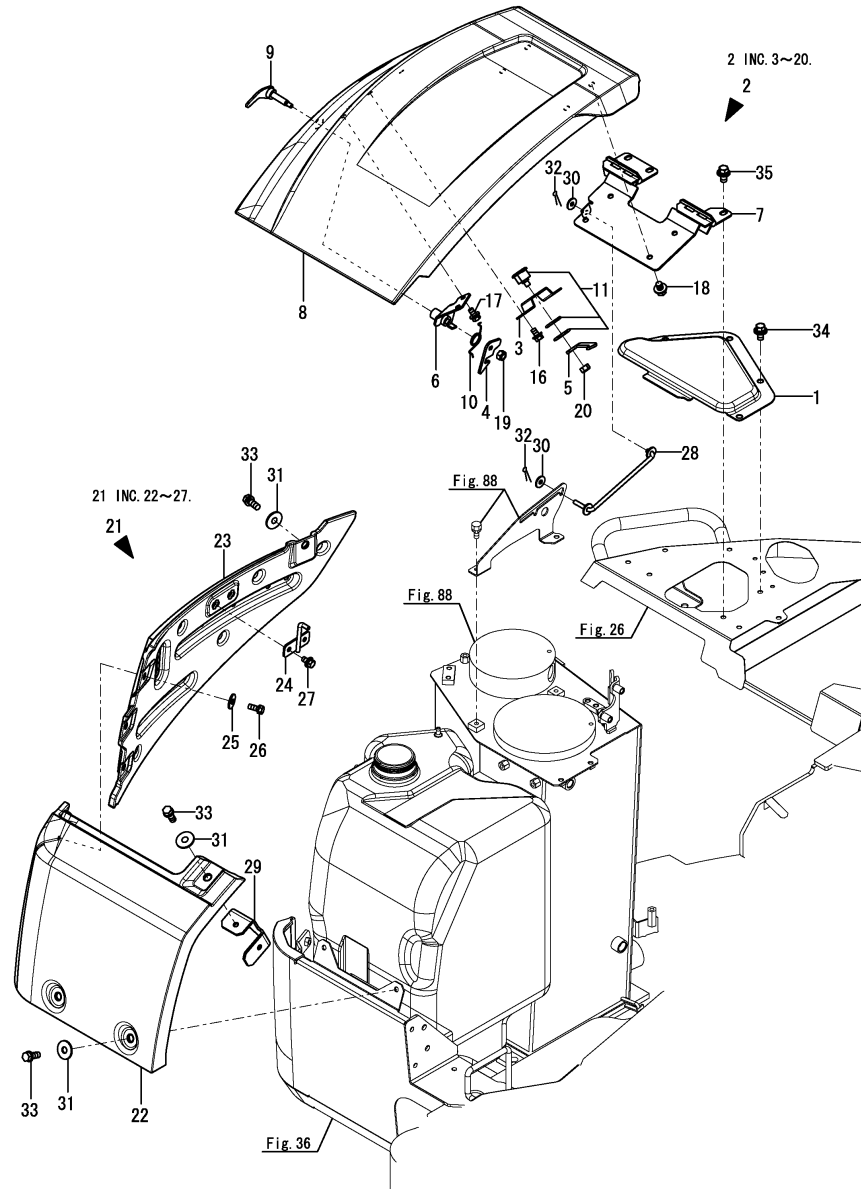


(A)=VIO80(US)
 (B)=VIO80(AS)
 (C)=VIO80(NZ)

(D)=
 (E)=
 (F)=

REF.	LEV.	PARTS NO.	DESCRIPTION	Q'TY						I	R
				(A)	(B)	(C)	(D)	(E)	(F)		
1	1	172A89-64200	MOUNT ASSY,SEAT (49)	1	1	1					
2	2	172444-17620	SEAL 125	1	1	1					
3	2	172458-18850	MOLDING	1	1	1					
4	2	172538-19700	SEAL,135	1	1	1					
5	2	172458-46790	SEAL,LEVER STAND	1	1	1					
6	2	172162-61330	SEAL,COVER A	1	1	1					
8	2	172A89-64610	EV A,SEAT MT	1	1	1					
9	2	172A89-64620	EV B,SEAT MT	1	1	1					
10	2	172A69-64630	EV C,SEAT MT	1	1	1					
11	2	172A69-64640	EV D,SEAT MT	1	1	1					
12	2	172A89-64650	EV E,SEAT MT	1	1	1					
13	2	172A69-64680	GLASSWOOL A,SEAT MT	1	1	1					
14	2	172A69-64690	GLASSWOOL B,SEAT MT	1	1	1					
15	2	172A89-64700	GLASSWOOL C,SEAT MT	1	1	1					
16	2	172A69-64720	SEAL,SEAT MT	1	1	1					
17	2	172187-66140	RUBBER 580	1	1	1					

Fig.45. BONNET(BODY)



OCS10-G55700 45. BONNET(BODY)

(A)=VIO80(US)
(B)=VIO80(AS)
(C)=VIO80(NZ)

(D)=
(E)=
(F)=

REF.	LEV.	PARTS NO.	DESCRIPTION	QTY						I	R
				(A)	(B)	(C)	(D)	(E)	(F)		
1	1	172A69-62130	COVER,UPPER (49)	1	1	1					1
2	1	172A69-62410	BON B UPPER ASSY,BLK	1	1	1					
3	2	172A46-61960	ROCK PLATE	1	1	1					
4	2	172A69-62280	PLATE,LOCK	1	1	1					
5	2	172A69-62291	STAY,KEY	1	1	1					
6	2	172A69-62310	HOOK ASSY	1	1	1					
7	2	172A69-62340	PLATE ASSY,HINGE	1	1	1					
8	2	172A69-62420	BON B UPPER,BLACK	1	1	1					
9	2	172A69-62510	LEVER ASSY	1	1	1					
10	2	172156-65690	TORSION SPRING,STOPR	1	1	1					
11	2	172164-66170	KEY ASSY, CYLINDER	1	1	1					
16	2	26014-080162	BOLT M 8X 16	2	2	2					
17	2	26014-080162	BOLT M 8X 16	2	2	2					
18	2	26014-100162	BOLT M10X16	4	4	4					
19	2	26347-080002	U-NUT M 8	1	1	1					
20	2	26347-100002	U-NUT M10	1	1	1					
21	1	172A69-62430	BON B LOWER ASSY,BLK	1	1	1					
22	2	172A69-62440	BON B FRONT,BLACK	1	1	1					
23	2	172A69-62450	BON B REAR,BLACK	1	1	1					
24	2	172A69-62470	ROD ASSY,CATCH	1	1	1					
25	2	22157-080000	WASHER 8	3	3	3					
26	2	26013-080202	BOLT W/WASHER M8X20	3	3	3					
27	2	26014-080162	BOLT M 8X 16	2	2	2					
28	1	172A69-62650	ROD ASSY,STOPPER	1	1	1					
29	1	172A69-65530	STAY ASSY,BON B	1	1	1					
30	1	22157-080000	WASHER 8	2	2	2					
31	1	22157-100000	WASHER 10	4	4	4					
32	1	22417-200200	COTTER PIN 2.0X20	2	2	2					
33	1	26013-100252	BOLT W/WASHER M10X25	4	4	4					
34	1	26014-100202	BOLT M10X 20	4	4	4					
35	1	26014-100202	BOLT M10X 20	3	3	3					
36A	1	172437-03391	LABEL, RADIATOR US	1	1	1					2

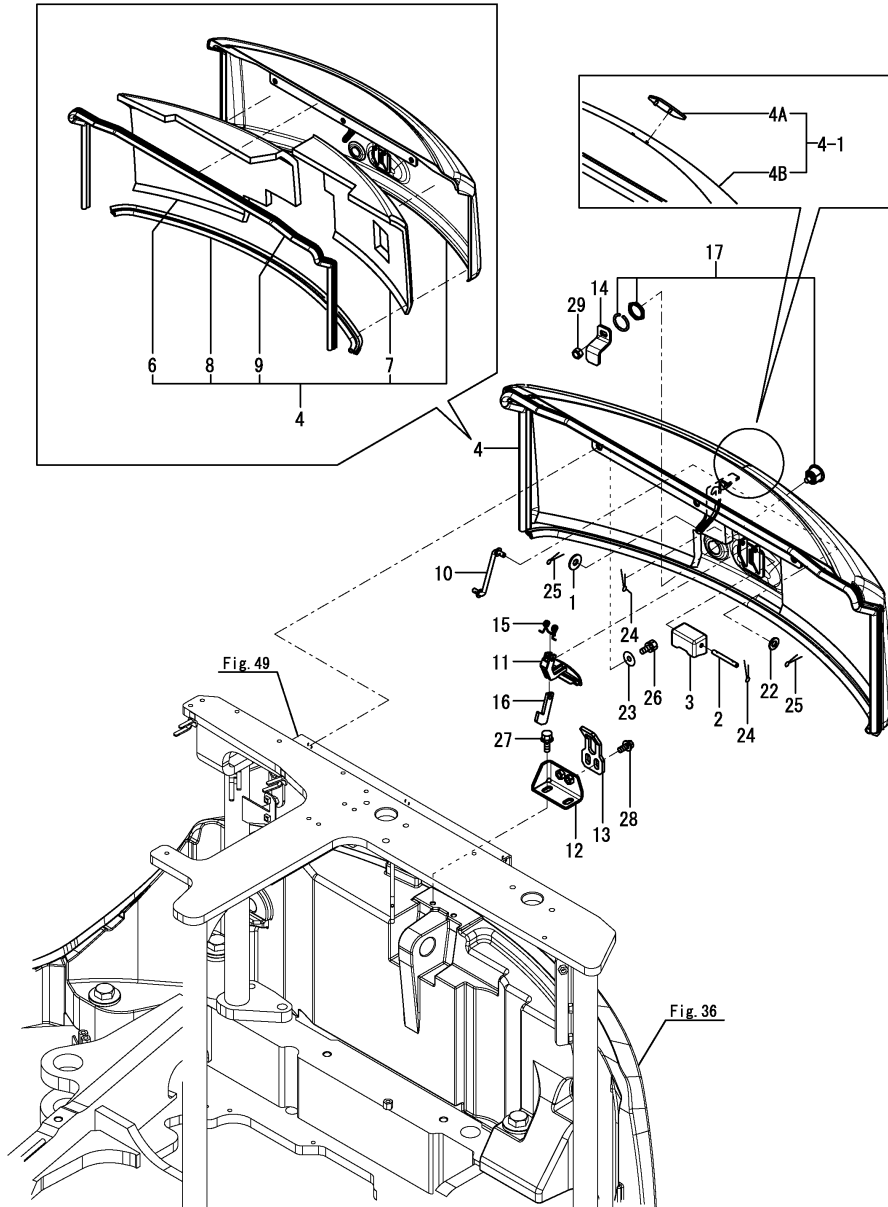
Remarks

- (1)PLEASE USE THIS PART WITH FOLLOWING LABEL AT THE SAME TIME. REF.NO.36A.
- (2)LABEL IS NOT ILLUSTRATED.

Fig.46. BONNET(REAR)

(A)=VIO80(US)
(B)=VIO80(AS)
(C)=VIO80(NZ)

(D)=
(E)=
(F)=

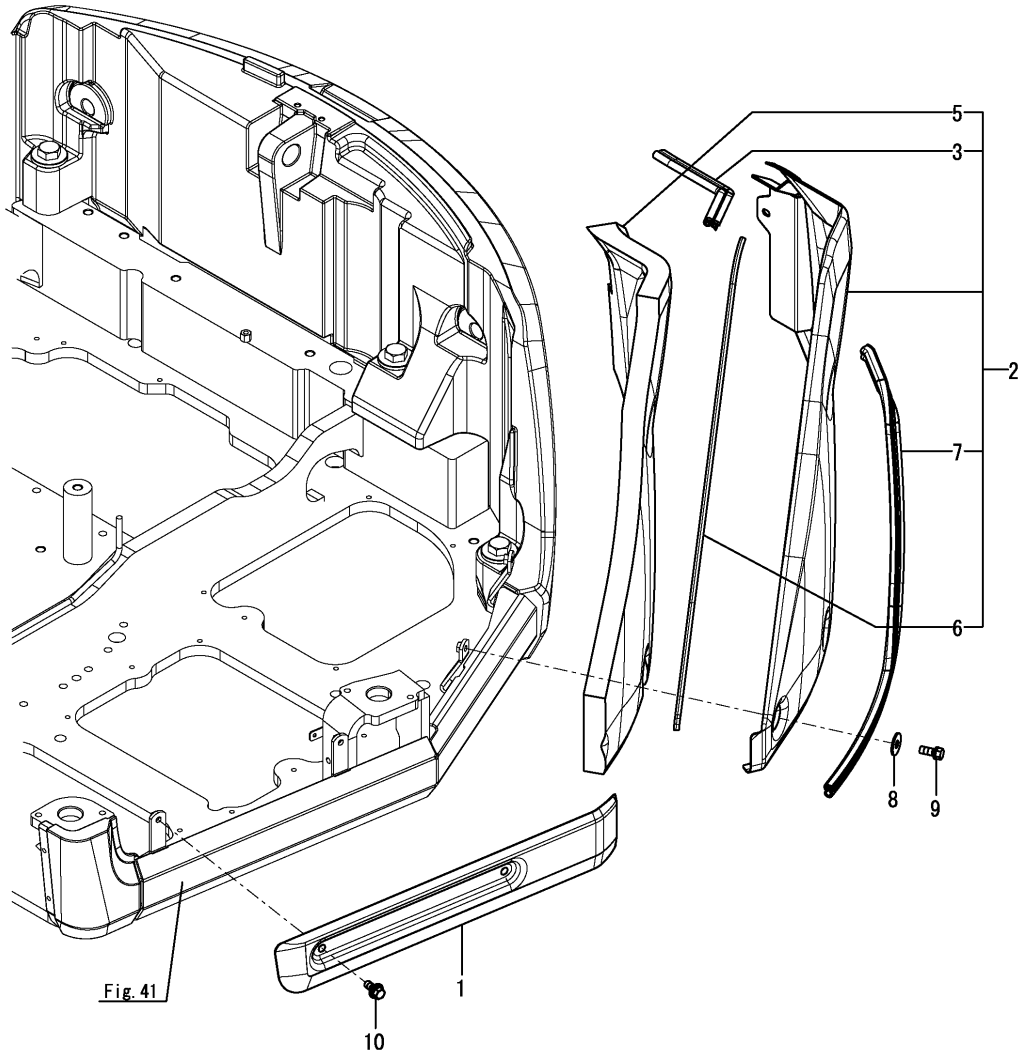


REF.	LEV.	PARTS NO.	DESCRIPTION	QTY						I	R
				(A)	(B)	(C)	(D)	(E)	(F)		
1	1	1A1380-62160	WASHER	1	1	1					
2	1	172458-65050	SHAFT	1	1	1					
3	1	172458-65060	COVER, LOCK	1	1	1					
4	1	172A89-65100	BONNET A ASSY (2J)	1	1	1					1
4-1	1	172A69-08400	BONNET KIT, Y	1	1	1					S
		(A=M92001) (B=M92001) (C=M92001)									
4A	2	172A89-03500	EMBLEM ASSY,L3 Y	1	1	1					W
		(A=M92001) (B=M92001) (C=M92001)									
4B	2	172A69-65400	BONNET ASSY	1	1	1					W 1
		(A=M92001) (B=M92001) (C=M92001)									
6	3	172A89-65160	EV R,BONNET A	1	1	1					
7	3	172A89-65170	EV L,BONNET A	1	1	1					
8	3	172A69-65180	RUBBER, SEAL	1	1	1					
9	3	172A69-65190	RUBBER, SEAL	1	1	1					
10	1	172444-65190	ROD ASSY, STOPPER	1	1	1					
11	1	172187-65210	LEVER ASSY, LOCK	1	1	1					
12	1	172A89-65230	BRACKET ASSY,LOCK	1	1	1					
13	1	172187-65270	PLATE, CATCH	1	1	1					
14	1	172458-65271	PLATE, LOCK	1	1	1					
15	1	172734-65270	SPRING, CATCH	1	1	1					
16	1	172124-65480	CATCHER	1	1	1					
17	1	172164-66170	KEY ASSY, CYLINDER	1	1	1					
22	1	22137-080000	WASHER	1	1	1					
23	1	22157-100000	WASHER	3	3	3					
24	1	22417-200200	PIN, COTTER	2	2	2					
25	1	22417-200200	PIN, COTTER	2	2	2					
26	1	26013-100252	BOLT	3	3	3					
27	1	26014-100252	BOLT	2	2	2					
28	1	26014-100252	BOLT	2	2	2					
29	1	26347-100002	NUT	1	1	1					
30A	1	172437-03381	LABEL, SWING AREA	1	1	1					2
30B	1	172437-03402	LABEL, ENGINE COVER	1	1	1					2
30C	1	172A36-03411	LABEL, ENGINE ROOM	1	1	1					2
30D	1	172437-03422	LABEL, MUFFLER	1	1	1					2

Remarks

(1)PLEASE USE THIS PART WITH FOLLOWING LABEL AT THE SAME TIME.
REF.NO.30A,30B,30C & 30D.
(2)LABEL IS NOT ILLUSTRATED.

Fig.47. BONNET(SIDE : LEFT)



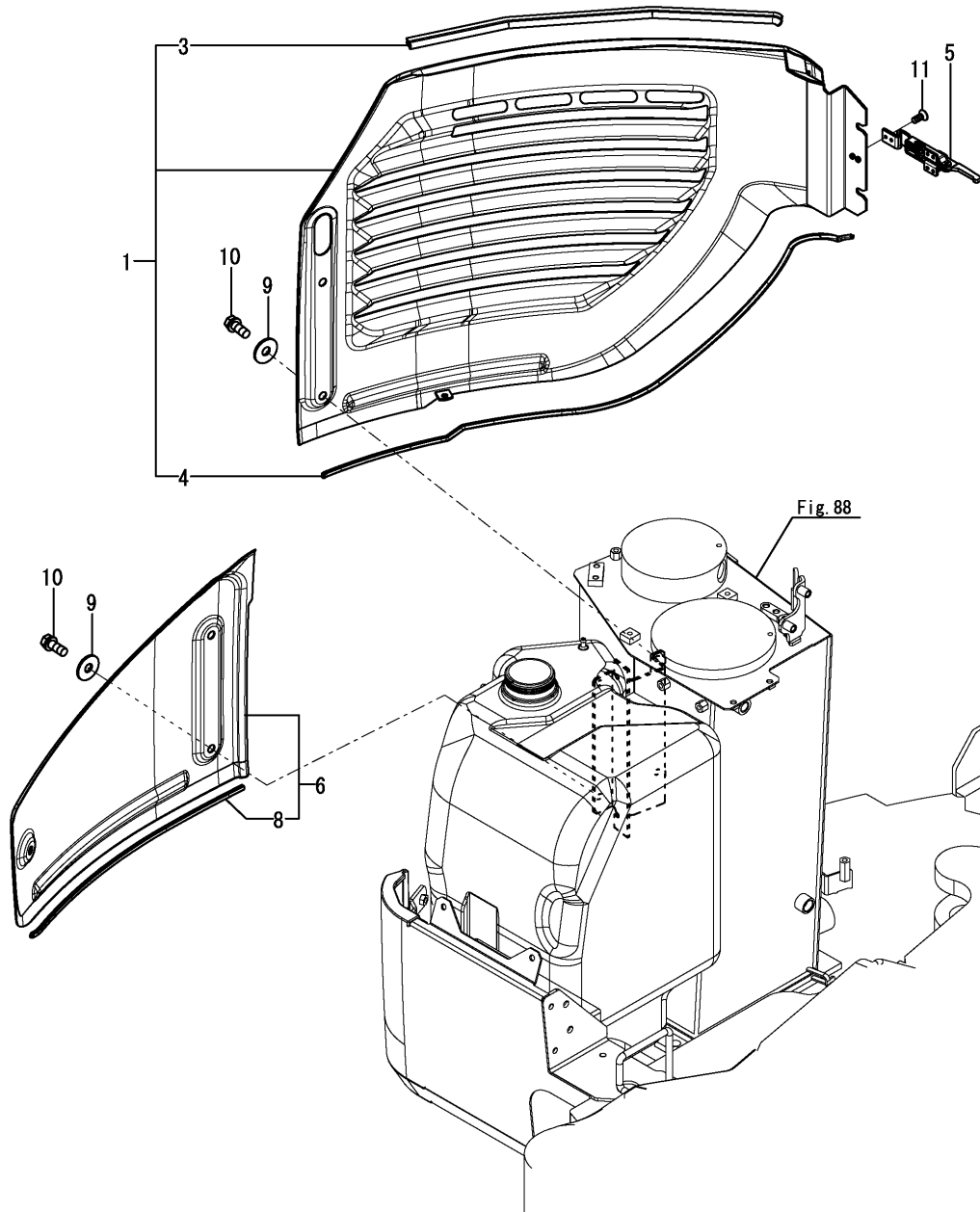
OCS10-G55700 47. BONNET(SIDE : LEFT)

(A)=VIO80(US)
(B)=VIO80(AS)
(C)=VIO80(NZ)

(D)=
(E)=
(F)=

REF.	LEV.	PARTS NO.	DESCRIPTION	Q'TY						I	R
				(A)	(B)	(C)	(D)	(E)	(F)		
1	1	172A69-61490	COVER, FRAME	1	1	1					
1-1	1	172A69-61490-Y	COVER, FRAME	1	1	1					S
		(A=M92001) (B=M92001) (C=M92001)									
2	1	172A89-65600	BONNET L ASSY (2J)	1	1	1					
2-1	1	172A89-65600-Y	BONNET L ASSY	1	1	1					S
		(A=M92001) (B=M92001) (C=M92001)									
3	2	172162-15310	SEAL	1	1	1					
5	2	172A89-65630	EV,BONNET L	1	1	1					
6	2	172A69-65670	TRIM	1	1	1					
7	2	172171-65820	RUBBER,SEAL D	1	1	1					
8	1	22157-100000	WASHER	3	3	3					
9	1	26013-100252	BOLT	3	3	3					
10	1	26014-100252	BOLT	2	2	2					

Fig.48. BONNET(SIDE : RIGHT)



(A)=VIO80(US)
(B)=VIO80(AS)
(C)=VIO80(NZ)

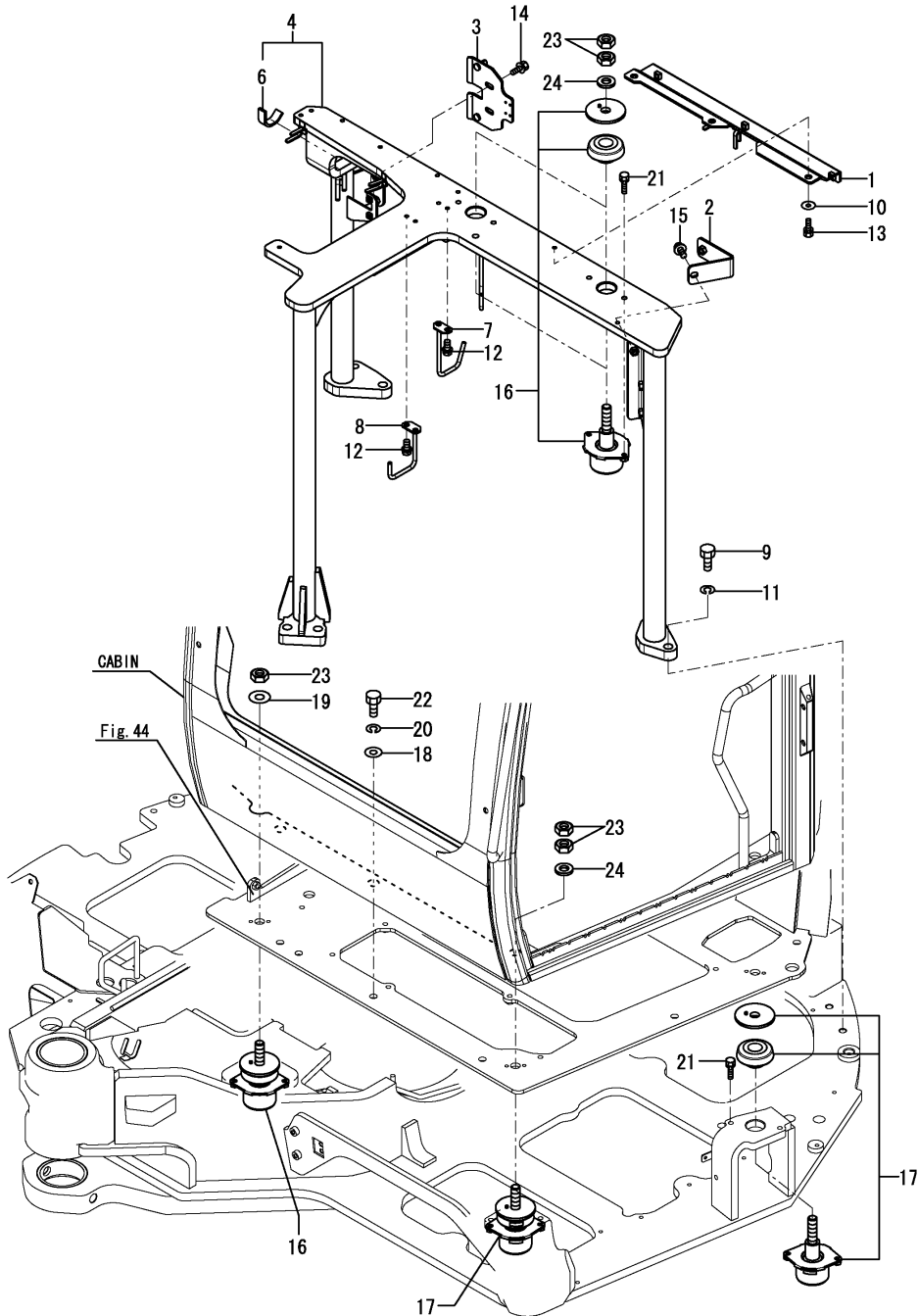
(D)=
(E)=
(F)=

REF.	LEV.	PARTS NO.	DESCRIPTION	QTY						I	R
				(A)	(B)	(C)	(D)	(E)	(F)		
1	1	172A89-65800	BONNET R ASSY (2J)	1	1	1					
1-1	1	172A89-65800-Y	BONNET R ASSY	1	1	1					S
		(A=M92001) (B=M92001) (C=M92001)									
3	2	172A89-65850	RUBBER,SEAL 670	1	1	1					
4	2	172A89-65860	TRIM,1160	1	1	1					
5	1	172A69-65871	LOCK GRIP,BONNET	1	1	1					
6	1	172A69-65900	BONNET ASSY	1	1	1					
6-1	1	172A69-65900-Y	BONNET ASSY	1	1	1					S
		(A=M92001) (B=M92001) (C=M92001)									
8	2	172A69-65920	TRIM	1	1	1					
9	1	22157-100000	WASHER	5	5	5					
10	1	26013-100252	BOLT	5	5	5					
11	1	26577-050122	SCREW	6	6	6					

Fig.49. CABIN MOUNT

(A)=VIO80(US)
 (B)=VIO80(AS)
 (C)=VIO80(NZ)

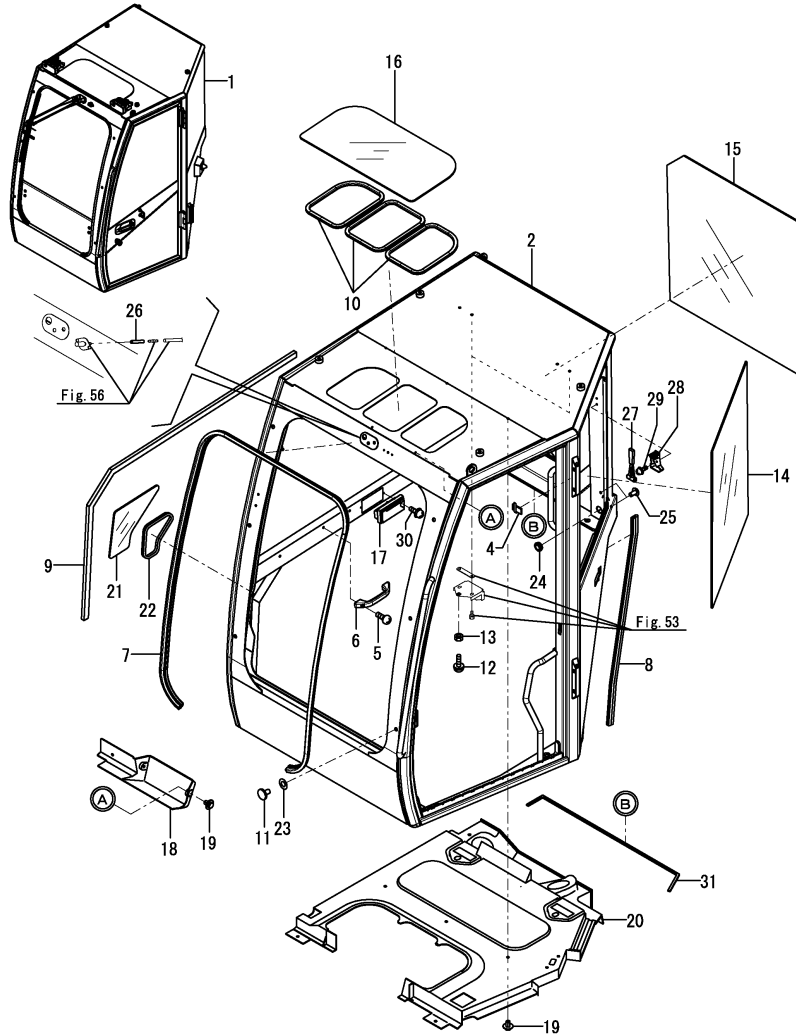
(D)=
 (E)=
 (F)=



REF.	LEV.	PARTS NO.	DESCRIPTION	QTY						I	R
				(A)	(B)	(C)	(D)	(E)	(F)		
1	1	172A89-65200	BK ASSY,BONNET A	1	1	1					
2	1	172A89-65660	STAY ASSY,BONNET L	1	1	1					
3	1	172A89-65950	BRACKET ASSY,BR	1	1	1					
4	1	172A89-67100	BRACKET ASSY,CAB M	1	1	1					
6	2	172A89-67450	SOUND SHIELD,105	1	1	1					
7	1	172A89-67360	GUIDE ASSY,C HOSE	1	1	1					
8	1	172A89-67390	GUIDE ASSY,E HOSE	1	1	1					
9	1	172460-73320	BOLT	6	6	6					
10	1	22157-100000	WASHER 10	3	3	3					
11	1	22217-160000	SPRING WASHER 16	6	6	6					
12	1	26013-100202	BOLT W/WASHER M10X20	4	4	4					
13	1	26013-100252	BOLT W/WASHER M10X25	3	3	3					
14	1	26014-100252	BOLT 10X25 W/PLW+SPW	2	2	2					
15	1	26014-100252	BOLT 10X25 W/PLW+SPW	1	1	1					
16	1	172A69-64160	MOUNT ASSY,60HS	3	3	3					
17	1	172A69-64170	MOUNT ASSY,70HS	2	2	2					
18	1	22137-160000	WASHER 16,POLISHED	6	6	6					
19	1	22137-200000	WASHER, 20	1	1	1					
20	1	22217-160000	SPRING WASHER 16	6	6	6					
21	1	26013-100352	BOLT M10X 35	10	10	10					
22	1	26076-160402	BOLT 10.9 16X40	6	6	6					
23	1	26716-200002	NUT M20	9	9	9					
24	1	933172-14120	WASHER 21X40X6	4	4	4					

Fig.50. CABIN(BODY)

CABIN ASSY
172A69-68000
Fig. 50 Ref. No. 1
INC. Fig. 50 Ref. No. 2~31.
Fig. 51~56.



Remarks
(1)PLEASE USE THIS PART WITH FOLLOW-
ING LABEL AT THE SAME TIME.
REF.NO.32A & 32B.
(2)PLEASE USE THIS PART WITH FOLLOW-
ING LABEL AT THE SAME TIME.
REF.NO.33A.
(3)LABEL IS NOT ILLUSTRATED.

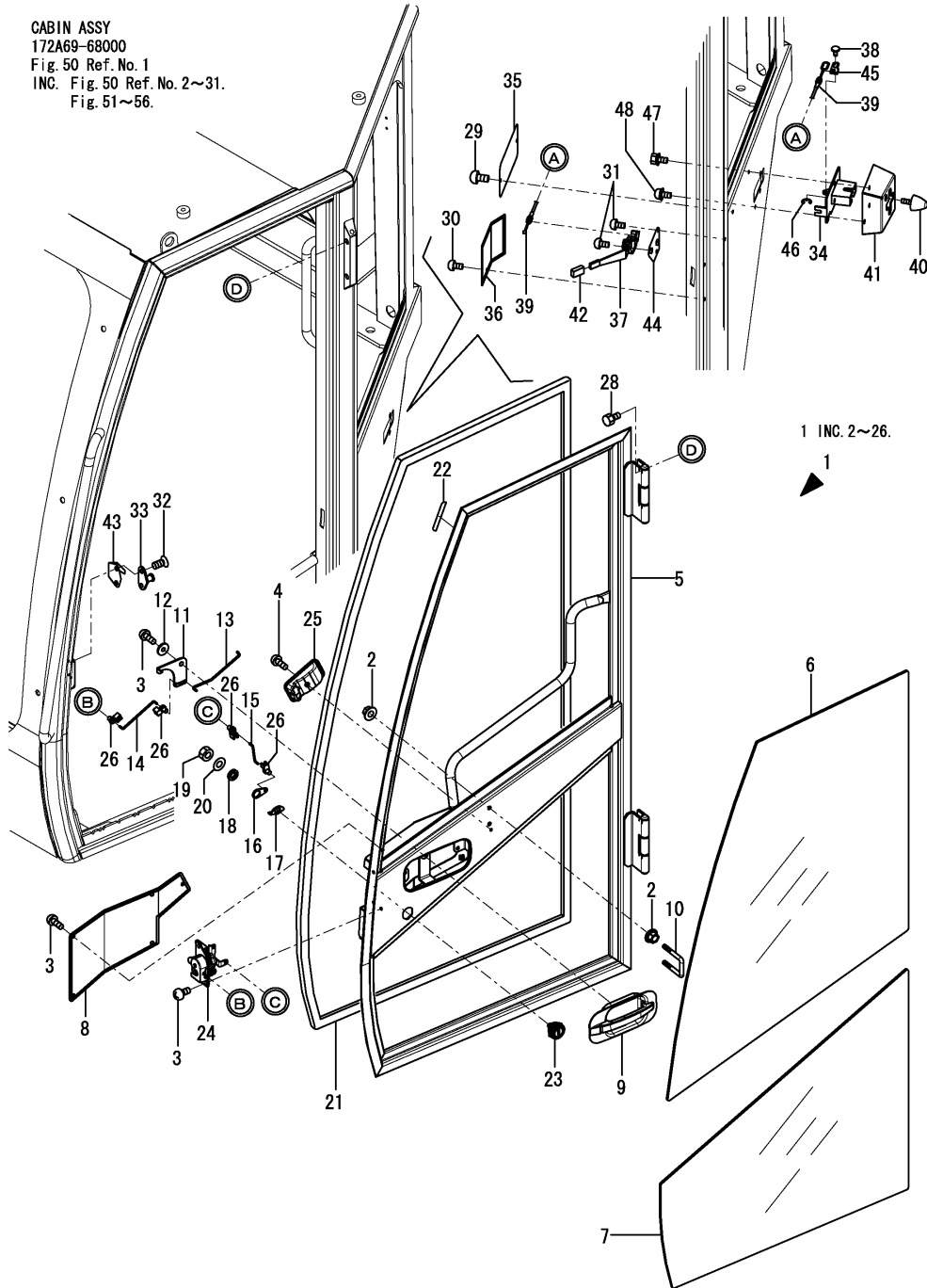
(A)=VIO80(US)
(B)=VIO80(AS)
(C)=VIO80(NZ)

(D)=
(E)=
(F)=

REF.	LEV.	PARTS NO.	DESCRIPTION	QTY						I	R
				(A)	(B)	(C)	(D)	(E)	(F)		
1	1	172A69-68000	CAB ASSY	1	1	1					
2	2	172A69-68010	FRAME,CAB CMP	1	1	1					1
4	2	172538-67250	CLIP	1	1	1					
5	2	172538-67720	SCREW,M6X16 BK	2	2	2					
6	2	172538-68910	GRIP	1	1	1					
7	2	172A69-69560	RUBBER,TRIM	1	1	1					
8	2	172A69-69570	RUBBUR,P	1	1	1					
9	2	172A69-69580	SEAL PACKIN	1	1	1					
10	2	172A69-69590	RUBBER,TRIM	1	1	1					
11	2	172A69-69600	CLIP	10	10	10					
12	2	172A69-69610	STOPPER RUBBER	2	2	2					
13	2	172A69-69620	NUT,M8 BK	2	2	2					
14	2	172A69-69630	GLASS,DOOR REAR	1	1	1					
15	2	172A69-69640	GLASS,REAR	1	1	1					2
16	2	172A69-69650	POLYCARBONATE	1	1	1					
17	2	172A69-69660	ASHTRAY	1	1	1					
18	2	172A69-69680	INTERIOR,WIPER MOTOR	1	1	1					
19	2	172A69-69690	FASTENER	11	11	11					
20	2	172A69-69720	INTERIOR,ROOF	1	1	1					
20-1	2	172A69-69721	INTERIOR,ROOF	1	1	1					N
		(A=MZZZZZ) (B=MZZZZZ) (C=MZZZZZ)									
21	2	172A69-69730	GLASS	1	1	1					
22	2	172A69-69740	GERNISYU	1	1	1					
23	2	172A69-69750	RUBBER,PACKIN	10	10	10					
24	2	172A69-69760	GROMMET	1	1	1					
25	2	172A69-69770	BOLT,CAP	2	2	2					
26	2	172A69-69780	HOSE,WASHER	1	1	1					
27	2	172A69-69790	HAMMER	1	1	1					
28	2	172A69-69800	BRACKET,HAMMER	1	1	1					
29	2	26023-050162	SCREW, M5X16	2	2	2					
30	2	26023-050162	SCREW, M5X16	2	2	2					
31	2	172A69-69670	SEAL PACKIN	1	1	1					W
		(A=MXXXXX) (B=MXXXXX) (C=MXXXXX)									
32A	1	172437-03302	LABEL, MANUAL US	1	1	1					3
32B	1	172437-03471	LABEL, LEVER LOCK US	1	1	1					3
33A	1	172A89-03360	LABEL,LIFT Q	1	1	1					3

Fig.51. CABIN(DOOR)

CABIN ASSY
172A69-68000
Fig. 50 Ref. No. 1
INC. Fig. 50 Ref. No. 2~31.
Fig. 51~56.



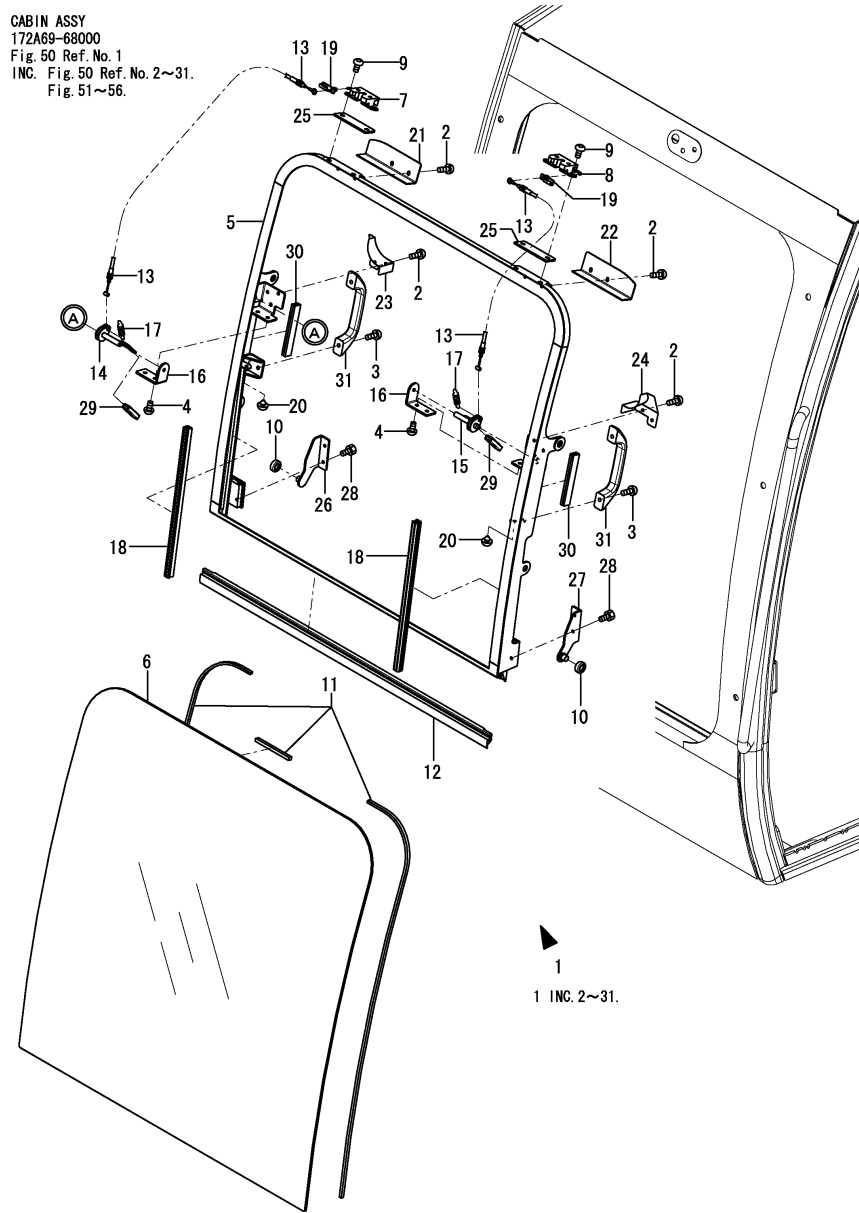
OCS10-G55700 51. CABIN(DOOR)

(A)=VIO80(US)
(B)=VIO80(AS)
(C)=VIO80(NZ)

(D)=
(E)=
(F)=

REF.	LEV.	PARTS NO.	DESCRIPTION	QTY						I	R
				(A)	(B)	(C)	(D)	(E)	(F)		
1	2	172A69-68050	DOOR ASSY	1	1	1					
2	3	172538-67680	NUT,FLANGE M10 BK	4	4	4					
3	3	172538-67720	SCREW,M6X16 BK	11	11	11					
4	3	172538-67780	SCREW,M5X12 BK	1	1	1					
5	3	172A69-68060	FRAME,DOOR	1	1	1					
6	3	172A69-68070	GLASS,DOOR TOP	1	1	1					
7	3	172A69-68080	GLASS,DOOR BOTTOM	1	1	1					
8	3	172A69-68090	COVER	1	1	1					
9	3	172A69-68100	STEERING,ASSY	1	1	1					
10	3	172A69-68110	BOLT,U	1	1	1					
11	3	172A69-68120	PLATE	1	1	1					
12	3	172A69-68130	WASHER	1	1	1					
13	3	172A69-68140	LINK,A	1	1	1					
14	3	172A69-68150	LINK,B	1	1	1					
15	3	172A69-68160	LINK,C	1	1	1					
16	3	172A69-68170	PLATE	1	1	1					
17	3	172A69-68180	PLATE	1	1	1					
18	3	172A69-68190	SPACER	1	1	1					
19	3	172A69-68200	NAT,M10 BK	1	1	1					
20	3	172A69-68210	WASHER,PLATE	1	1	1					
21	3	172A69-68220	RUBBER	1	1	1					
22	3	172A69-68230	RUBBER	2	2	2					
23	3	172538-68730	KEY CYLINDER ASSY	1	1	1					
24	3	172538-68780	LOCK ASSY LH	1	1	1					
25	3	172538-68890	INNER HANDLE	1	1	1					
26	3	172538-68960	HOLDER,LINK	4	4	4					
28	2	172538-67630	BOLT,M10X25	4	4	4					
29	2	172538-67660	SCREW,M6X16 BK	2	2	2					
30	2	172538-67660	SCREW,M6X16 BK	2	2	2					
31	2	172538-67660	SCREW,M6X16 BK	4	4	4					
32	2	172A69-69060	SCREW,M8 TWOSDLOCK	2	2	2					
33	2	172A69-69260	STRIKER	1	1	1					
34	2	172A69-69270	CATCH ASSY	1	1	1					
35	2	172A69-69290	COVER,R	1	1	1					
36	2	172A69-69300	COVER,F	1	1	1					
37	2	172A69-69310	LEVER,ASSY	1	1	1					
38	2	172A69-69330	PIN	1	1	1					
39	2	172A69-69340	WIRE	1	1	1					
40	2	172A69-69350	STOPPER RUBBER	1	1	1					
41	2	172A69-69360	COVER	1	1	1					
42	2	172A69-69370	COVER,LEVER	1	1	1					
43	2	172A69-69380	COVER	1	1	1					
44	2	172A69-69390	BRACKET	1	1	1					
45	2	172A69-69400	PLATE	1	1	1					
46	2	22272-000040	CIRCLIP E- 4	1	1	1					
47	2	26014-080202	BOLT M 8X 20	2	2	2					
48	2	26023-060162	SCREW M 6X 16	1	1	1					

Fig.52. CABIN(FRONT WINDOW : 1)



CABIN ASSY
172A69-68000
Fig. 50 Ref. No. 1
INC. Fig. 50 Ref. No. 2~31.
Fig. 51~56.

OCS10-G55700 52. CABIN(FRONT WINDOW : 1)

(A)=VIO80(US)
(B)=VIO80(AS)
(C)=VIO80(NZ)

(D)=
(E)=
(F)=

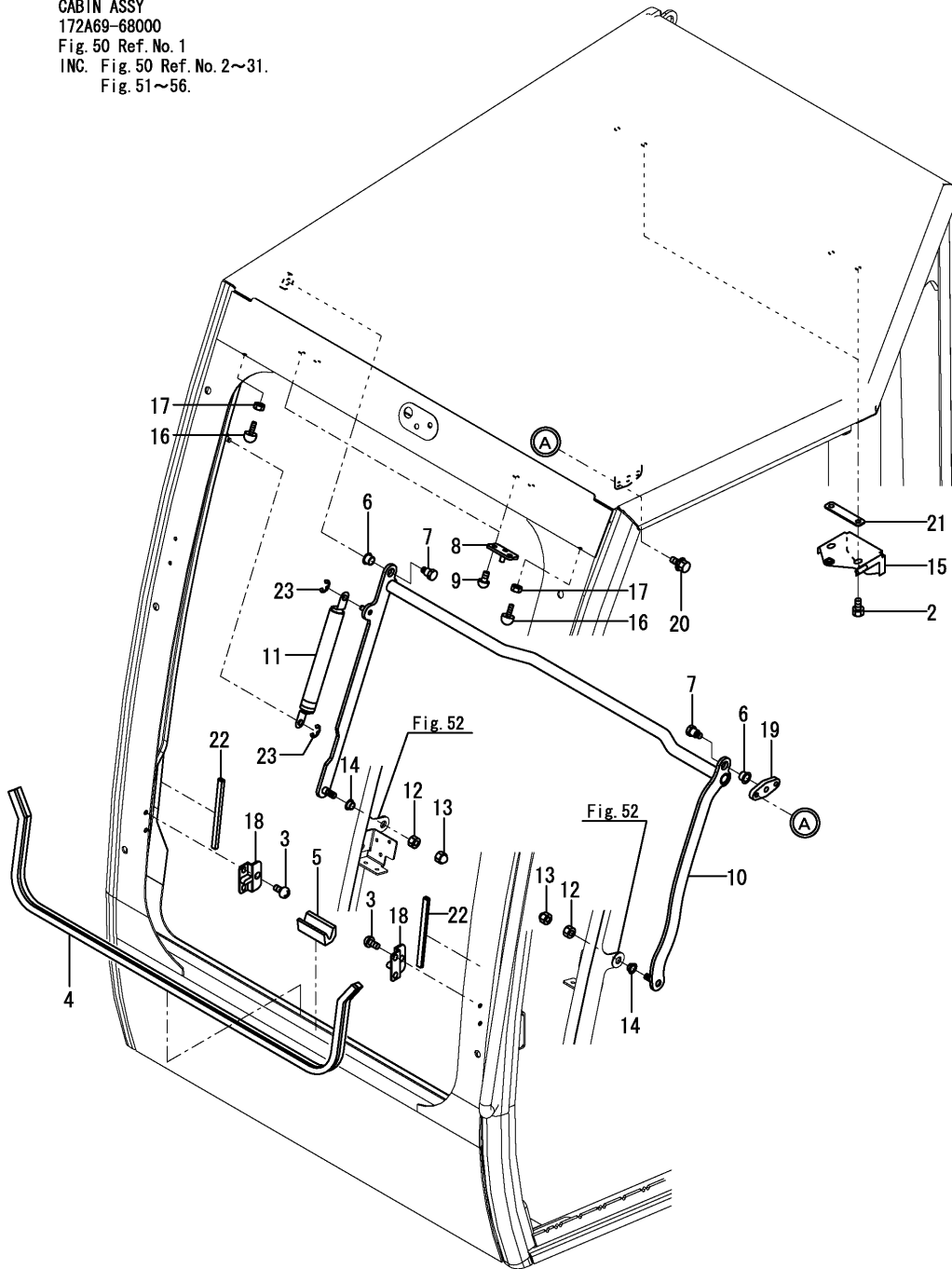
REF.	LEV.	PARTS NO.	DESCRIPTION	QTY						I	R
				(A)	(B)	(C)	(D)	(E)	(F)		
1	2	172A69-68250	FRONT,WINDOW ASSY	1	1	1					
2	3	172538-67650	SCREW,M5X14 BK	8	8	8					
3	3	172538-67720	SCREW,M6X16 BK	4	4	4					
4	3	172538-67720	SCREW,M6X16 BK	4	4	4					
5	3	172A69-68260	SLIDE FRONT,FRAME	1	1	1					
6	3	172A69-68270	GLASS,FRONT TOP	1	1	1					1
7	3	172A69-68280	SNATCH LOCK,R	1	1	1					
8	3	172A69-68290	SNATCH LOCK,L	1	1	1					
9	3	172A69-68300	HEXAGON HOLE BLTM8	4	4	4					
10	3	172A69-68310	ROLLER	2	2	2					
11	3	172A69-68320	DAM RUBBER	1	1	1					
12	3	172A69-68330	RUBBER SEAL	1	1	1					
13	3	172A69-68340	WIRE	2	2	2					
14	3	172A69-68350	LEVER,R	1	1	1					
15	3	172A69-68360	LEVER,L	1	1	1					
16	3	172A69-68370	BRACKET LEVER	2	2	2					
17	3	172A69-68380	COIL SPRING	2	2	2					
18	3	172A69-68390	LANCHANNEL	2	2	2					
19	3	172A69-68400	HOLDER LINK	2	2	2					
20	3	172A69-68410	STOPPER,RUBBER	2	2	2					
21	3	172A69-68420	COVER,LATCH R	1	1	1					
22	3	172A69-68430	COVER,LATCH L	1	1	1					
23	3	172A69-68440	COVER,R	1	1	1					
24	3	172A69-68450	COVER,L	1	1	1					
25	3	172A69-68460	PLATE,LATCH	2	2	2					
26	3	172A69-68470	BRACKET,ROLLER R	1	1	1					
27	3	172A69-68480	BRACKET,ROLLER L	1	1	1					
28	3	172A69-68490	BOLT,M8X18 BK	4	4	4					
29	3	172A69-68500	COVER,LEVER	2	2	2					
30	3	172A69-68510	GRNISHOO	2	2	2					
31	3	172538-68910	GRIP	2	2	2					
32A	1	172437-03551	LABEL, WINDOW US	1	1	1					2

Remarks

(1)PLEASE USE THIS PART WITH FOLLOW-
ING LABEL AT THE SAME TIME.
REF.NO.32A.
(2)LABEL IS NOT ILLUSTRATED.

Fig.53. CABIN(FRONT WINDOW : 2)

CABIN ASSY
172A69-68000
Fig. 50 Ref. No. 1
INC. Fig. 50 Ref. No. 2~31.
Fig. 51~56.



(A)=VIO80(US)
(B)=VIO80(AS)
(C)=VIO80(NZ)

(D)=
(E)=
(F)=

REF.	LEV.	PARTS NO.	DESCRIPTION	QTY						I	R
				(A)	(B)	(C)	(D)	(E)	(F)		
2	2	172538-66380	BOLT,M8X20 BK	4	4	4					
3	2	172538-67720	SCREW,M6X16 BK	4	4	4					
4	2	172A69-69010	RUBBER,TRIM	1	1	1					
5	2	172A69-69020	RUBBER,STOP	2	2	2					
6	2	172A69-69030	BEARING	2	2	2					
7	2	172A69-69040	BOLT,LINK	2	2	2					
8	2	172A69-69050	STRIKER,FRONT	2	2	2					
9	2	172A69-69060	SCREW,M8 TWOSDLOCK	4	4	4					
10	2	172A69-69070	LINK ASSY	1	1	1					
11	2	172A69-69080	GAS SPRING	1	1	1					
12	2	172A69-69090	NUT,M10 BK	2	2	2					
13	2	172A69-69100	BAG NUT,M10 BK	2	2	2					
14	2	172A69-69110	BEARING	2	2	2					
15	2	172A69-69130	STRIKER,REAR	2	2	2					
16	2	172A69-69140	STOPPER,RUBBER	2	2	2					
17	2	172A69-69150	NUT,M5 BK	2	2	2					
18	2	172A69-69160	PLATE,LATCH	2	2	2					
19	2	172A69-69170	SEAT,SCREW	1	1	1					
20	2	172A69-69180	BOLT,M8X16 BK	2	2	2					
21	2	172A69-69190	SPACER	2	2	2					
22	2	172A69-69200	GURNISYU	2	2	2					
23	2	22272-000070	CIRCLIP E- 7	2	2	2					

Fig.54. CABIN(WINDOW SASH & LOWER GLASS)

(A)=VIO80(US)

(B)=VIO80(AS)

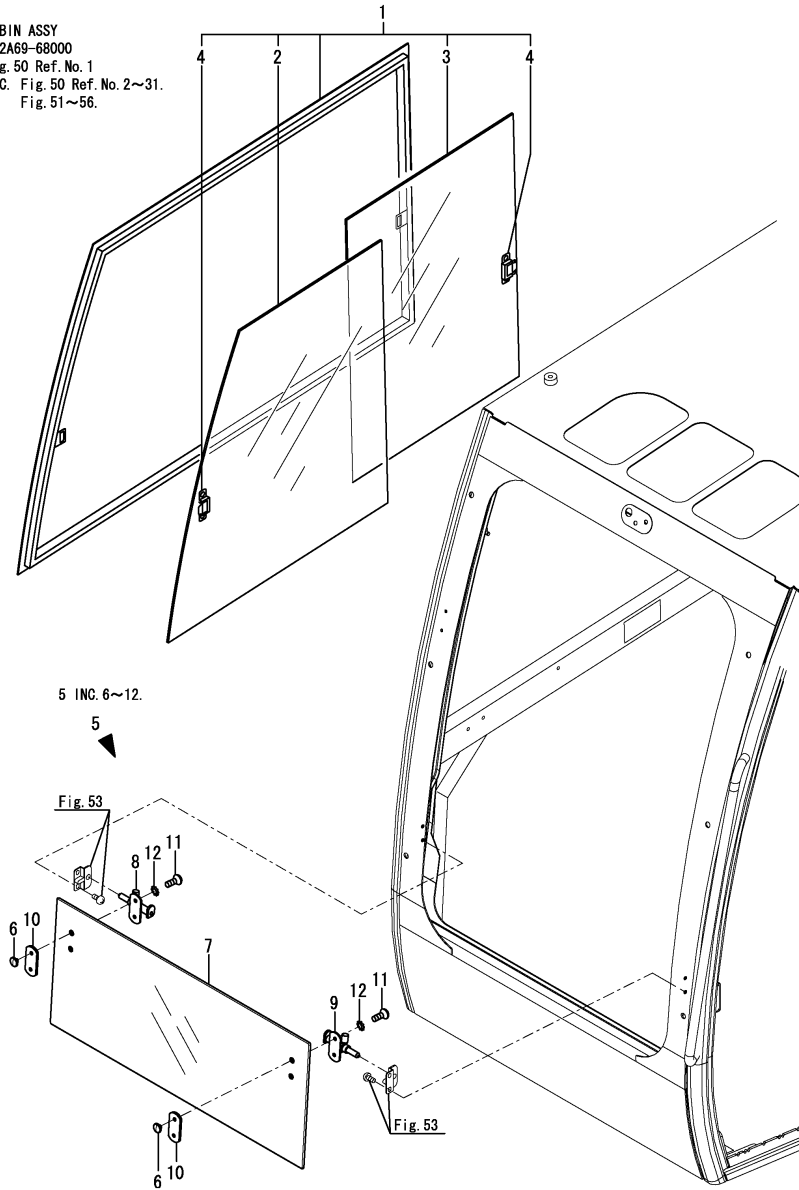
(C)=VIO80(NZ)

(D)=

(E)=

(F)=

CABIN ASSY
172A69-68000
Fig. 50 Ref. No. 1
INC. Fig. 50 Ref. No. 2~31.
Fig. 51~56.

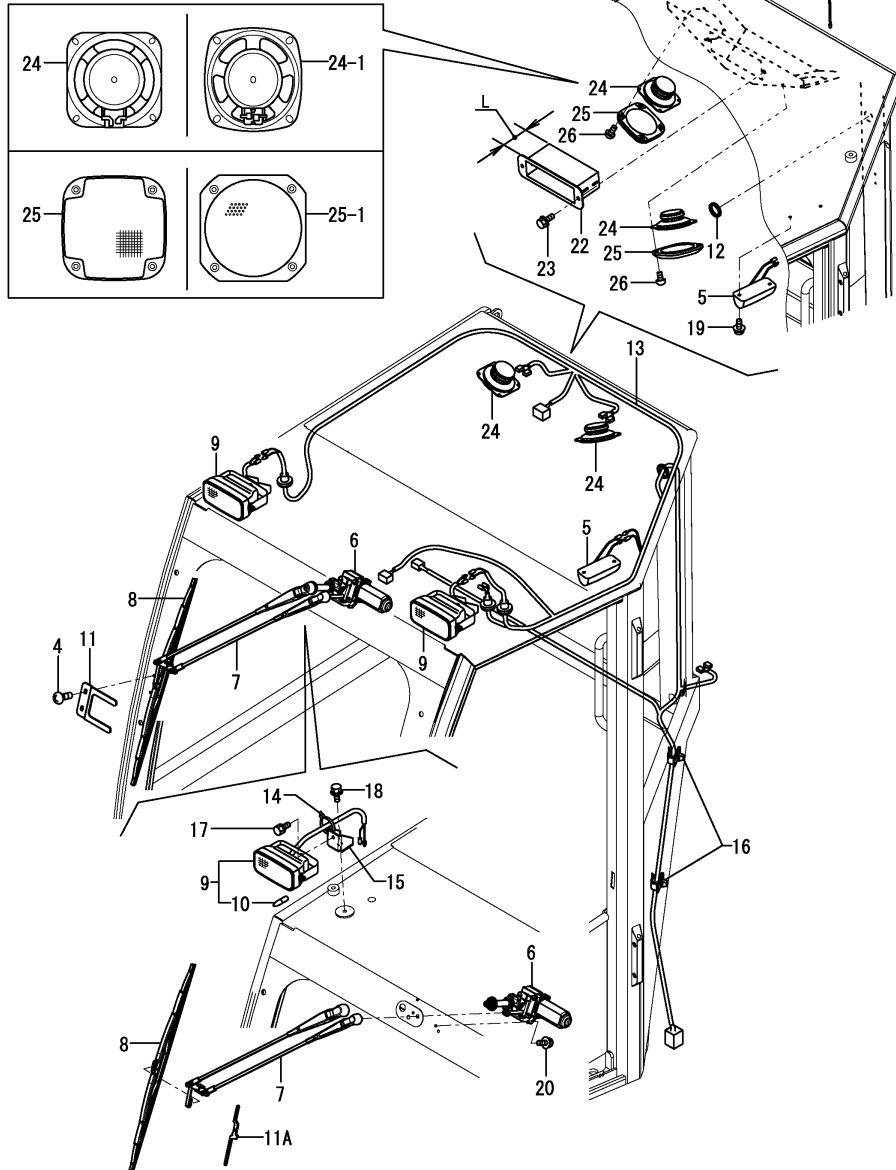


REF.	LEV.	PARTS NO.	DESCRIPTION	QTY						I	R
				(A)	(B)	(C)	(D)	(E)	(F)		
1	2	172A69-68550	SASH ASSY	1	1	1					
2	3	172A69-68560	GLASS FRONT	1	1	1					
3	3	172A69-68570	GLASS REAR	1	1	1					1
4	3	172A69-68580	LOCK,ASSY	2	2	2					
5	2	172A69-68600	LOWER GLASS,ASSY	1	1	1					
6	3	172538-67550	RETAINER	4	4	4					
7	3	172A69-68610	GLASS,FRONT LOWER	1	1	1					
8	3	172A69-68620	LATCH,R ASSY LOWRE	1	1	1					
9	3	172A69-68630	LATCH,L ASSY LOWRE	1	1	1					
10	3	172A69-68640	PACKIN	2	2	2					
11	3	172A69-68650	SCREW,M5X14 BK	4	4	4					
12	3	172A69-68660	WASHER,TWOSD LOCK	4	4	4					
13A	1	172472-03241	LABEL, PIN US	1	1	1					2
13B	1	172472-03271	LABEL, SAND US	1	1	1					2
13C	1	172472-03281	LABEL, WARNING HITCH	1	1	1					2
13D	1	172437-03312	LABEL,SLOPE US	1	1	1					2
13E	1	172437-03343	LABEL, TRANSPORT US	1	1	1					2
13F	1	172437-03372	LABEL, NEUTRAL US	1	1	1					2
13G	1	172437-03432	LABEL, STEERING US	1	1	1					2
13H	1	172437-03441	LABEL, ROPS US	1	1	1					2
13I	1	172437-03451	LABEL, SEAT BELT US	1	1	1					2

Remarks
(1)PLEASE USE THIS PART WITH FOLLOW-
ING LABEL AT THE SAME TIME.
REF.NO.13A,13B,13C,13D,13E,13F,13G
13H & 13I.
(2)LABEL IS NOT ILLUSTRATED.

Fig.55. CABIN(ELECTRIC)

CABIN ASSY
172A69-68000
Fig. 50 Ref. No. 1
INC. Fig. 50 Ref. No. 2~31.
Fig. 51~56.



Remarks

(1)Ref.No.22 L=91mm, No.22-1 L=96mm.

(A)=VIO80(US)
(B)=VIO80(AS)
(C)=VIO80(NZ)

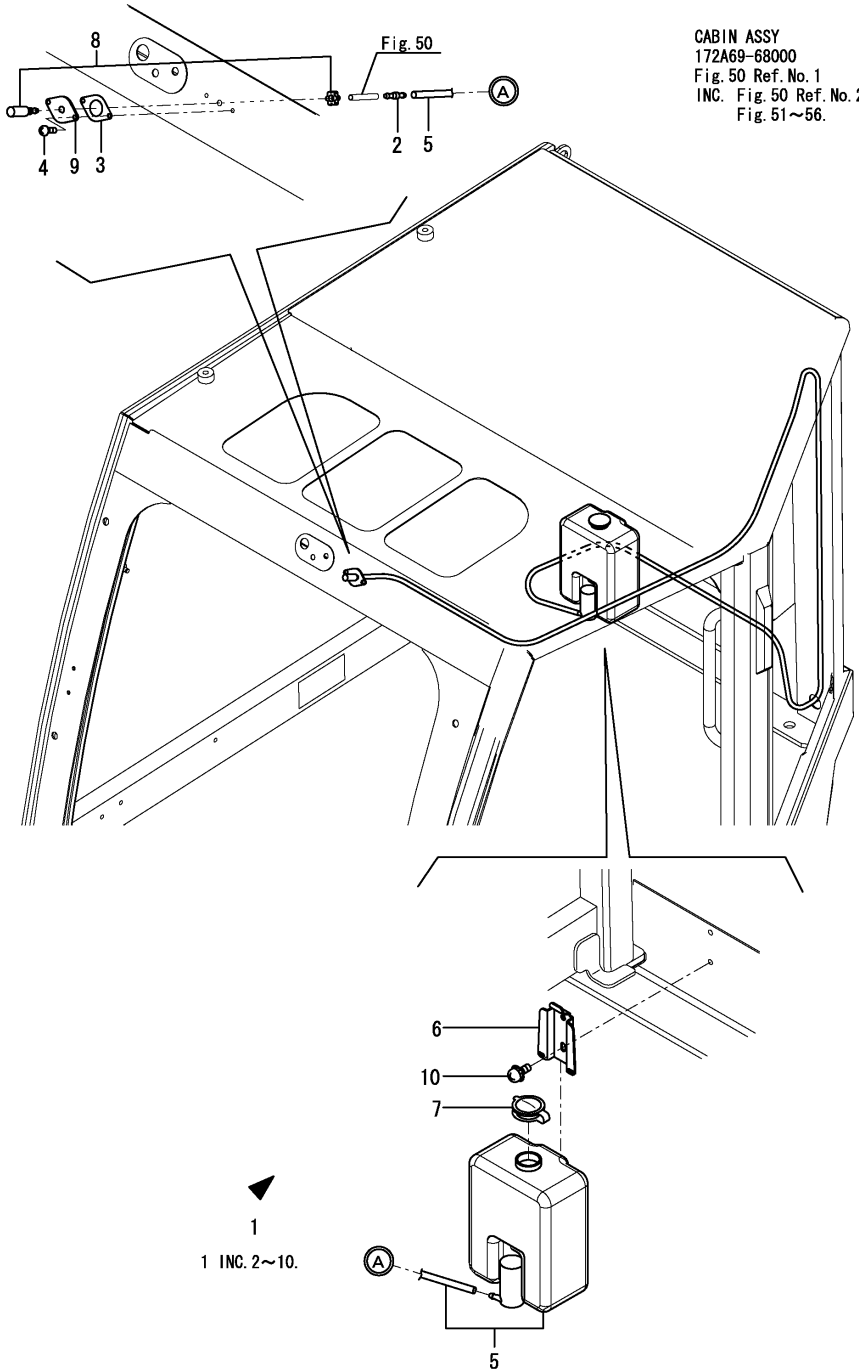
(D)=
(E)=
(F)=

REF.	LEV.	PARTS NO.	DESCRIPTION	QTY						I	R
				(A)	(B)	(C)	(D)	(E)	(F)		
2	2	172538-66640	ROD ASSY, ANTENNA	1	1	1					
3	2	172538-67660	SCREW	2	2	2					
4	2	172538-67720	SCREW	2	2	2					
5	2	172538-68540	LAMP ASSY, ROOM	1	1	1					
6	2	172A69-68710	MOTOR, WIPER	1	1	1					
7	2	172A69-68720	ARM, WIPER	1	1	1					
8	2	172A69-68730	BLADE, WIPER	1	1	1					
9	2	172A69-68740	LAMP, WORK	2	2	2					
10	3	172458-17420	BULB	4	4	4					
11	2	172A69-68750	BRACKET, WIPER	1	1	1					
11A	2	172A69-68760	PLATE, WIPER ARM	1	1	1					W
		(A=MXXXXX) (B=MXXXXX) (C=MXXXXX)									
12	2	172A69-68770	GROMMET	1	1	1					
13	2	172A69-68780	HARNESS, MAIN	1	1	1					
13-1	2	172A89-68780	HARNESS, MAIN	1	1	1					N
		(A=MZZZZZ) (B=MZZZZZ) (C=MZZZZZ)									
14	2	172A69-68790	PLATE, LOCK	2	2	2					
15	2	172A69-68800	BRACKET	2	2	2					
16	2	172A69-68820	CLIP	2	2	2					
17	2	172A69-69470	BOLT	2	2	2					
18	2	26014-100202	BOLT	2	2	2					
19	2	26023-050162	SCREW	2	2	2					
20	2	26023-060162	SCREW	3	3	3					
22	2	172A69-69460	BRACKET, RADIO	1	1	1					1
22-1	2	172A69-69461	BRACKET, RADIO	1	1	1					S 1
		(A=MZZZZZ) (B=MZZZZZ) (C=MZZZZZ)									
23	2	172A69-69470	BOLT	2	2	2					
24	2	172A69-69480	SPEAKER	2	2	2					
24-1	2	172A69-69481	SPEAKER	2	2	2					S
		(A=MZZZZZ) (B=MZZZZZ) (C=MZZZZZ)									
25	2	172A69-69490	SPEAKER	2	2	2					
25-1	2	172A69-69491	GRILLE, SPEAKER	2	2	2					S
		(A=MZZZZZ) (B=MZZZZZ) (C=MZZZZZ)									
26	2	172A69-69500	SCREW	8	8	8					

Fig.56. CABIN(WASHER TANK)

(A)=VIO80(US)
 (B)=VIO80(AS)
 (C)=VIO80(NZ)

(D)=
 (E)=
 (F)=



CABIN ASSY
 172A69-68000
 Fig. 50 Ref. No. 1
 INC. Fig. 50 Ref. No. 2~31.
 Fig. 51~56.

REF.	LEV.	PARTS NO.	DESCRIPTION	QTY						I	R
				(A)	(B)	(C)	(D)	(E)	(F)		
1	2	172A69-68900	WASHER TANK,ASSY	1	1	1					
2	3	172538-66480	CHECK VALVE	1	1	1					
3	3	172538-66530	PACKING	1	1	1					
4	3	172538-67640	SCREW,M4X16 BK	2	2	2					
5	3	172A69-68910	WASHER TANK	1	1	1					
6	3	172A69-68920	BRACKET,WIND WASHER	1	1	1					
7	3	172A69-68930	CAP,PACKING	1	1	1					
8	3	172A69-68940	WASHER,NOZZLE	1	1	1					
9	3	172A69-68960	PLATE	1	1	1					
10	3	26023-060162	SCREW M 6X 16	2	2	2					

Fig.57. CABIN(REAVIEW MIRROR & ACCESSORY)

(A)=VIO80(US)

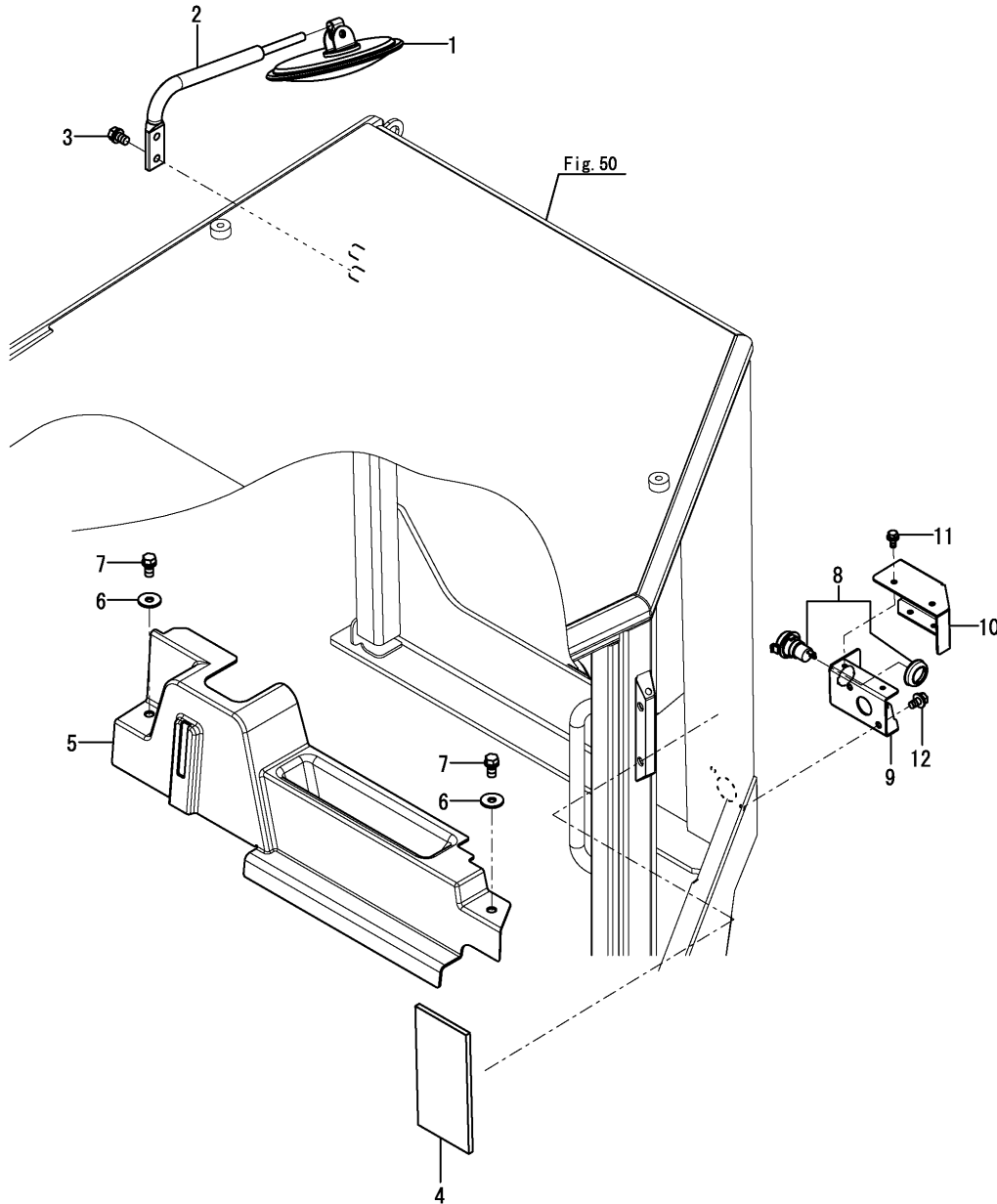
(B)=VIO80(AS)

(C)=VIO80(NZ)

(D)=

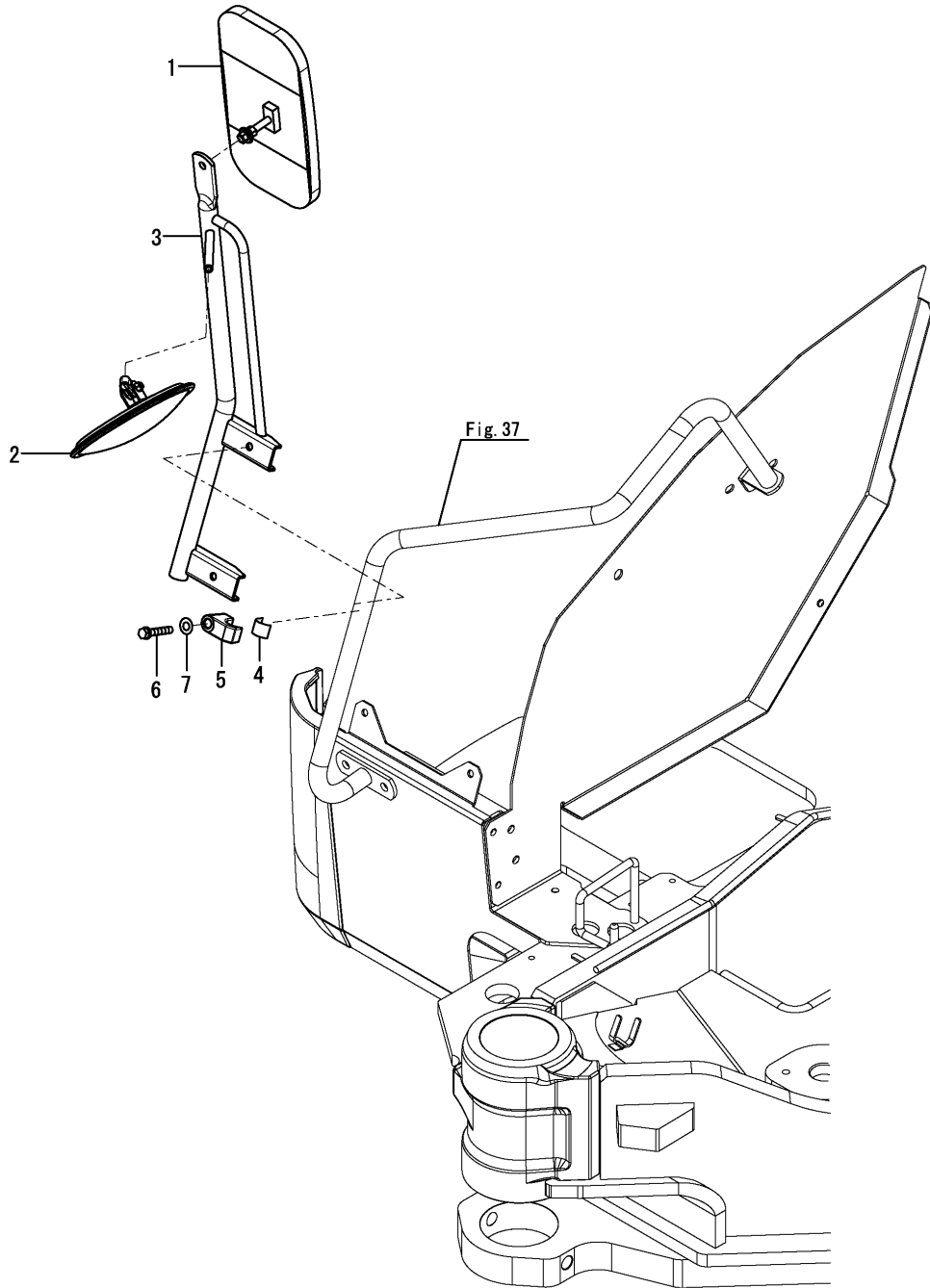
(E)=

(F)=



REF.	LEV.	PARTS NO.	DESCRIPTION	QTY						I	R
				(A)	(B)	(C)	(D)	(E)	(F)		
1	1	172A25-68500	REARVIEW MIRROR	1	1	1					
2	1	172A69-68850	BRACKET ,MIRROR (49)	1	1	1					
3	1	26013-100252	BOLT W/WASHER M10X25	2	2	2					
4	1	172446-62910	RUBBER PLATE	1	1	1					
5	1	172A69-68950	COVER,WASHER TANK	1	1	1					
6	1	22157-080000	WASHER 8	2	2	2					
7	1	26013-080162	BOLT W/WASHER M8X16	2	2	2					
8	1	172A64-17250	SOCKET ASSY	1	1	1					
9	1	172A69-69910	CIGA BOX ASSY (49)	1	1	1					
10	1	172A69-69930	COVER,CIGA BOX (49)		1	1					
11	1	26014-060122	BOLT M 6X 12		4	4					
12	1	26014-080162	BOLT M 8X 16		2	2					

Fig.58. SIDE MIRROR



OCS10-G55700 58. SIDE MIRROR

(A)=VIO80(US)
(B)=VIO80(AS)
(C)=VIO80(NZ)

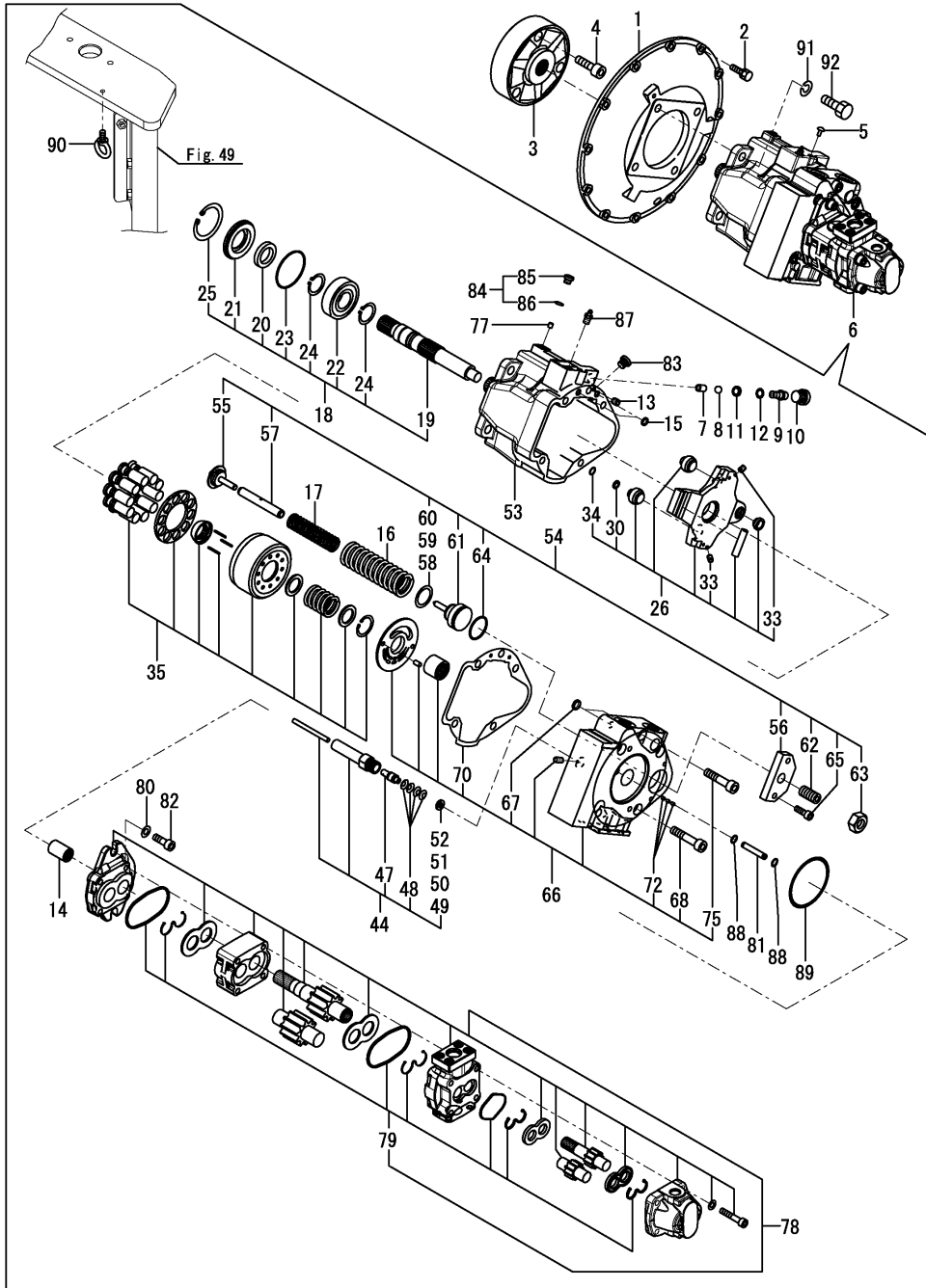
(D)=
(E)=
(F)=

REF.	LEV.	PARTS NO.	DESCRIPTION	QTY						I	R
				(A)	(B)	(C)	(D)	(E)	(F)		
1	1	1W3855-50160	MIRROR ASSY	1	1	1					
2	1	172A25-68500	MIRROR, REARVIEW	1	1	1					
3	1	172A69-69810	MIRROR ASSY, SIDE	1	1	1					
3-1	1	172A69-69810-Y (A=M92001) (B=M92001) (C=M92001)	MIRROR ASSY, SIDE	1	1	1					S
4	1	172A69-69880	RUBBER, CLAMP	2	2	2					
4-1	1	172A69-69881 (A=M10509) (B=M10509) (C=M10509)	SHEET, NON SLIP	2	2	2					N
5	1	172142-76940-2	CLAMP	2	2	2					
5-1	1	172142-76940-Y (A=M92001) (B=M92001) (C=M92001)	CLAMP	2	2	2					S
6	1	26013-100552	BOLT	2	2	2					
7	1	22137-100000	WASHER	2	2	2					

Fig.59. HYD.OIL PUMP & JOINT

(A)=VIO80(US)
(B)=VIO80(AS)
(C)=VIO80(NZ)

(D)=
(E)=
(F)=



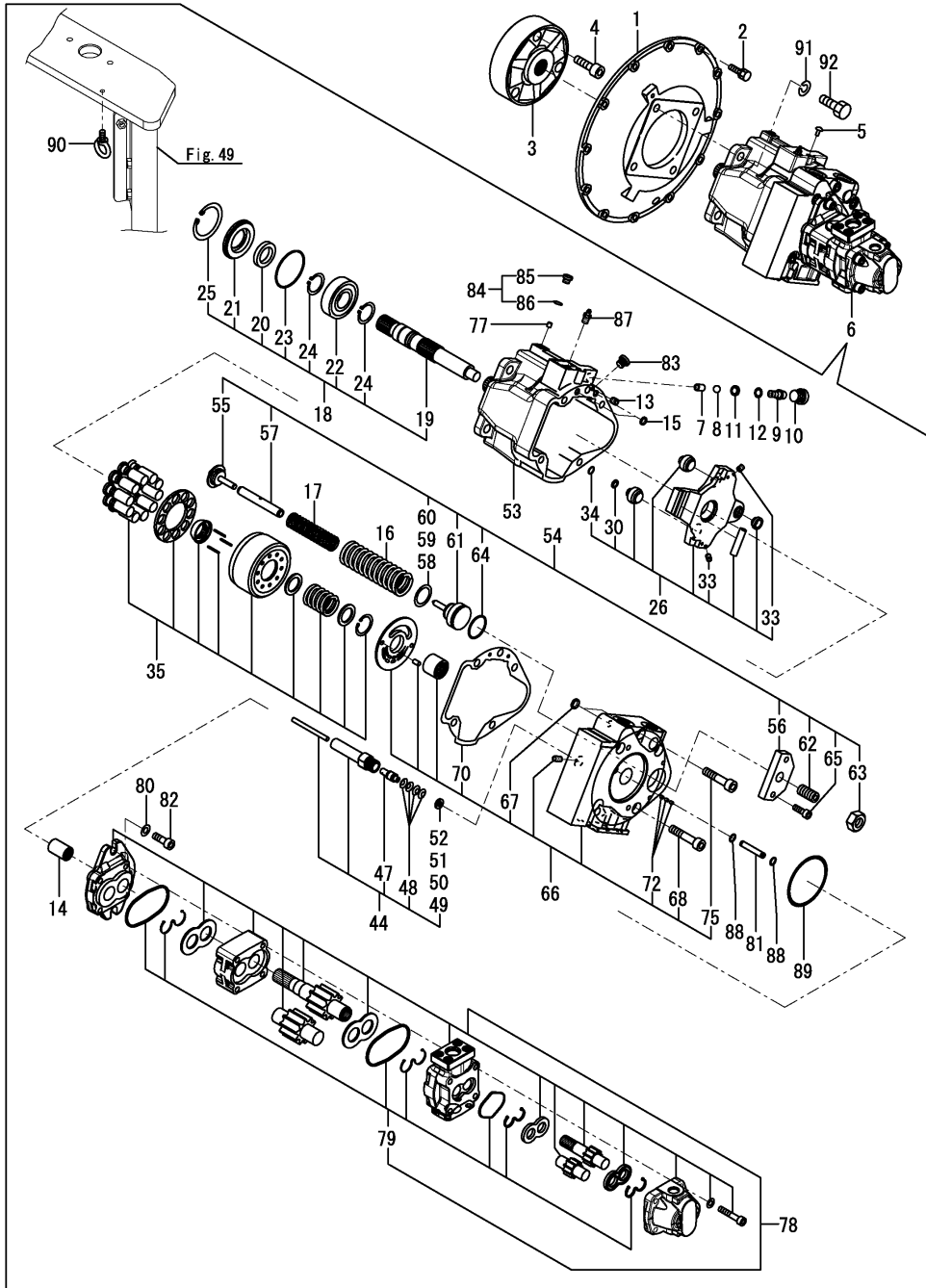
REF.	LEV.	PARTS NO.	DESCRIPTION	QTY						I	R
				(A)	(B)	(C)	(D)	(E)	(F)		
1	1	172187-71100	COVER, FLYWHEEL	1	1	1					
2	1	26013-100302	BOLT	12	12	12					
3	1	172499-71200	COUPLING	1	1	1					
4	1	172187-71210	BOLT	3	3	3					
5	1	172122-17190	CLIP, TREE	1	1	1					
6	1	172A89-73100	PUMP ASSY	1	1	1					
6-1	1	172A89-73101	PUMP ASSY	1	1	1					N
		(A=MZZZZZ) (B=MZZZZZ) (C=MZZZZZ)									
7	2	172499-70600	BUSH	1	1	1					
8	2	172499-70610	BALL, STEEL	1	1	1					
9	2	172499-70620	PLUG	1	1	1					
10	2	172499-70630	PLUG	1	1	1					
11	2	172499-70640	PACKING	1	1	1					
12	2	172499-70650	SHIM	1	1	1					
13	2	172499-70660	PLUG	1	1	1					
14	2	172499-70680	COUPLING	1	1	1					
15	2	172499-70690	RING	2	2	2					
16	2	172499-70701	SPRING	1	1	1					
17	2	172499-70711	SPRING	1	1	1					
17-1	2	172A89-73190	SPRING	1	1	1					N
		(A=MZZZZZ) (B=MZZZZZ) (C=MZZZZZ)									
18	2	172499-71300	SHAFT ASSY	1	1	1					
19	3	172499-71450	SHAFT	1	1	1					
20	3	172187-73240	SEAL, OIL	1	1	1					
21	3	172187-73220	CASE, SEAL	1	1	1					
22	3	172187-73230	BEARING	1	1	1					
23	3	172187-73250	O-RING	1	1	1					
24	3	22242-000350	RING	2	2	2					
25	3	22252-000800	RING	1	1	1					
26	2	172499-71310	PLATE ASSY, SWASH	1	1	1					
30	3	172499-71500	RING	1	1	1					
33	3	172141-74720	PLUG	2	2	2					
34	3	24315-000110	O-RING	1	1	1					
35	2	172499-71320	ROTARY GROUP	1	1	1					
44	2	172499-71350	PISTON, CONTROL	1	1	1					
47	3	172499-71690	PISTON	1	1	1					
48	3	172499-71700	SPRING	4	4	4					
49	3	172499-71710	PIECE, DISTANCE	1	1	1					
50	3	172499-71720	PIECE, DISTANCE	1	1	1					
51	3	172499-71730	PIECE, DISTANCE	1	1	1					
52	3	172499-71740	PIECE, DISTANCE	1	1	1					
53	2	172499-71370	HOUSING	1	1	1					
54	2	172A69-73130	SPRING SEAT ASSY	1	1	1					
55	3	172499-71600	SPRING SEAT	1	1	1					
56	3	172499-71620	COVER	1	1	1					
57	3	172499-71630	GUIDE	1	1	1					
58	3	172499-71640	SHIM	1	1	1					
59	3	172499-71650	SHIM	1	1	1					
60	3	172499-71660	SHIM	1	1	1					
61	3	172A69-73140	SPRING SEAT	1	1	1					
62	3	172187-75720	SCREW, ADJUST	1	1	1					

N:Old $\frac{Yes}{No}$ New, Q:Old $\frac{No}{Yes}$ New, R:Old $\frac{Yes}{Yes}$ New, S:Old $\frac{No}{No}$ New, W:Add, Z:Discontinued, F:Interchangeable by set, K:Q'ty Change
 ++ CONTINUE ++
 (C)Copyrights YANMAR CO.,LTD.

Fig.59. HYD.OIL PUMP & JOINT

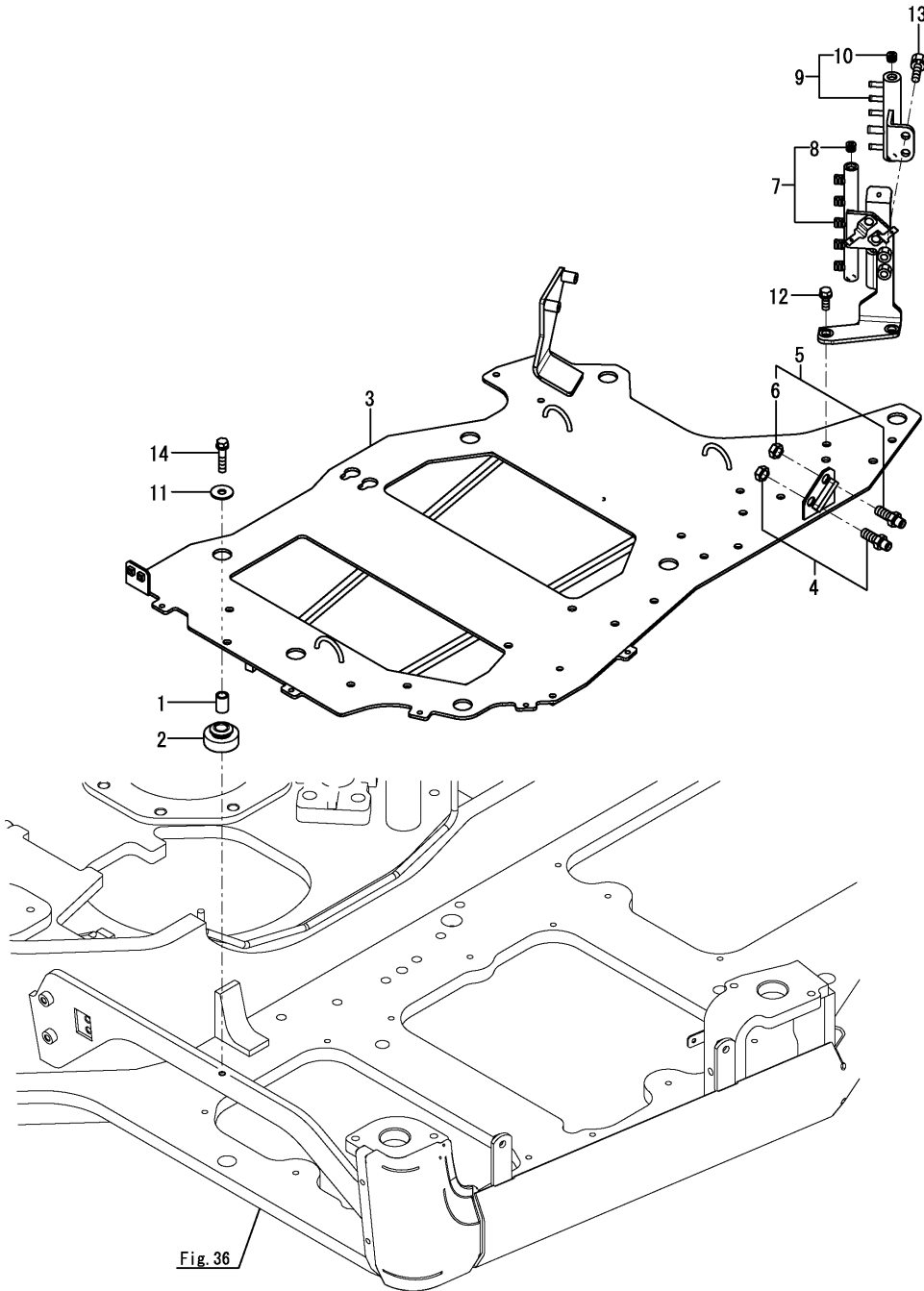
(A)=VIO80(US)
 (B)=VIO80(AS)
 (C)=VIO80(NZ)

(D)=
 (E)=
 (F)=



REF.	LEV.	PARTS NO.	DESCRIPTION	QTY						I	R
				(A)	(B)	(C)	(D)	(E)	(F)		
63	3	172187-75750	NUT	1	1	1					
64	3	24311-000440	O-RING	1	1	1					
65	3	26450-100302	BOLT	2	2	2					
66	2	172A89-73130	COVER ASY	1	1	1					
67	3	172499-70690	RING	2	2	2					
68	3	172499-71490	BOLT	4	4	4					
70	3	172499-71590	PACKING	1	1	1					
72	3	172147-73530	ORIFICE	3	3	3					
75	3	172187-75630	BOLT	1	1	1					
77	2	172147-73150	ORIFICE	1	1	1					
78	2	172A89-73150	GEAR PUMP	1	1	1					
79	3	172A89-73160	KIT,SEAL	1	1	1					
80	2	172A89-73170	PLAIN WASHER	2	2	2					
81	2	172A89-73180	SLEEVE	1	1	1					
82	2	172651-73430	SOCKET BOLT M12X 35	2	2	2					
83	2	172649-73680	PLUG	1	1	1					
84	2	172142-74590	PLUG	1	1	1					
85	3	172142-74650	PLUG	1	1	1					
86	3	24315-000080	O-RING	1	1	1					
87	2	172456-75430	PLUG, AIR VENT	1	1	1					
88	2	24315-000070	O-RING	2	2	2					
89	2	24325-001050	O-RING 1B G-105.0	1	1	1					
90	2	26617-100002	BOLT, EYE	1	1	1					
91	1	22217-160000	WASHER, SPRING	4	4	4					
92	1	26116-160452	BOLT	4	4	4					

Fig.60. CONTROL VALVE PLATE



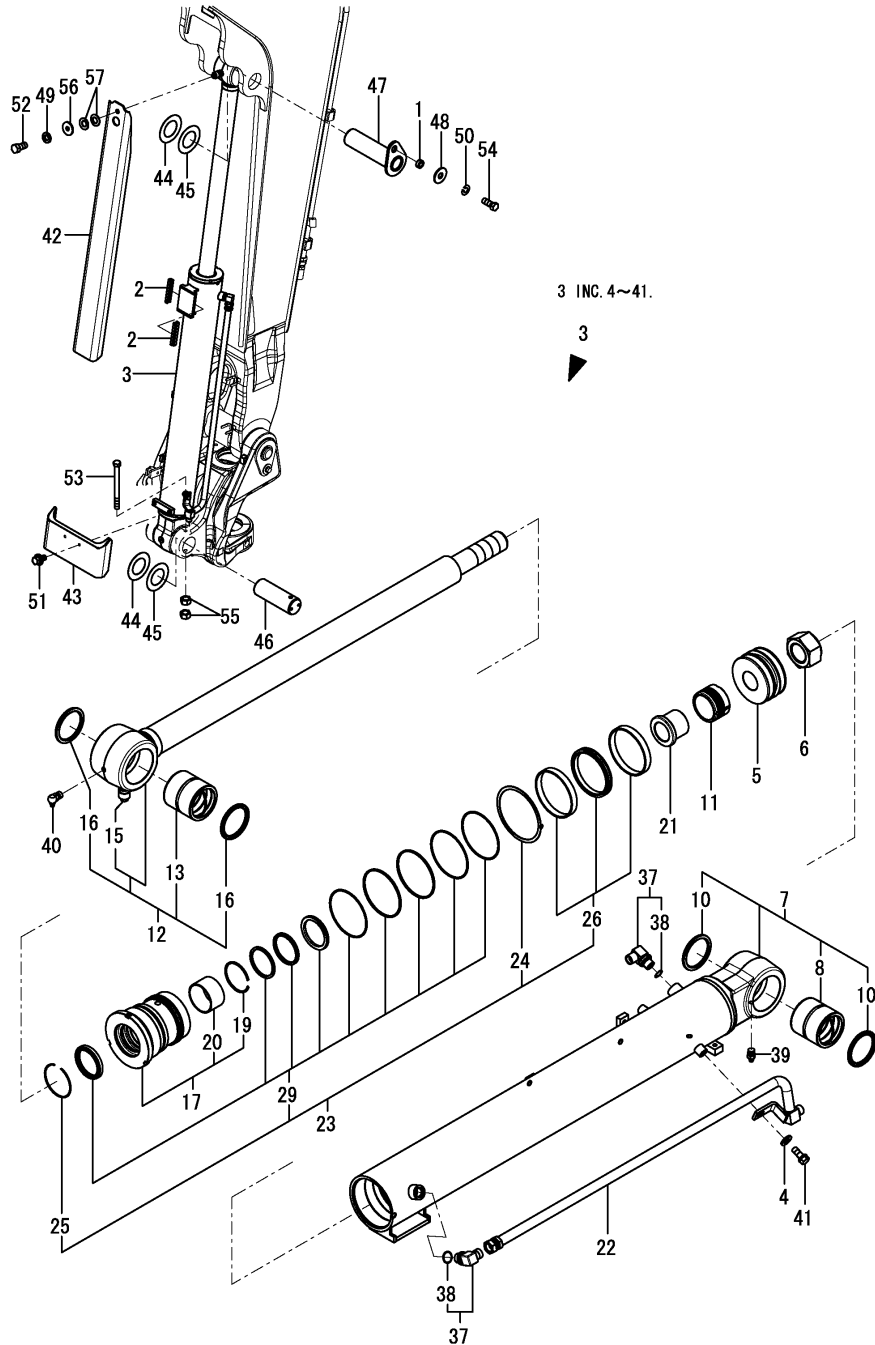
OCS10-G55700 60. CONTROL VALVE PLATE

(A)=VIO80(US)
 (B)=VIO80(AS)
 (C)=VIO80(NZ)

(D)=
 (E)=
 (F)=

REF.	LEV.	PARTS NO.	DESCRIPTION	QTY						I	R
				(A)	(B)	(C)	(D)	(E)	(F)		
1	1	172A69-71550	COLLAR	7	7	7					
2	1	172A69-71560	GROMMET17X50	7	7	7					
3	1	172A69-71600	PLATE ASSY,VALVE	1	1	1					
4	1	172151-76050	JOINT	1	1	1					
5	1	172A89-76150	JOINT	1	1	1					
6	2	172A89-76160	NUT,LOCK	1	1	1					
7	1	172A69-76680	BLOCK MOUNT ASSY	1	1	1					
8	2	23871-020000	PLUG PT1/4,SCREW	1	1	1					
9	1	172A69-76720	BLOCK MOUNT ASSY,DR	1	1	1					
10	2	23871-020000	PLUG PT1/4,SCREW	1	1	1					
11	1	22157-100000	WASHER 10	7	7	7					
12	1	26013-100252	BOLT W/WASHER M10X25	2	2	2					
13	1	26013-100252	BOLT W/WASHER M10X25	2	2	2					
14	1	26013-100452	BOLT M10X 45	7	7	7					

Fig.61. BOOM CYLINDER



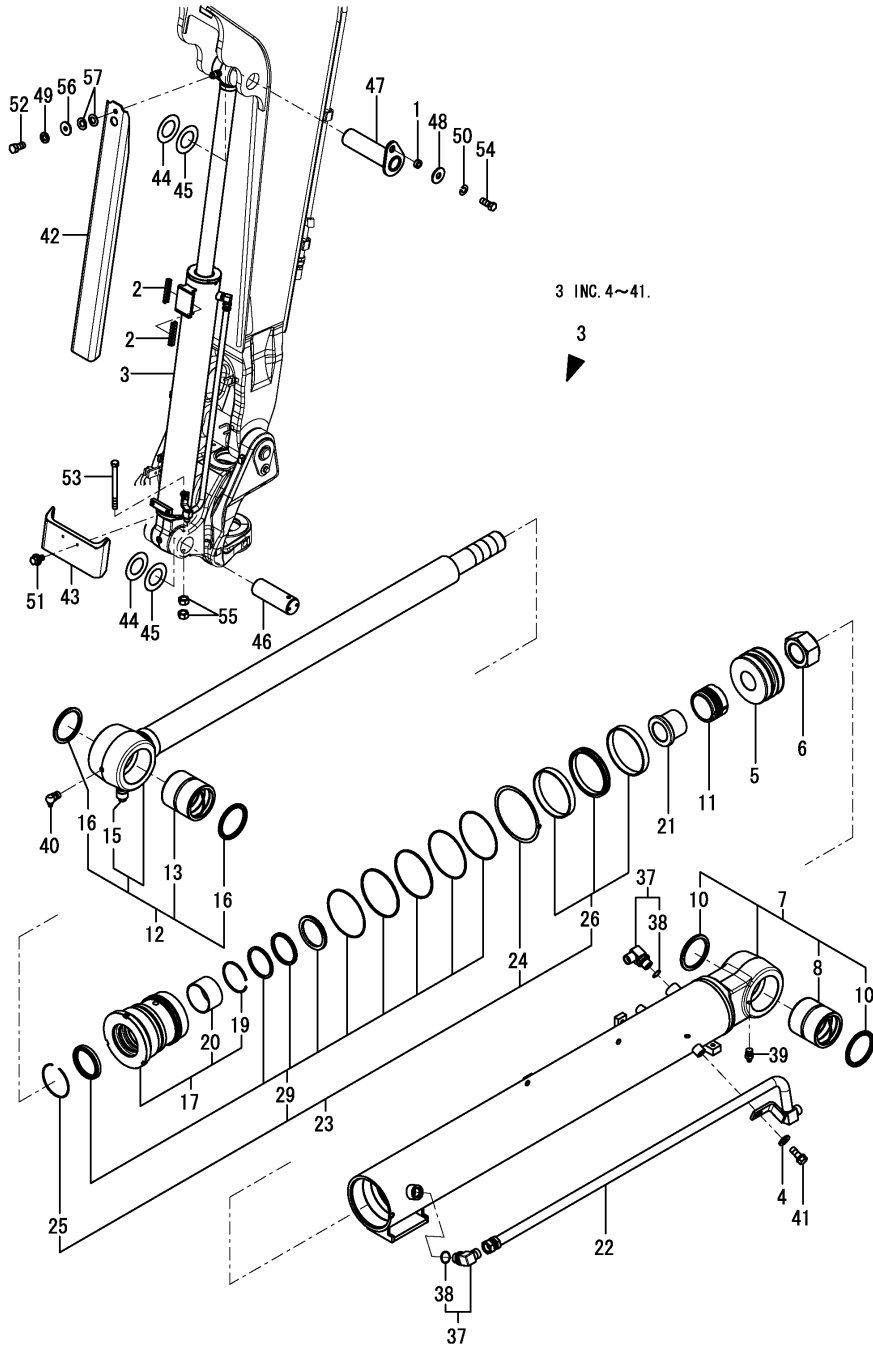
(A)=VIO80(US)
(B)=VIO80(AS)
(C)=VIO80(NZ)

(D)=
(E)=
(F)=

REF.	LEV.	PARTS NO.	DESCRIPTION	QTY						I	R
				(A)	(B)	(C)	(D)	(E)	(F)		
1	1	172155-45790	SPACER	1	1	1					
2	1	172162-61770	GUIDE, SLIDE	2	2	2					
3	1	172A89-72100	CYLINDER ,BOOM (2J)	1	1	1					
3-1	1	172A89-72100-N (A=M92001) (B=M92001) (C=M92001)	CYLINDER ,BOOM	1	1	1					S
4	2	194145-04810	WASHER	1	1	1					
5	2	172020-10290	PISTON	1	1	1					
6	2	172020-10370	NUT	1	1	1					
7	2	172A89-72110	TUBE ASSY,BOOM K(2J)	1	1	1					
7-1	2	172A89-72110-N (A=M92001) (B=M92001) (C=M92001)	TUBE ASSY,BOOM K	1	1	1					S
8	3	172020-10220	BUSH, PIN	1	1	1					
10	3	172162-82350	SEAL, DUST	2	2	2					
11	2	172478-72190	PLUNGER, CUSHION	1	1	1					
12	2	172A21-72200	ROD ASSY, BOOM	1	1	1					
13	3	172020-10220	BUSH, PIN	1	1	1					
15	4	172478-72010	SEAT, SCREW	1	1	1					
16	3	172162-82350	SEAL, DUST	2	2	2					
17	2	172A89-72200	HEAD ASSY 115 65	1	1	1					
19	3	172499-72490	SPRING RING 72	1	1	1					
20	3	24550-065400	BUSH	1	1	1					
21	2	172478-72250	COLLAR, CUSHION	1	1	1					
22	2	172A89-72250	PIPING , BOOM (2J)	1	1	1					
22-1	2	172A89-72250-N (A=M92001) (B=M92001) (C=M92001)	PIPING , BOOM	1	1	1					S
23	2	172A89-72900	SEAL SET, CYL.115X65	1	1	1					
24	3	172020-10360	WASHER, LOCK	1	1	1					
25	3	172020-10380	RING, SPRING	1	1	1					
26	3	172020-11620	SEAL SET, PISTON	1	1	1					
29	3	172A89-72910	HEAD SEAL SET,115X65	1	1	1					
37	2	172141-76900	CONNECTOR ASSY	2	2	2					
38	3	24315-000180	O-RING	2	2	2					
39	2	24761-020000	NIPPLE, GREASE	1	1	1					
40	2	24761-050000	NIPPLE, GREASE	1	1	1					
41	2	26013-100252	BOLT	1	1	1					
42	1	172187-72910-2	COVER, SLIDE	1	1	1					
42-1	1	172187-72910-N (A=M92001) (B=M92001) (C=M92001)	COVER, SLIDE	1	1	1					S
43	1	172A89-72960	COVER, HOSE BOOM(2J)	1	1	1					
43-1	1	172A89-72960-N (A=M92001) (B=M92001) (C=M92001)	COVER, HOSE BOOM	1	1	1					S
44	1	172176-81700	SHIM	2	2	2					
45	1	172176-81710	SHIM	2	2	2					
46	1	172187-81801	PIN, 70X200	1	1	1					
47	1	172A89-81810	PIN ASSY	1	1	1					
48	1	22157-140000	WASHER	1	1	1					
49	1	22217-100000	WASHER, SPRING	1	1	1					
50	1	22217-140000	WASHER, SPRING	1	1	1					
51	1	26014-100202	BOLT	2	2	2					
52	1	26116-100202	BOLT	1	1	1					
53	1	26116-121402	BOLT	1	1	1					

N:Old $\begin{matrix} \leftarrow \text{Yes} \\ \text{No} \end{matrix}$ New, Q:Old $\begin{matrix} \leftarrow \text{No} \\ \text{Yes} \end{matrix}$ New, R:Old $\begin{matrix} \leftarrow \text{Yes} \\ \text{Yes} \end{matrix}$ New, S:Old $\begin{matrix} \leftarrow \text{No} \\ \text{No} \end{matrix}$ New, W:Add, Z:Discontinued, F:Interchangeable by set, K:Q'ty Change
++ CONTINUE ++
(C)Copyrights YANMAR CO.,LTD.

Fig.61. BOOM CYLINDER



(A)=VIO80(US)

(B)=VIO80(AS)

(C)=VIO80(NZ)

(D)=

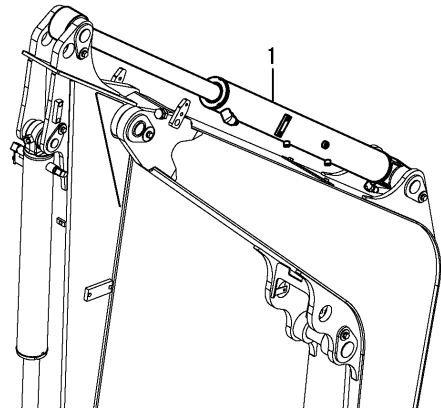
(E)=

(F)=

REF.	LEV.	PARTS NO.	DESCRIPTION	QTY						I	R
				(A)	(B)	(C)	(D)	(E)	(F)		
54	1	26116-140352	BOLT	1	1	1					
55	1	26716-120002	NUT	2	2	2					
56	1	933147-03400	WASHER, BRAKE ARM	1	1	1					
57	1	933168-14170	SPRING	2	2	2					

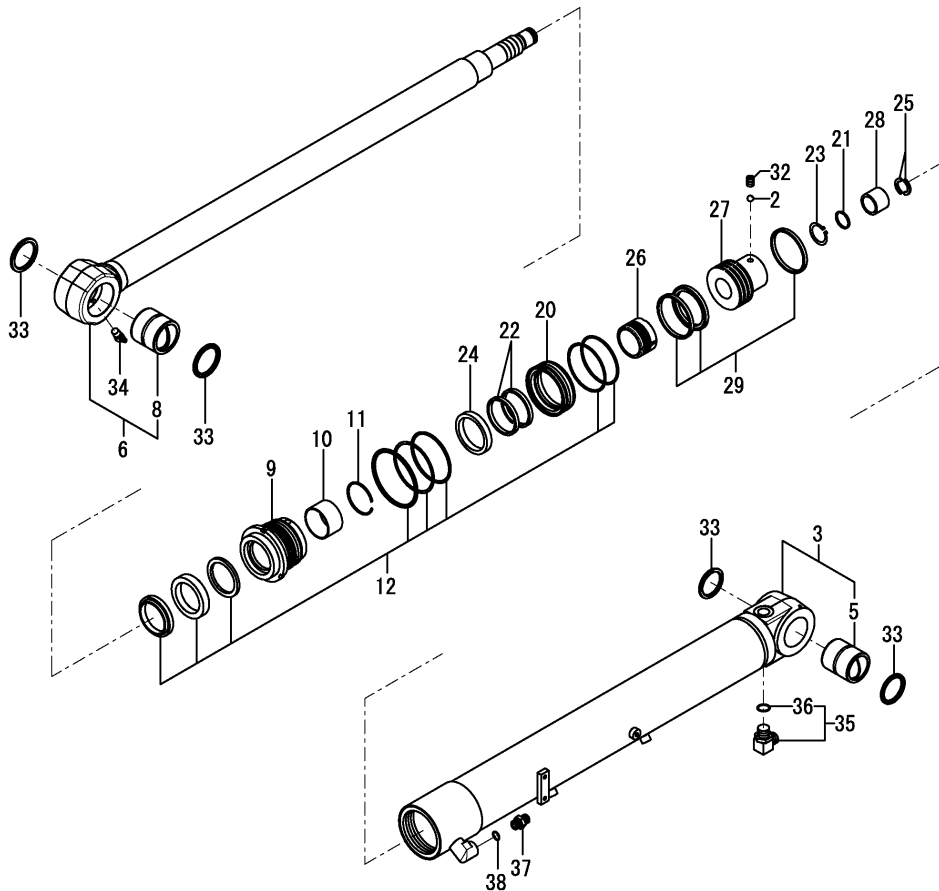
N:Old \xleftrightarrow{Yes} New, Q:Old \xleftrightarrow{No} New, R:Old \xleftrightarrow{Yes} New, S:Old \xleftrightarrow{No} New, W:Add, Z:Discontinued, F:Interchangeable by set, K:Q'ty Change

Fig.62. ARM CYLINDER



1 INC. 2~34.

1

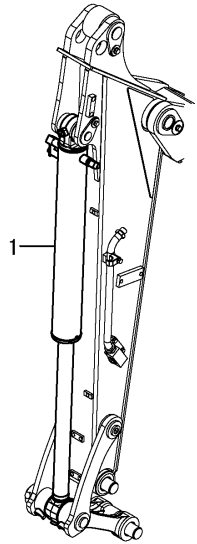


(A)=VIO80(US)
(B)=VIO80(AS)
(C)=VIO80(NZ)

(D)=
(E)=
(F)=

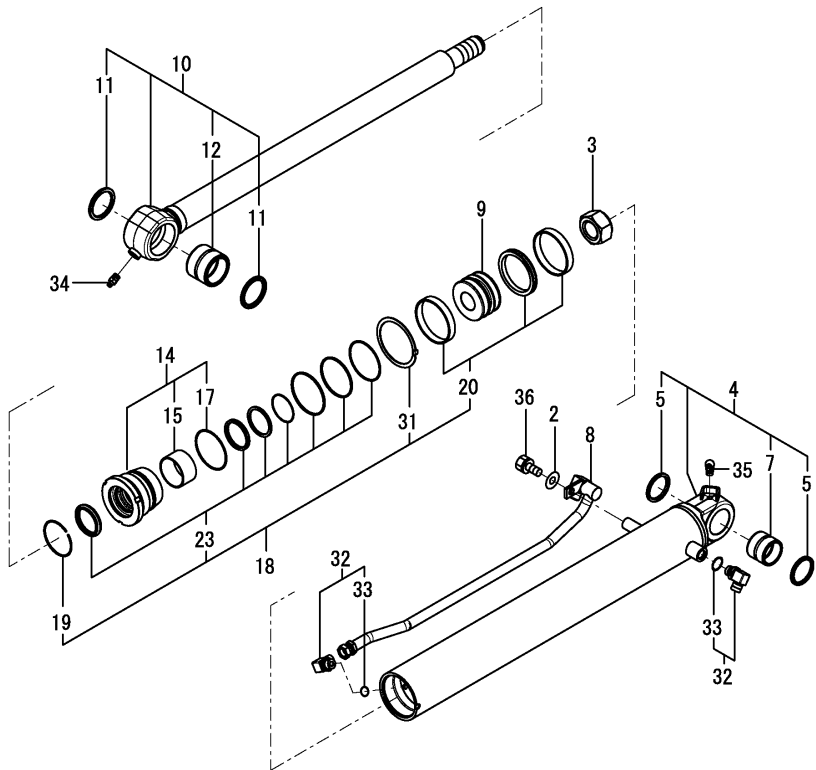
REF.	LEV.	PARTS NO.	DESCRIPTION	QTY						I	R
				(A)	(B)	(C)	(D)	(E)	(F)		
1	1	172A89-72300	CYLINDER ,ARM (2J)	1	1	1					
1-1	1	172A89-72300-N	CYLINDER ,ARM	1	1	1					S
		(A=M92001) (B=M92001) (C=M92001)									
2	2	172124-70030	BALL, STEEL	1	1	1					
3	2	172A89-72310	TUBE KIT,CYLINDER(2J)	1	1	1					
3-1	2	172A89-72310-N	TUBE KIT,CYLINDER	1	1	1					S
		(A=M92001) (B=M92001) (C=M92001)									
5	3	172A69-72480	BUSH, PIN	1	1	1					
6	2	172A89-72330	ROD KIT, PISTON	1	1	1					
8	3	172A69-72490	BUSH, PIN	1	1	1					
9	2	172A89-72350	HEAD, CYLINDER	1	1	1					
10	2	172A89-72360	BUSH	1	1	1					
11	2	172A89-72370	RING,SNAP	1	1	1					
12	2	172A89-72380	REPAIR KIT,CYLINDER	1	1	1					
20	2	172A89-72440	HOLDER	1	1	1					
21	2	172A69-72450	SEAL, CUSHION	1	1	1					
22	2	172A89-72450	SEAL, CUSHION	2	2	2					
23	2	172A69-72460	RING, SNAP	1	1	1					
24	2	172A89-72460	COLLOR	1	1	1					
25	2	172A69-72470	STOPPER	2	2	2					
26	2	172A89-72470	BEARING, CUSHION	1	1	1					
27	2	172A89-72480	PISTON	1	1	1					
28	2	172A89-72490	BEARING, CUSHION	1	1	1					
29	2	172A89-72750	REPAIR KIT,CYLINDER	1	1	1					
32	2	172162-72930	SCREW, SETTING	1	1	1					
33	2	172162-72950	SEAL, DUST	4	4	4					
34	2	24761-050000	NIPPLE, GREASE	1	1	1					
35	1	172141-76900	CONNECTOR ASSY	1	1	1					
36	2	24315-000180	O-RING	1	1	1					
37	1	172112-77361	CONNECTOR	1	1	1					
38	1	41851-000180	O-RING	1	1	1					

Fig.63. BUCKET CYLINDER



1 INC. 2~36.

1



(A)=VIO80(US)
(B)=VIO80(AS)
(C)=VIO80(NZ)

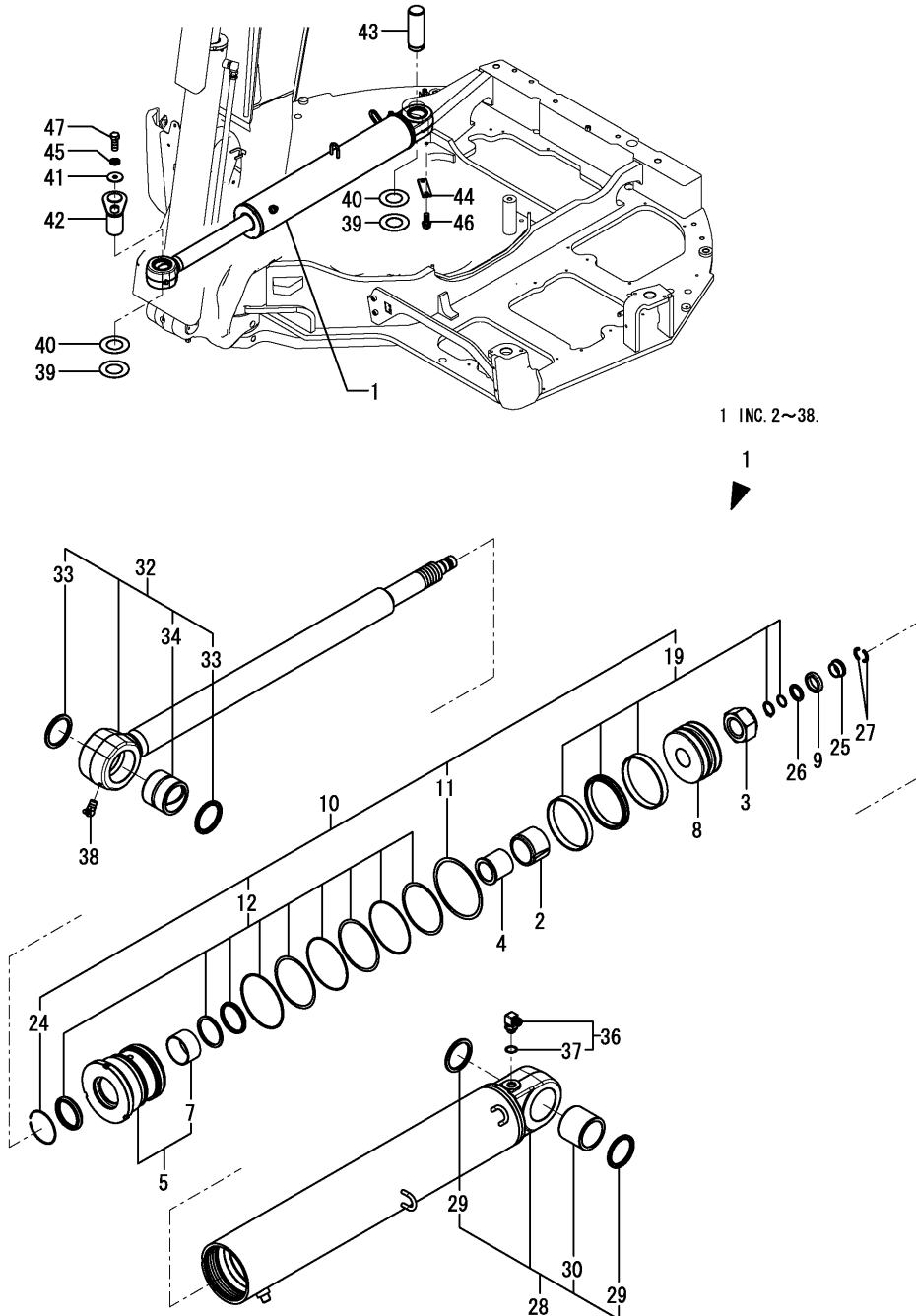
(D)=
(E)=
(F)=

REF.	LEV.	PARTS NO.	DESCRIPTION	QTY						I	R
				(A)	(B)	(C)	(D)	(E)	(F)		
1	1	172A89-72500	CYLINDER ,BUCKET(2J)	1	1	1					
1-1	1	172A89-72500-N	CYLINDER ,BUCKET	1	1	1					S
		(A=M92001) (B=M92001) (C=M92001)									
1-2	1	172A89-72501-Y	CYLINDER ASSY,BUCKET	1	1	1					N
		(A=MZZZZZ) (B=MZZZZZ) (C=MZZZZZ)									
2	2	194145-04810	WASHER	1	1	1					
3	2	172020-10810	NUT	1	1	1					
4	2	172A89-72510	TUBE ASSY,BUCKET(2J)	1	1	1					
4-1	2	172A89-72510-N	TUBE ASSY,BUCKET	1	1	1					S
		(A=M92001) (B=M92001) (C=M92001)									
5	3	172448-54120	SEAL, DUST	2	2	2					
7	3	172151-72591	BUSH	1	1	1					
8	2	172A89-72560	TUBE ASSY,BUCKET(2J)	1	1	1					
8-1	2	172A89-72560-N	TUBE ASSY,BUCKET	1	1	1					S
		(A=M92001) (B=M92001) (C=M92001)									
8-2	2	172A89-72561-Y	TUBE ASSY,BUCKET	1	1	1					N
		(A=MZZZZZ) (B=MZZZZZ) (C=MZZZZZ)									
9	2	172978-72590	PISTON 95	1	1	1					
10	2	172A89-72600	ROD ASSY,BUCKET	1	1	1					
11	3	172020-10620	SEAL, DUST	2	2	2					
12	3	172020-11030	BUSH, PIN	1	1	1					
14	2	172A89-72650	HEAD ASSY 95 60	1	1	1					
15	3	172445-72480	BUSH, ROD	1	1	1					
17	3	22207-065320	RING	1	1	1					
18	2	172A89-72700	SEAL SET, CYL. 95X60	1	1	1					
19	3	172445-72450	RING, SPRING	1	1	1					
20	3	172978-72620	SEAL SET 95,PISTON	1	1	1					
23	3	172A89-72710	SEAL SET, HEAD 95X60	1	1	1					
31	3	172499-72981	WASHER,LOCK 95-114	1	1	1					
32	2	172141-76900	CONNECTOR ASSY	2	2	2					
33	3	24315-000180	O-RING	2	2	2					
34	2	24761-020000	NIPPLE, GREASE	1	1	1					
35	2	24761-050000	NIPPLE, GREASE	1	1	1					
36	2	26013-100252	BOLT	1	1	1					

Fig.64. SWING CYLINDER

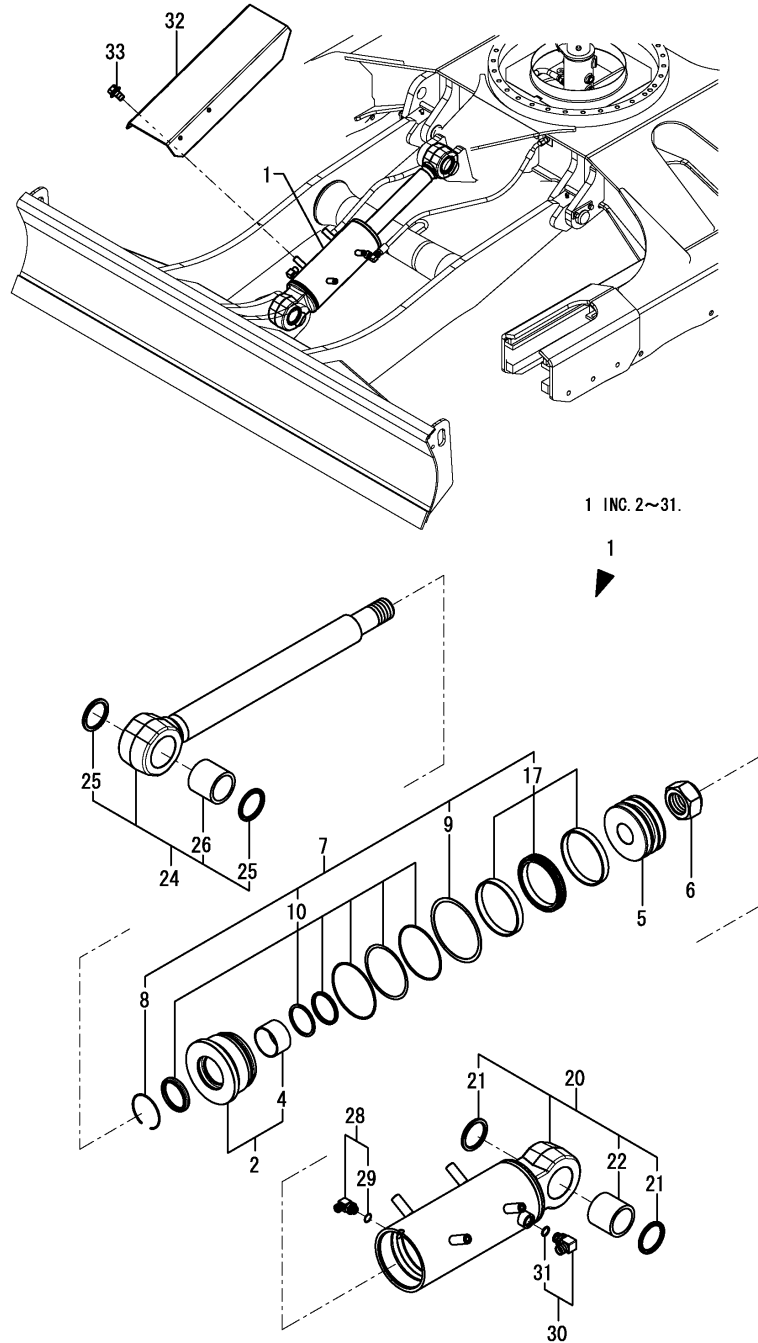
(A)=VIO80(US)
(B)=VIO80(AS)
(C)=VIO80(NZ)

(D)=
(E)=
(F)=



REF.	LEV.	PARTS NO.	DESCRIPTION	QTY						I	R
				(A)	(B)	(C)	(D)	(E)	(F)		
1	1	172A69-72700	CYLINDER ,SWING (49)	1	1	1					
2	2	172020-10730	PLUNGER 64A,CUSHION	1	1	1					
3	2	172020-10810	U-NUT M42 X 3	1	1	1					
4	2	172020-10860	COLLAR, CUSHION	1	1	1					
5	2	172020-11300	HEAD CMP 120 60	1	1	1					
7	3	172445-72480	ROD BUSH 60 35	1	1	1					
8	2	172020-11320	PISTON 120	1	1	1					
9	2	172020-11340	RING 44-1.6	1	1	1					
10	2	172020-11690	KIT,CYL SEAL120X60	1	1	1					
11	3	172020-11350	ROCK WASHER 120	1	1	1					
12	3	172020-11700	SET,HEAD SEAL 120X60	1	1	1					
19	3	172020-11710	SET,PISTON SEAL 120	1	1	1					
24	3	172445-72450	RING 77	1	1	1					
25	2	172423-72520	COLLAR	1	1	1					
26	2	172423-72530	SPACER	1	1	1					
27	2	172423-72540	STOPPER	2	2	2					
28	2	172A69-72710	TUBE ASSY,SWING (49)	1	1	1					
29	3	172020-10620	SEAL 60 X 75 X 5	2	2	2					
30	3	172020-11230	BUSH 60 63 A	1	1	1					
32	2	172A69-72750	ROD ASSY,SWING	1	1	1					
33	3	172020-10620	SEAL 60 X 75 X 5	2	2	2					
34	3	172020-11280	BUSH 60 60 B	1	1	1					
36	2	172142-76181	JOINT 90-3/8 ASSY	1	1	1					
37	3	24315-000140	O-RING 1B P-14.0	1	1	1					
38	2	24761-050000	NIPPLE C,GREASE	1	1	1					
39	1	172175-81700	SHIM 60X110X0.8	4	4	4					
40	1	172175-81710	SHIM	4	4	4					
41	1	172187-81970	WASHER	1	1	1					
42	1	172187-82370	PIN 60X144	1	1	1					
43	1	172A69-82370	PIN 60X155	1	1	1					
44	1	172162-94280-3	PLATE,LOCK (GRAY:49)	1	1	1					
45	1	22217-140000	SPRING WASHER 14	1	1	1					
46	1	26013-120302	BOLT W/WASHER M12X30	2	2	2					
47	1	26116-140352	BOLT M14X 35 PLATED	1	1	1					

Fig.65. BLADE CYLINDER

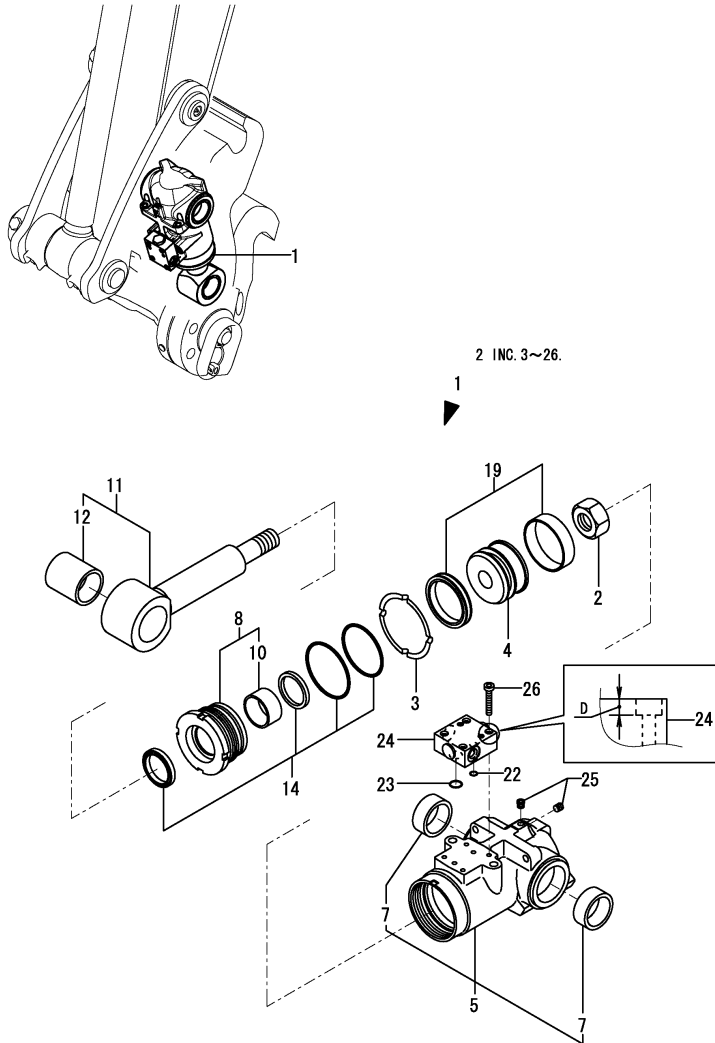


(A)=VIO80(US)
(B)=VIO80(AS)
(C)=VIO80(NZ)

(D)=
(E)=
(F)=

REF.	LEV.	PARTS NO.	DESCRIPTION	QTY						I	R
				(A)	(B)	(C)	(D)	(E)	(F)		
1	1	172A69-72800	CYLINDER ASSY, BLADE	1	1	1					
2	2	172020-11500	HEAD ASSY	1	1	1					
4	3	24550-065400	BUSH	1	1	1					
5	2	172020-11520	PISTON	1	1	1					
6	2	172020-11540	NUT	1	1	1					
7	2	172020-11720	SEAL SET, CYLINDER	1	1	1					
8	3	172020-10380	RING, SPRING	1	1	1					
9	3	172020-11530	WASHER, LOCK	1	1	1					
10	3	172020-11730	SEAL SET, HEAD	1	1	1					
17	3	172020-11740	SEAL SET, PISTON	1	1	1					
20	2	172A69-72810	TUBE ASSY, BLADE	1	1	1					
21	3	172020-10620	SEAL, DUST	2	2	2					
22	3	172020-11450	BUSH, PIN	1	1	1					
24	2	172A69-72850	ROD ASSY, BLADE	1	1	1					
25	3	172020-10620	SEAL, DUST	2	2	2					
26	3	172020-11450	BUSH, PIN	1	1	1					
28	2	172142-76181	JOINT ASSY	1	1	1					
29	3	24315-000140	O-RING	1	1	1					
30	2	172141-76900	CONNECTOR ASSY	1	1	1					
31	3	24315-000180	O-RING	1	1	1					
32	1	172A69-72900	COVER ASSY, BLADE	1	1	1					
32-1	1	172B11-72900	COVER ASSY, BLADE CY	1	1	1					N
		(A=M92134) (B=M92134) (C=M92134)									
33	1	26014-100202	BOLT	4	4	4					

Fig.66. HITCH CYLINDER



(A)=VIO80(US)
(B)=VIO80(AS)
(C)=VIO80(NZ)

(D)=
(E)=
(F)=

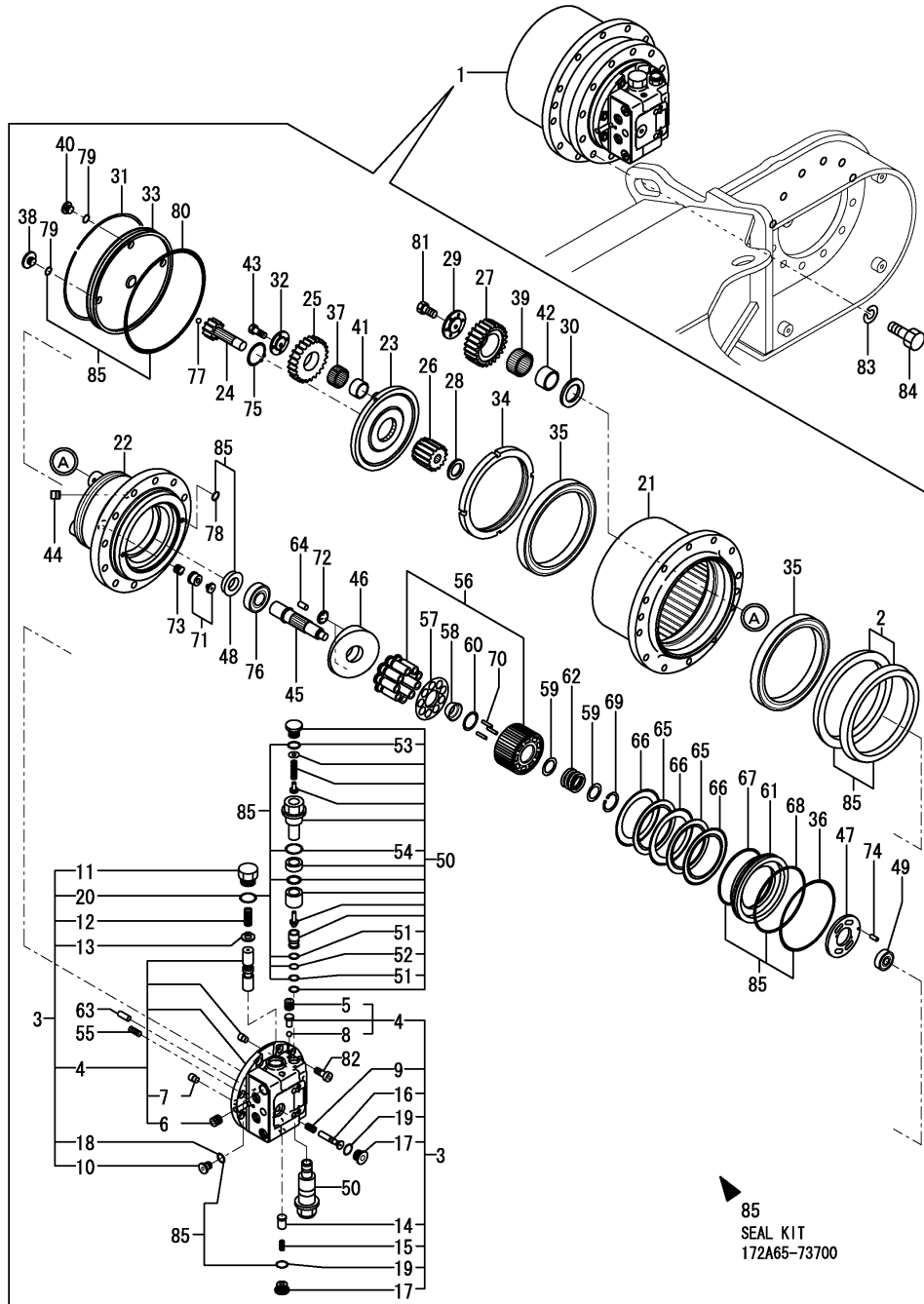
REF.	LEV.	PARTS NO.	DESCRIPTION	QTY						I	R
				(A)	(B)	(C)	(D)	(E)	(F)		
1	1	172978-72800-2	CYLINDER,HITCH (2J)	1	1	1					
1-1	1	172978-72800-N	CYLINDER,HITCH	1	1	1					S
		(A=M92001) (B=M92001) (C=M92001)									
2	2	172141-72250	NUT	1	1	1					
3	2	172142-72260	WASHER, LOCK	1	1	1					
4	2	172175-72480	PISTON 80	1	1	1					
5	2	172978-72810-2	TUBE, HITCH	1	1	1					
5-1	2	172978-72810-N	TUBE, HITCH	1	1	1					S
		(A=M92001) (B=M92001) (C=M92001)									
7	3	172978-72890	BUSH 45-55-22	2	2	2					
8	2	172978-72860	HEAD 80 45	1	1	1					
10	3	24550-045250	BUSH	1	1	1					
11	2	172978-72880	ROD ASSY,HITCH	1	1	1					
12	3	172151-71630	BUSH 45 60	1	1	1					
14	2	172978-72920	HEAD SEAL SET 80X45	1	1	1					
19	2	172142-72951	SEAL SET, PISTON	1	1	1					
22	2	172958-72950	O-RING	1	1	1					
23	2	172958-72960	O-RING	1	1	1					
24	2	172958-72982-2	CHECK VALVE (2J)	1	1	1					
24-1	2	172958-72983	VALVE ASSY,OPERATE	1	1	1					F 1
		(A=MZZZZZ) (B=MZZZZZ) (C=MZZZZZ)									
24-2	2	172958-72983-N	VALVE ASSY,OPERATE	1	1	1					S
		(A=M92001) (B=M92001) (C=M92001)									
25	2	23871-005000	PLUG	2	2	2					
26	2	26450-060352	BOLT	4	4	4					
26-1	2	26450-060302	BOLT	4	4	4					S
		(A=MZZZZZ) (B=MZZZZZ) (C=MZZZZZ)									

Remarks
(1)D=Ref.No.24 : 4mm,No.24-1 : 8mm.
Interchangeable by simultaneous
replacement with Ref.No.26-1.

Fig.67. TRAVEL MOTOR

(A)=VIO80(US)
(B)=VIO80(AS)
(C)=VIO80(NZ)

(D)=
(E)=
(F)=



REF.	LEV.	PARTS NO.	DESCRIPTION	QTY						I	R
				(A)	(B)	(C)	(D)	(E)	(F)		
1	1	172A89-73300	MOTOR ASSY, DRIVE	2	2	2					
2	2	172A65-73310	SEAL KIT, FLOATING	2	2	2					
3	2	172A89-73310	FLANGE, REAR	2	2	2					
4	3	172A89-73320	FLANGE, REAR	2	2	2					
5	4	172479-73750	PLUG	6	6	6					
6	4	172479-73760	PLUG	8	8	8					
7	4	172A69-73850	ORIFICE	2	2	2					
8	4	24190-060001	BALL 3/16	2	2	2					
9	3	172A89-73340	SPRING	2	2	2					
10	3	172479-73480	PLUG	2	2	2					
11	3	172A65-73620	PLUG	4	4	4					
12	3	172A65-73630	SPRING	4	4	4					
13	3	172479-73800	SPRING RETAINER	4	4	4					
14	3	172479-73810	VALVE	4	4	4					
15	3	172479-73830	SPRING	4	4	4					
16	3	172A69-73830	SPOOL	2	2	2					
17	3	172479-73850	PLUG	6	6	6					
18	3	24315-000140	O-RING 1B P-14.0	2	2	2					
19	3	24315-000180	O-RING 1B P-18.0	6	6	6					
20	3	24315-000260	O-RING 1B P-26.0	4	4	4					
21	2	172A65-73320	HUB	2	2	2					
22	2	172A65-73330	SPINDLE	2	2	2					
23	2	172A65-73340	CARRIER	2	2	2					
24	2	172A65-73350	SUN GEAR 1	2	2	2					
25	2	172A65-73360	PLANETARY, GEAR 1	6	6	6					
26	2	172A65-73370	SUN GEAR 2	2	2	2					
27	2	172A65-73380	PLANETARY, GEAR 2	8	8	8					
28	2	172A65-73390	COLLOR, THRUST	2	2	2					
29	2	172A65-73400	WASHER 1, THRUST	8	8	8					
30	2	172A65-73410	WASHER 2, THRUST	8	8	8					
31	2	172479-73420	RING	2	2	2					
32	2	172A65-73420	WASHER 3, THRUST	6	6	6					
33	2	172A65-73430	COVER	2	2	2					
34	2	172A65-73440	NUT, RING	2	2	2					
35	2	172A65-73450	B.BEARING	4	4	4					
36	2	172499-73460	O-RING	2	2	2					
37	2	172A65-73460	ROLLER	6	6	6					
38	2	172479-73470	NUT	2	2	2					
39	2	172A65-73470	ROLLER	8	8	8					
40	2	172479-73480	PLUG	4	4	4					
41	2	172A65-73480	RING, INNER	6	6	6					
42	2	172A65-73490	RING, INNER	8	8	8					
43	2	172A65-73500	BOLT M8X20 10.9T	6	6	6					
44	2	172A65-73510	SCREW 8X12	4	4	4					
45	2	172A65-73520	SHAFT	2	2	2					
46	2	172A65-73530	SWASH PLATE	2	2	2					
47	2	172A65-73540	PLATE, TIMMING	2	2	2					
48	2	172A65-73550	SEAL, OIL	2	2	2					
49	2	172A65-73560	BEARING	2	2	2					
50	2	172A65-73570	VALVE ASSY, RELIEF	4	4	4					
51	3	172A65-73580	RING, BACK-UP	8	8	8					

N:Old $\frac{Yes}{No}$ New, Q:Old $\frac{No}{Yes}$ New, R:Old $\frac{Yes}{Yes}$ New, S:Old $\frac{No}{No}$ New, W:Add, Z:Discontinued, F:Interchangeable by set, K:Q'ty Change
 ++ CONTINUE ++
 (C)Copyrights YANMAR CO.,LTD.

Fig.67. TRAVEL MOTOR

(A)=VIO80(US)

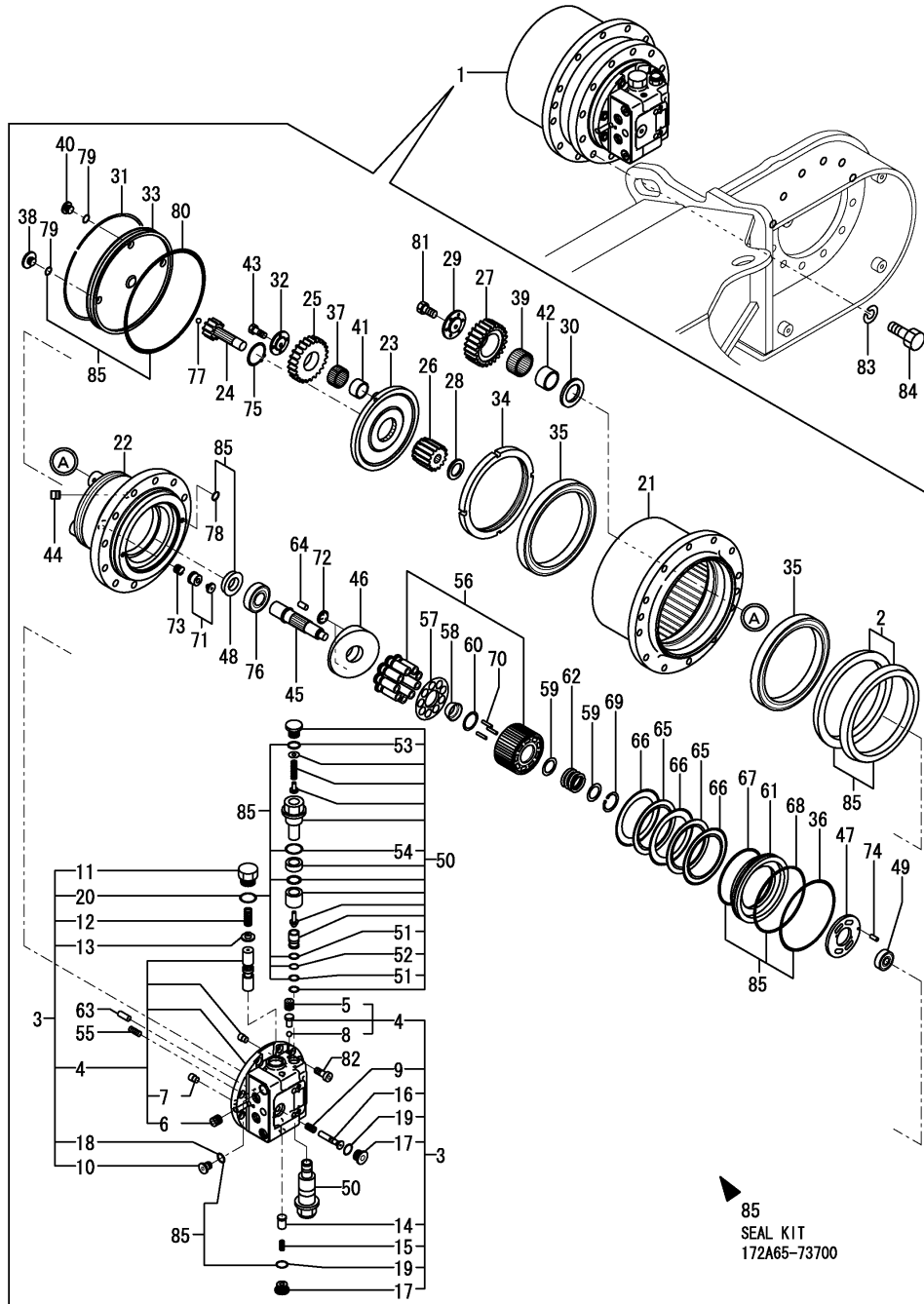
(B)=VIO80(AS)

(C)=VIO80(NZ)

(D)=

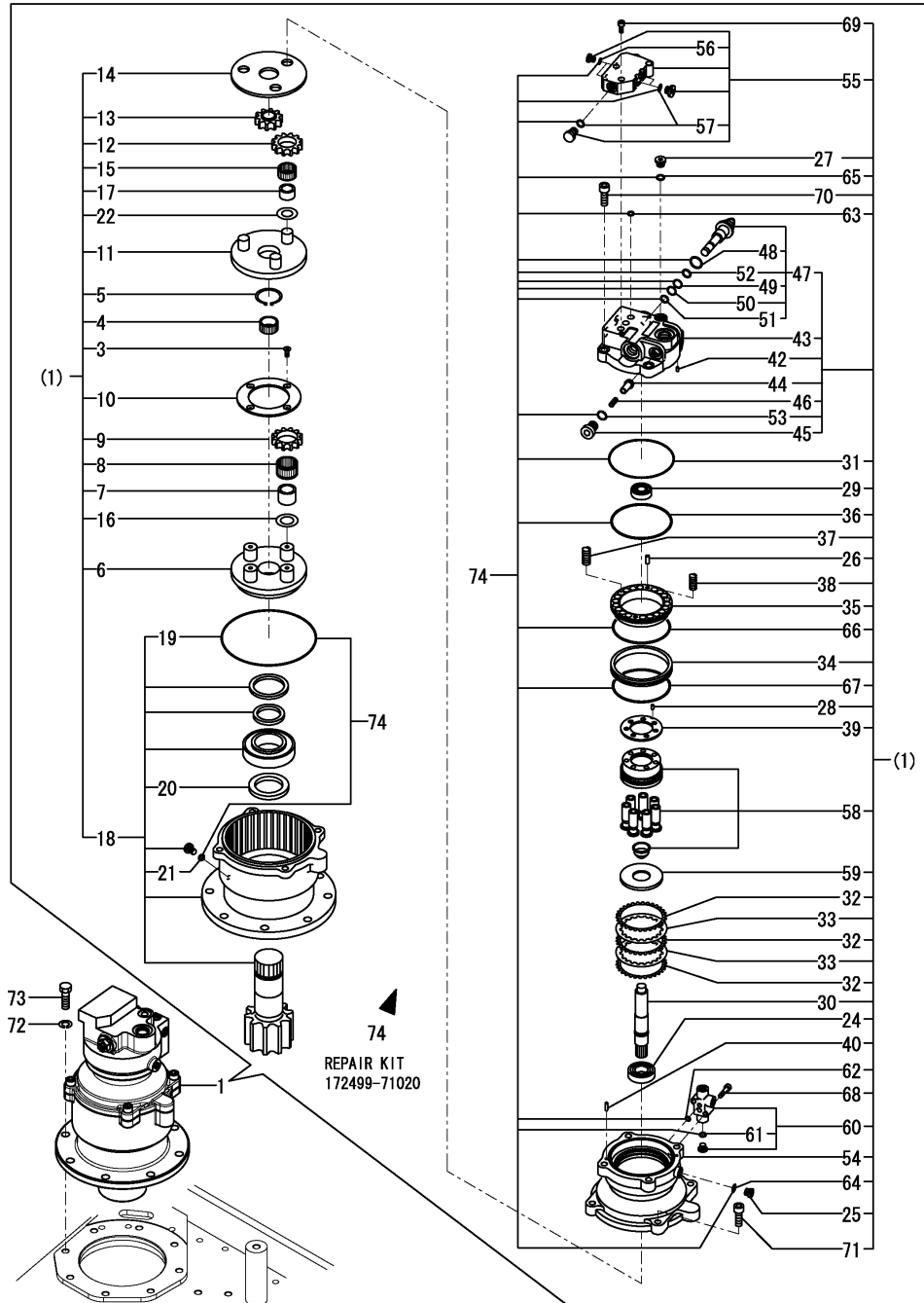
(E)=

(F)=



REF.	LEV.	PARTS NO.	DESCRIPTION	Q'TY						I	R
				(A)	(B)	(C)	(D)	(E)	(F)		
52	3	24315-000100	O-RING 1B P-10.0	4	4	4					
53	3	24315-000110	O-RING 1B P-11.0	4	4	4					
54	3	24315-000200	O-RING 1B P-20.0	4	4	4					
55	2	172479-73590	SPRING	20	20	20					
56	2	172499-73620	PISTON ASSEMBLY	2	2	2					
57	2	172499-73630	RETAINER PLATE	2	2	2					
58	2	172499-73640	THRUST BALL	2	2	2					
59	2	172499-73660	WASHER	4	4	4					
60	2	172499-73670	WASHER	2	2	2					
61	2	172499-73680	PISTON, HYDRAULIC	2	2	2					
62	2	172499-73700	SPRING	2	2	2					
63	2	172479-73710	PIN, STRAIGHT	4	4	4					
64	2	172479-73710	PIN, STRAIGHT	4	4	4					
65	2	172499-73710	PLATE, FRICTION	4	4	4					
66	2	172499-73720	PLATE	6	6	6					
67	2	172499-73760	O-RING	2	2	2					
68	2	172499-73770	O-RING	2	2	2					
69	2	172499-73780	RING	2	2	2					
70	2	172499-73810	ROLLER	6	6	6					
71	2	172499-73820	PISTON ASSEMBLY	2	2	2					
72	2	172499-73830	PIVOT	4	4	4					
73	2	172499-73870	SPRING	2	2	2					
74	2	172479-73950	PIN, STRAIGHT	2	2	2					
75	2	22242-000450	CIRCLIP 45	2	2	2					
76	2	24101-062064	BALL BEARING	2	2	2					
77	2	24190-120001	BALL 3/8, STEEL	2	2	2					
78	2	24315-000070	O-RING 1B P-7.0	4	4	4					
79	2	24315-000140	O-RING 1B P-14.0	6	6	6					
80	2	24321-002300	O-RING, 1A G230.0	2	2	2					
81	2	26076-100202	BOLT, 10X20	8	8	8					
82	2	26450-120302	BOLT M12X30	16	16	16					
83	1	22217-160000	SPRING WASHER 16	24	24	24					
84	1	26116-160452	BOLT M16X 45 PLATED	24	24	24					
85	1	172A65-73700	KIT, SEAL	2	2	2					

Fig.68. TURNING MOTOR



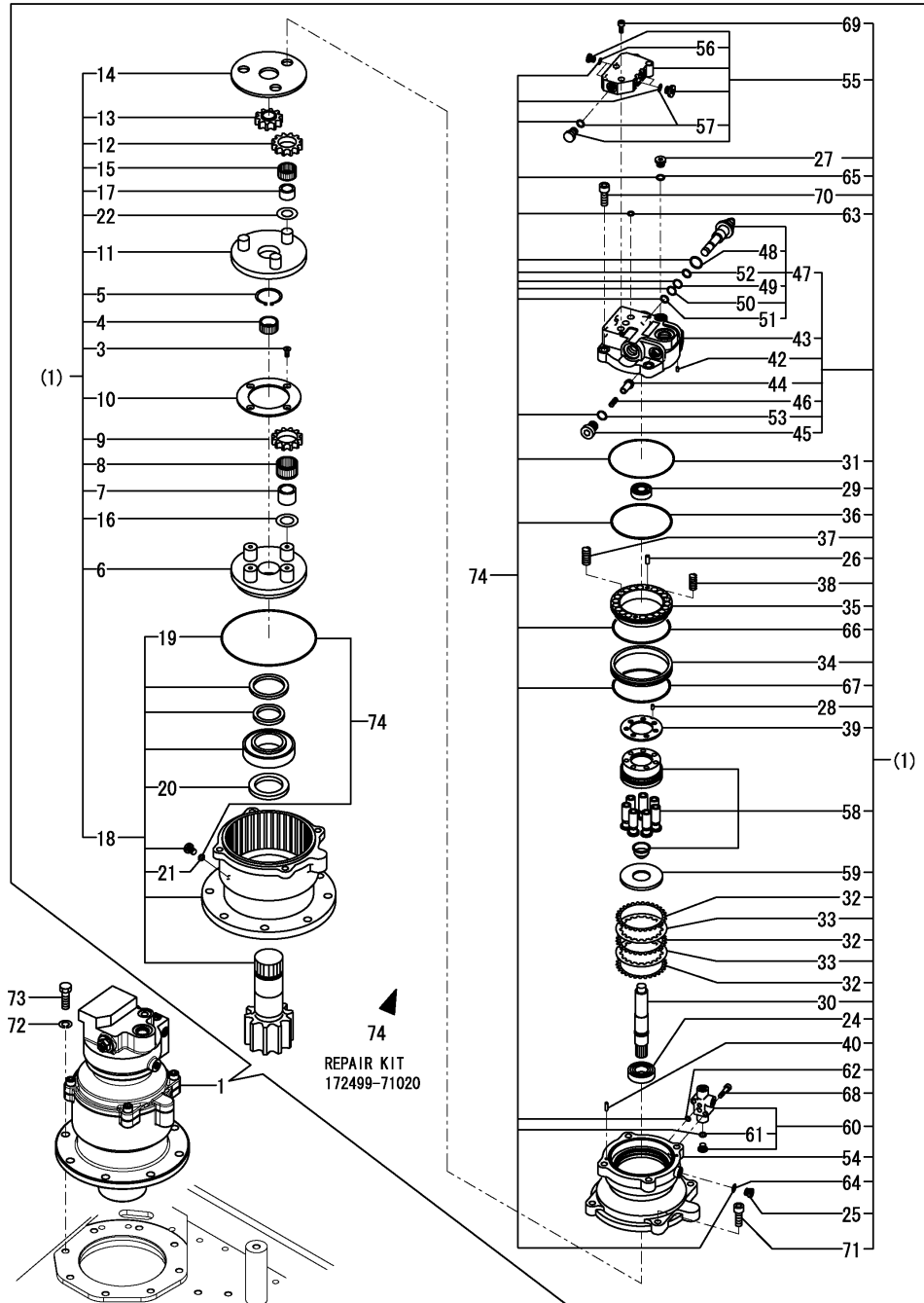
(A)=VIO80(US)
(B)=VIO80(AS)
(C)=VIO80(NZ)

(D)=
(E)=
(F)=

REF.	LEV.	PARTS NO.	DESCRIPTION	QTY						I	R
				(A)	(B)	(C)	(D)	(E)	(F)		
1	1	172A69-73310	MOTOR ASSY, SWING	1	1	1					
3	3	172162-70290	SCREW	4	4	4					
4	3	172162-70310	GEAR,SUN	1	1	1					
5	3	172162-70320	RING,SNAP	1	1	1					
6	3	172499-70720	HOLDER	1	1	1					
7	3	172499-70730	RACE,INNER	4	4	4					
8	3	172499-70740	BEARING,NEEDLE	4	4	4					
9	3	172499-70750	GEAR,PLANETARY	4	4	4					
10	3	172499-70760	PLATE,THRUST	1	1	1					
11	3	172499-70770	HOLDER	1	1	1					
12	3	172499-70780	GEAR,PLANETARY	3	3	3					
13	3	172499-70790	GEAR,DRIVE	1	1	1					
14	3	172499-71040	PLATE THRUST KIT	1	1	1					
15	3	172450-73360	NEEDLE BEARING	3	3	3					
16	3	172423-73370	WASHER	4	4	4					
17	3	172450-73370	INNER RACE	3	3	3					
18	3	172A69-73370	HOUSING ASSY	1	1	1					
19	4	172162-70150	O-RING	1	1	1					
20	4	172A69-73320	SEAL, OIL	1	1	1					
21	4	24315-000080	O-RING 1B P-8.0	1	1	1					
22	3	172450-73380	WASHER,THRUST	3	3	3					
24	3	172122-70260	BEARING	1	1	1					
25	3	172148-70301	PLUG	1	1	1					
26	3	172122-70410	PIN	2	2	2					
27	3	172147-70500	PLUG	1	1	1					
28	3	172122-70530	PIN	1	1	1					
29	3	172162-70590	BEARING,BALL	1	1	1					
30	3	172499-70810	SHAFT	1	1	1					
31	3	172162-70820	O-RING	1	1	1					
32	3	172499-70830	DISK	3	3	3					
33	3	172499-70840	PLATE, FRICTION	2	2	2					
34	3	172499-70850	COLLAR	1	1	1					
35	3	172499-70860	PISTON, BRAKE	1	1	1					
36	3	172499-70870	O-RING AS568-257	1	1	1					
37	3	172499-70880	SPRING	12	12	12					
38	3	172499-70890	SPRING	8	8	8					
39	3	172499-70970	PLATE, VALVE	1	1	1					
40	3	172499-70980	PIN	2	2	2					
42	4	172124-70380	ORIFICE	1	1	1					
43	4	172499-70900	COVER	1	1	1					
44	4	172499-70910	POPPET	2	2	2					
45	4	172499-70920	PLUG	2	2	2					
46	4	172499-70930	SPRING	2	2	2					
47	4	172A69-73340	VALVE ASSY,RELIEF	2	2	2					
48	5	172499-70950	O-RING AS568-916	2	2	2					
49	5	172499-70960	RING, BACK-UP	2	2	2					
50	5	172312-74780	RING, BUCK UP	2	2	2					
51	5	24315-000150	O-RING 1B P-15.0	2	2	2					
52	5	24315-000160	O-RING 1B P-16.0	2	2	2					
53	4	24315-000210	O-RING 1B P 21	2	2	2					
54	3	172A69-73330	CASE	1	1	1					

N:Old $\begin{matrix} \text{Yes} \\ \text{No} \end{matrix}$ New, Q:Old $\begin{matrix} \text{No} \\ \text{Yes} \end{matrix}$ New, R:Old $\begin{matrix} \text{Yes} \\ \text{No} \end{matrix}$ New, S:Old $\begin{matrix} \text{No} \\ \text{Yes} \end{matrix}$ New, W:Add, Z:Discontinued, F:Interchangeable by set, K:Q'ty Change
 ++ CONTINUE ++
 (C)Copyrights YANMAR CO.,LTD.

Fig.68. TURNING MOTOR

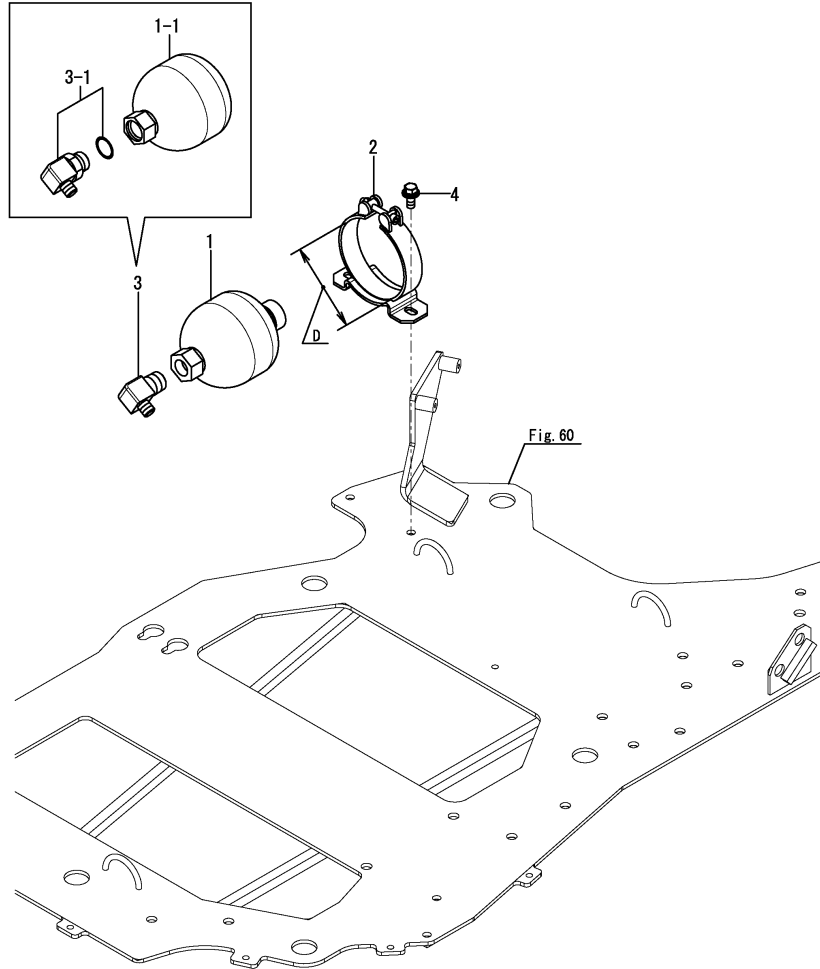


(A)=VIO80(US)
 (B)=VIO80(AS)
 (C)=VIO80(NZ)

(D)=
 (E)=
 (F)=

REF.	LEV.	PARTS NO.	DESCRIPTION	QTY						I	R
				(A)	(B)	(C)	(D)	(E)	(F)		
55	3	172A69-73350	VALVE ASSY	1	1	1					
56	4	24315-000110	O-RING 1B P-11.0	2	2	2					
57	4	24315-000140	O-RING 1B P-14.0	4	4	4					
58	3	172A69-73360	CYLINDER BLOCK ASSY	1	1	1					
59	3	172A69-73380	PLATE,THRUST	1	1	1					
60	3	172A69-73390	VALVE ASSY	1	1	1					
61	4	24315-000110	O-RING 1B P-11.0	1	1	1					
62	3	24315-000070	O-RING 1B P-7.0	2	2	2					
63	3	24315-000100	O-RING 1B P-10.0	3	3	3					
64	3	24315-000110	O-RING 1B P-11.0	1	1	1					
65	3	24315-000140	O-RING 1B P-14.0	1	1	1					
66	3	24325-001300	O-RING, 1B G130.0	1	1	1					
67	3	24325-001450	PACKING, G145.0	1	1	1					
68	3	26450-060302	BOLT M 6X 30	2	2	2					
69	3	26450-080202	BOLT M 8X 20	3	3	3					
70	3	26450-140402	BOLT, 14 X 40	4	4	4					
71	2	26450-140402	BOLT, 14 X 40	4	4	4					
72	1	22217-160000	SPRING WASHER 16	8	8	8					
73	1	26076-160502	BOLT, 16 X 50	8	8	8					
74	1	172499-71020	REPAIR KIT	1	1	1					

Fig.69. ACCUMULATOR



Remarks

(1)D:Ref.No.2=92~95mm,
No.2-1=89~92mm.

(A)=VIO80(US)
(B)=VIO80(AS)
(C)=VIO80(NZ)

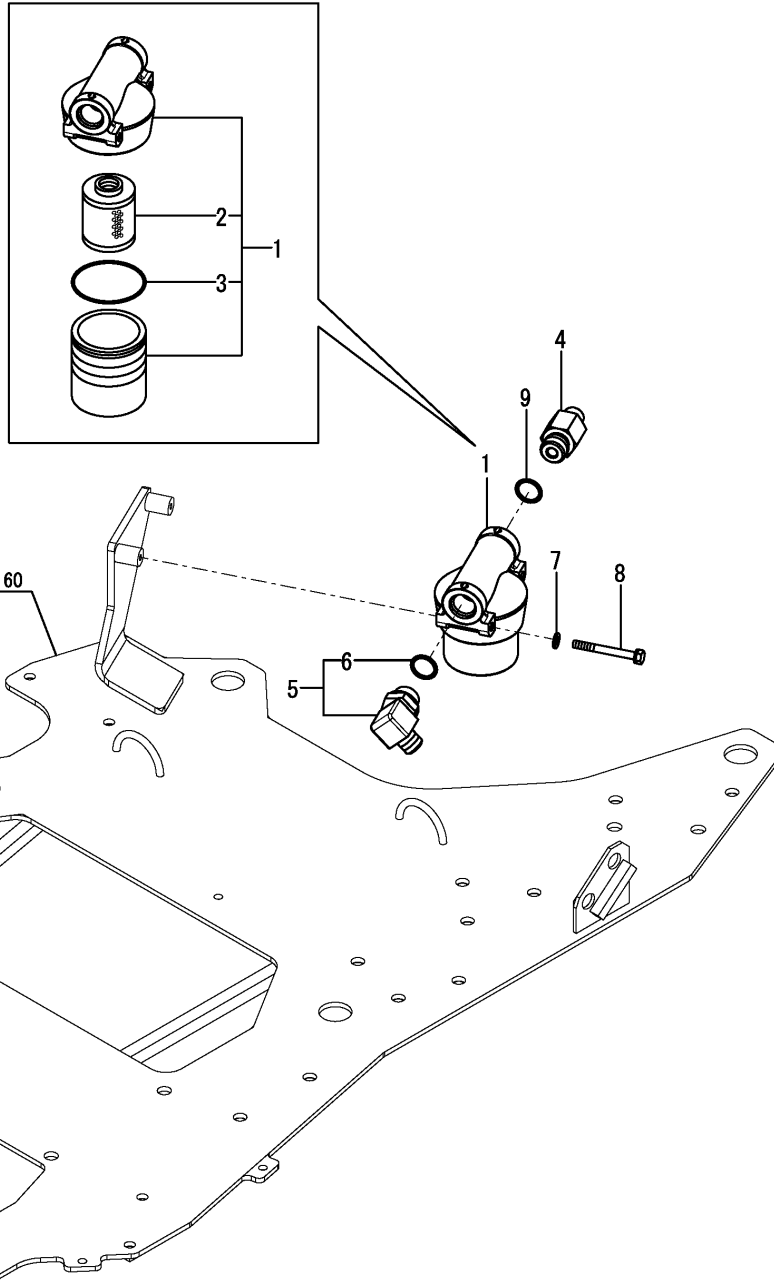
(D)=
(E)=
(F)=

REF.	LEV.	PARTS NO.	DESCRIPTION	QTY						I	R
				(A)	(B)	(C)	(D)	(E)	(F)		
1	1	172478-73600	ACCUMULATOR	1	1	1					
1-1	1	172B11-73600	ACCUMULATOR	1	1	1					S
		(A=MZZZZZ) (B=MZZZZZ) (C=MZZZZZ)									
2	1	172478-73630	CLAMP	1	1	1					
2-1	1	172B11-73630	CLAMP	1	1	1					S 1
		(A=MZZZZZ) (B=MZZZZZ) (C=MZZZZZ)									
3	1	172478-76200	CONNECTOR	1	1	1					
3-1	1	172531-73550	ELBOW 90 G1/2-G1/4	1	1	1					S
		(A=MZZZZZ) (B=MZZZZZ) (C=MZZZZZ)									
4	1	26014-080202	BOLT	1	1	1					
4-1	1	26014-080202	BOLT	2	2	2					K
		(A=MXXXXX) (B=MXXXXX) (C=MXXXXX)									

Fig.70. LINE FILTER

(A)=VIO80(US)
 (B)=VIO80(AS)
 (C)=VIO80(NZ)

(D)=
 (E)=
 (F)=

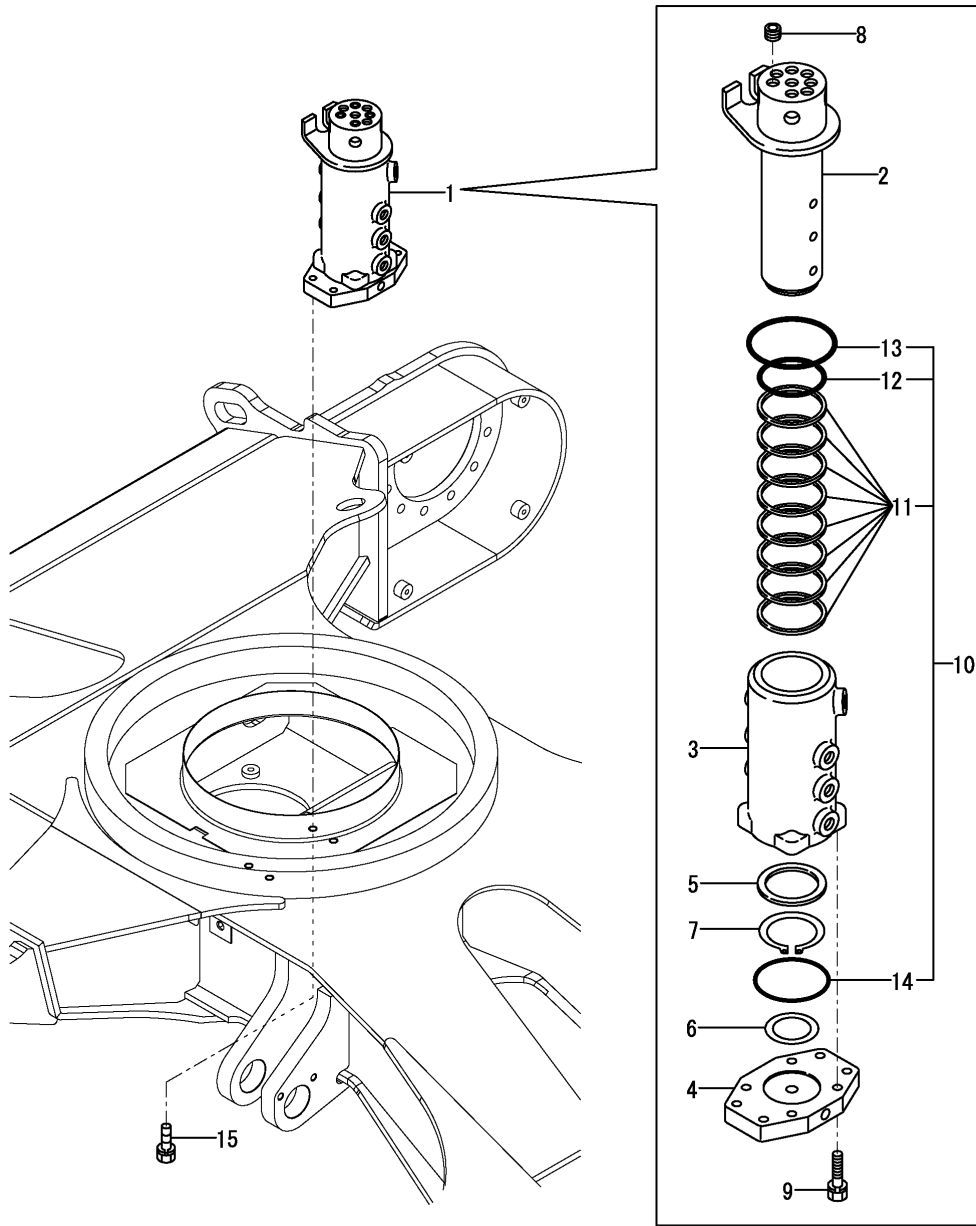


REF.	LEV.	PARTS NO.	DESCRIPTION	QTY						I	R
				(A)	(B)	(C)	(D)	(E)	(F)		
1	1	172837-73700	LINE FILTER	1	1	1					
2	2	172837-73730	FILTER ELEMENT	1	1	1					
3	2	172837-73740	O RING	1	1	1					
4	1	172423-76100	CONNECTOR	1	1	1					
5	1	172157-76300	ELBOW 3/8-1/2	1	1	1					
6	2	24315-000180	O-RING 1B P-18.0	1	1	1					
7	1	22137-060000	WASHER 6, POLISHED	2	2	2					
8	1	26013-060552	BOLT, 6 X 55	2	2	2					
9	1	41851-000180	O RING	1	1	1					

Fig.71. SWIVEL JOINT(Y SPEC.)TO M92121

(A)=VIO80(US)
 (B)=VIO80(AS)
 (C)=VIO80(NZ)

(D)=
 (E)=
 (F)=



REF.	LEV.	PARTS NO.	DESCRIPTION	QTY						I	R	
				(A)	(B)	(C)	(D)	(E)	(F)			
1	1	172187-73801 (A=M92122) (B=M92122) (C=M92122)	JOINT ASSY, SWIVEL	1	1	1					Z	1
2	2	172147-73810	SHAFT, SWIVEL	1	1	1						
3	2	172147-73830	HUB, SWIVEL	1	1	1						
4	2	172147-73850	PLATE, SWIVEL	1	1	1						
5	2	172122-73860	SPACER, SWIVEL	1	1	1						
6	2	172122-73870	WASHER, THRUST	1	1	1						
7	2	22242-000700	RING	1	1	1						
8	2	23871-030000	PLUG	4	4	4						
9	2	26013-100402	BOLT	4	4	4						
10	2	172147-73880	SEAL ASSY	1	1	1						
11	3	172122-73890	SEAL, SWIVEL	8	8	8						
12	3	24311-000800	O-RING	1	1	1						
13	3	24311-001000	O-RING	1	1	1						
14	3	24321-000950	O-RING	1	1	1						
15	1	26013-120402	BOLT	4	4	4						

Remarks
 (1)Replacement with
 Fig.120(71B),Ref.No1.

Fig.119. (71A)SWIVEL JOINT(N SPEC.)FROM M92122

(A)=VIO80(US)

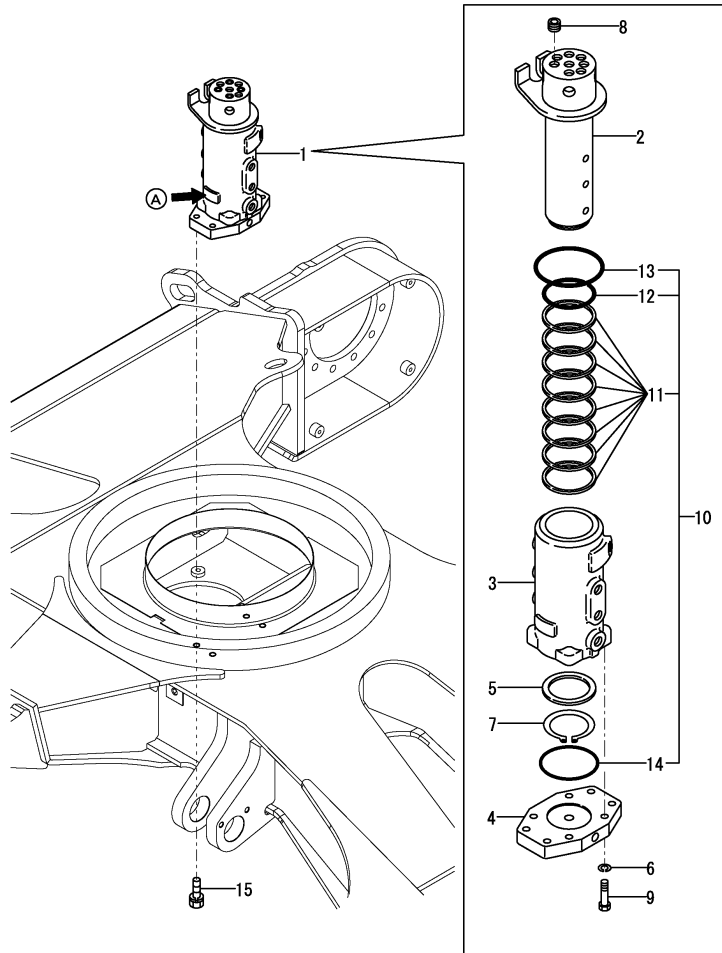
(B)=VIO80(AS)

(C)=VIO80(NZ)

(D)=

(E)=

(F)=



REF.	LEV.	PARTS NO.	DESCRIPTION	QTY						I	R
				(A)	(B)	(C)	(D)	(E)	(F)		
1	1	172A65-73800 (A=M92122)	JOINT ASSY, SWIVEL (B=M92122) (C=M92122)	1	1	1					W
2	2	172A65-73810	SHAFT ASSY	1	1	1					
3	2	172A65-73840	ROTOR	1	1	1					
4	2	172A65-73850	FLANGE	1	1	1					
5	2	172A65-73860	SPACER	1	1	1					
6	2	22217-100000	WASHER, SPRING	4	4	4					
7	2	22242-000720	RING	1	1	1					
8	2	23871-030000	PLUG	4	4	4					
9	2	26076-100402	BOLT	4	4	4					
10	2	172A65-73880	SEAL KIT	1	1	1					
11	3	172A65-73870	SEAL	8	8	8					
12	3	24315-000800	O-RING	1	1	1					
13	3	24315-001000	O-RING	1	1	1					
14	3	24325-000950	O-RING	1	1	1					
15	1	26013-120402	BOLT	4	4	4					

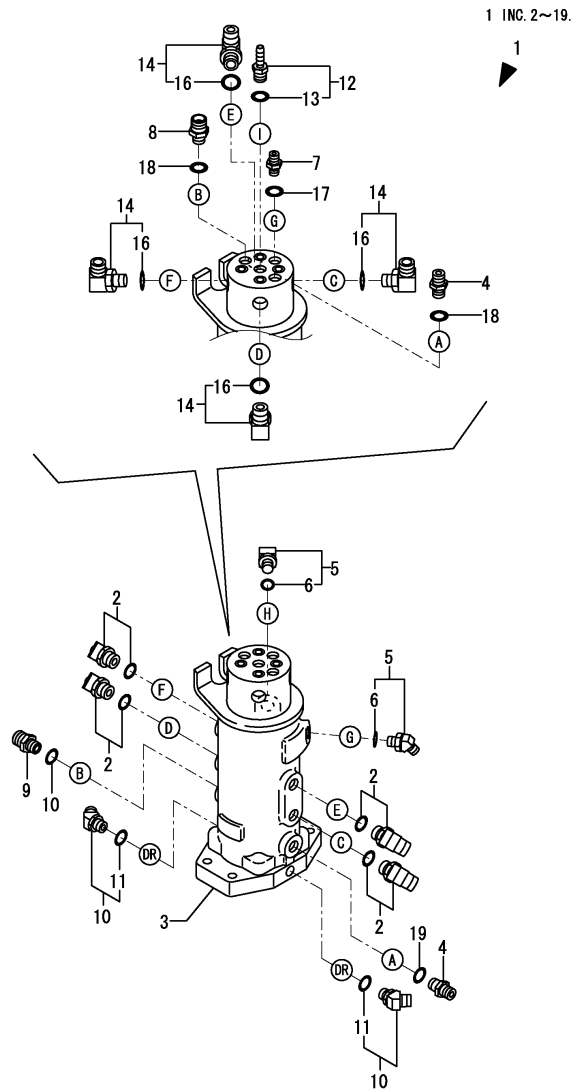
Remarks

* A: "NACHI" LABEL

* Interchangeable by simultaneous replacement with Fig.120(71B)

Ref. No.1 from Y spec.

Fig.120. (71B)SWIVEL JOINT KIT(N SPEC.)FROM M92122

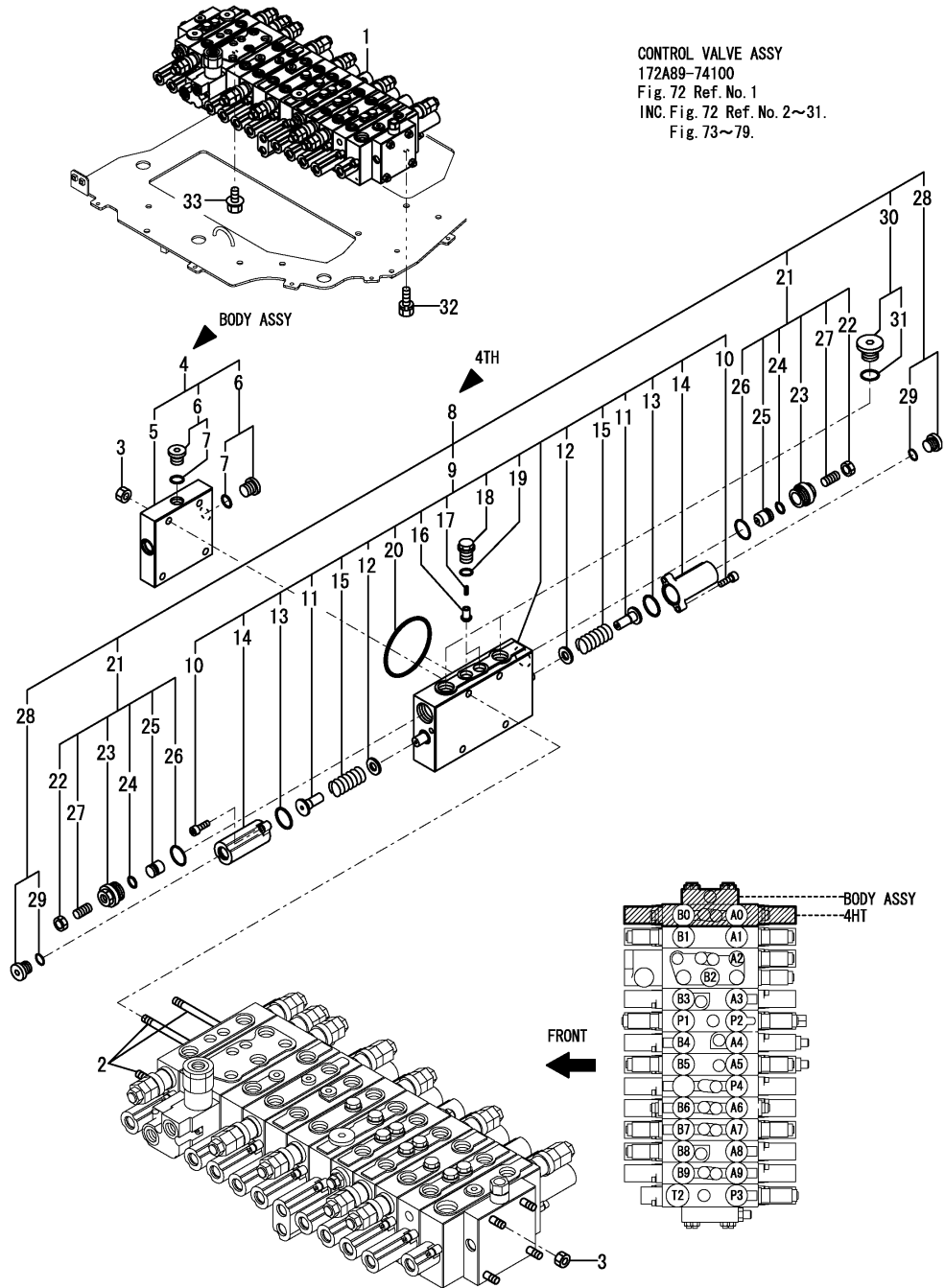


(A)=VIO80(US) (D)=
 (B)=VIO80(AS) (E)=
 (C)=VIO80(NZ) (F)=

REF.	LEV.	PARTS NO.	DESCRIPTION	QTY						I	R
				(A)	(B)	(C)	(D)	(E)	(F)		
1	1	172A89-73900 (A=M92122) (B=M92122) (C=M92122)	JOINT KIT, SWIVEL	1	1	1					W
2	2	1D4180-22850	ELBOW PF1/2,45	4	4	4					
3	2	172A65-73800	JOINT ASSY, SWIVEL	1	1	1					1
4	2	172730-75141	ADAPTER	2	2	2					
5	2	172173-76102	CONNECTOR ASSY	2	2	2					
6	3	41851-000110	O-RING	1	1	1					
7	2	172123-76121	ADAPTER	1	1	1					
8	2	172168-76162	CONNECTOR	1	1	1					
9	2	172168-76162	CONNECTOR	1	1	1					
10	2	172644-76161	ELBOW, ADJUST	2	2	2					
11	3	24315-000140	O-RING	1	1	1					
12	2	172A65-76700	CONNECTOR, G3/8	1	1	1					
13	3	41851-000140	O-RING	1	1	1					
14	2	172141-76900	CONNECTOR ASSY	4	4	4					
16	3	24315-000180	O-RING	1	1	1					
17	2	41851-000110	O-RING	1	1	1					
18	2	41851-000140	O-RING	2	2	2					
19	2	41851-000140	O-RING	2	2	2					

Remarks
 (1)Inner parts are shown in
 Fig.119(71A).

Fig.72. CONTROL VALVE(1/8)



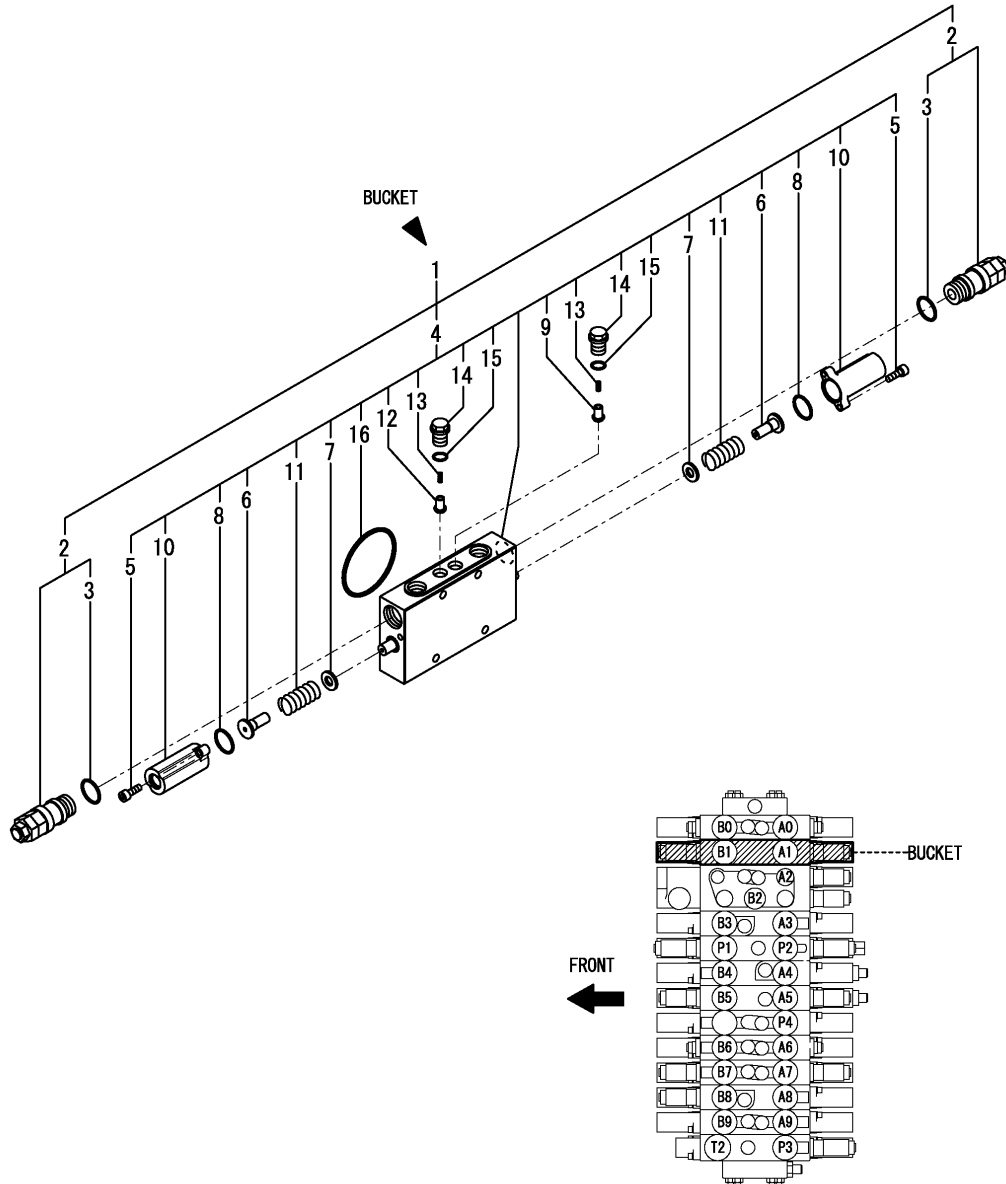
(A)=VIO80(US)
(B)=VIO80(AS)
(C)=VIO80(NZ)

(D)=
(E)=
(F)=

REF.	LEV.	PARTS NO.	DESCRIPTION	QTY						I	R
				(A)	(B)	(C)	(D)	(E)	(F)		
1	1	172A89-74100	VALVE ASSY, CONTROL	1	1	1					
1-1	1	172A89-74101	VALVE ASSY, CONTROL	1	1	1					N
		(A=MZZZZZ) (B=MZZZZZ) (C=MZZZZZ)									
1-2	1	172A89-74102	VALVE ASSY, CONTROL	1	1	1					N
		(A=MZZZZZ) (B=MZZZZZ) (C=MZZZZZ)									
2	2	172A69-71260	TIE-ROD	4	4	4					
3	2	172422-74110	NUT	8	8	8					
4	2	172A69-74110	BODY ASSY	1	1	1					
5	3	172478-74360	BODY	1	1	1					
6	3	172187-74530	PLUG ASSY	2	2	2					
7	4	24315-000110	O-RING	2	2	2					
8	2	172A69-74170	SECTION ASSY, 4TH	1	1	1					
9	3	172A69-74180	SECTION, 4TH	1	1	1					
10	4	172151-74060	BOLT, SOCKET HEAD	4	4	4					
11	4	172478-74180	SEAT, SPRING	2	2	2					
12	4	172175-74220	SEAT, SPRING	2	2	2					
13	4	172151-74320	O-RING	2	2	2					
14	4	172455-74390	CAP	2	2	2					
15	4	172455-74410	SPRING	2	2	2					
16	4	172455-74420	POPPET	2	2	2					
17	4	172455-74440	SPRING	2	2	2					
18	4	172455-74450	PLUG	2	2	2					
19	4	172455-74460	O-RING	2	2	2					
20	4	24321-000700	O-RING	1	1	1					
21	3	172455-74320	VALVE ASSY, SHUT-OFF	2	2	2					
22	4	172455-74010	NUT, SHOE	1	1	1					
23	4	172455-74020	PLUG	1	1	1					
24	4	172455-74030	O-RING	1	1	1					
25	4	172455-74040	POPPET	1	1	1					
26	4	172116-74150	O-RING	1	1	1					
27	4	172455-74990	SCREW, SETTING	1	1	1					
28	3	172187-74530	PLUG ASSY	2	2	2					
29	4	24315-000110	O-RING	1	1	1					
30	3	172187-74550	PLUG ASSY	2	2	2					
31	4	24315-000180	O-RING	2	2	2					
32	1	26013-100162	BOLT	2	2	2					
33	1	26106-100122	BOLT	1	1	1					

Fig.73. CONTROL VALVE(2/8)

CONTROL VALVE ASSY
 172A89-74100
 Fig. 72 Ref. No. 1
 INC. Fig. 72 Ref. No. 2~31.
 Fig. 73~79.



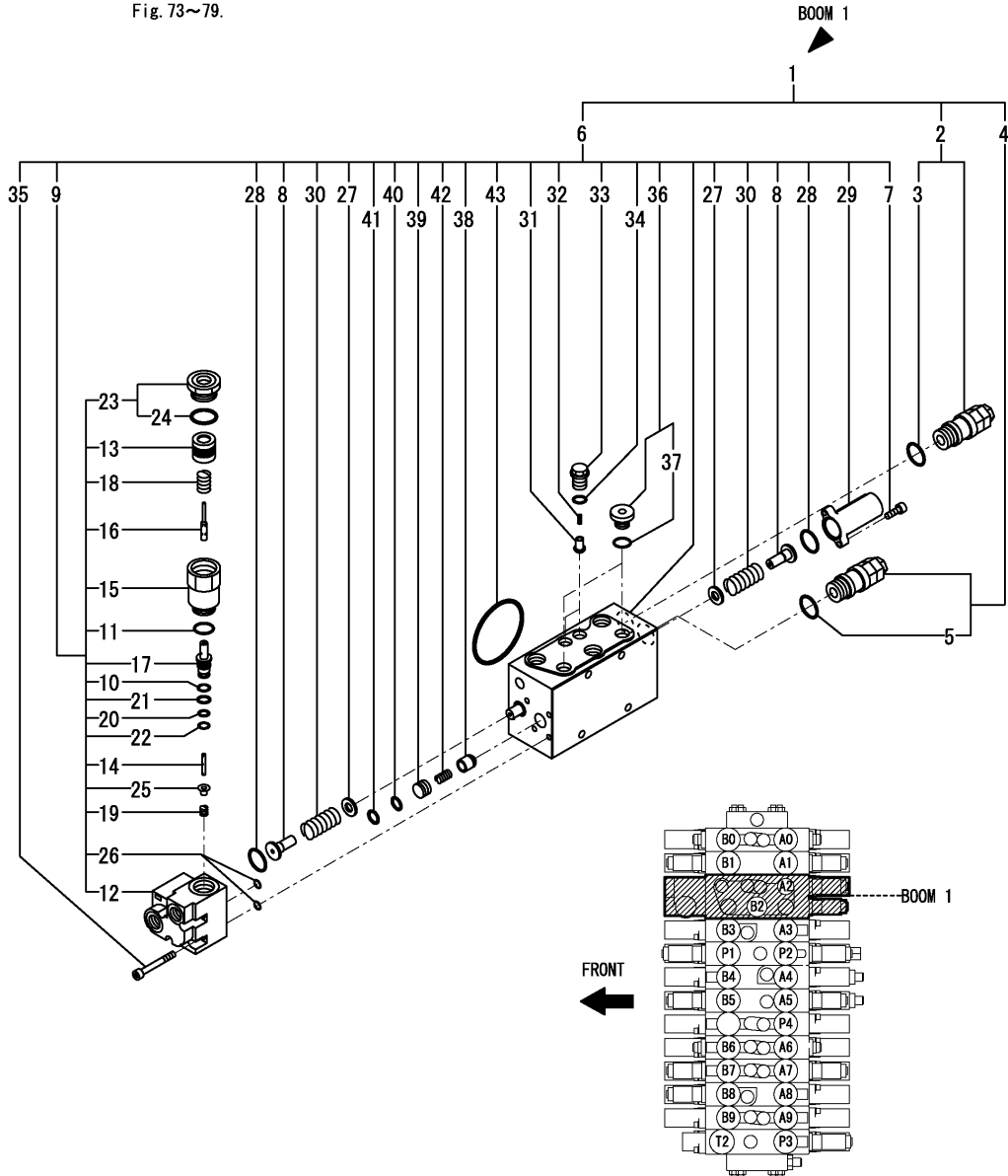
(A)=VIO80(US)
 (B)=VIO80(AS)
 (C)=VIO80(NZ)

(D)=
 (E)=
 (F)=

REF.	LEV.	PARTS NO.	DESCRIPTION	QTY						I	R
				(A)	(B)	(C)	(D)	(E)	(F)		
1	2	172A89-74140	SECTION ASSY, BUCKET	1	1	1					
1-1	2	172A89-74141	SECTION ASSY, BUCKET	1	1	1					N
		(A=MZZZZZ) (B=MZZZZZ) (C=MZZZZZ)									
2	3	172A89-74150	VALVE RELIEF 29.5/50	2	2	2					
3	4	172116-74150	O-RING	1	1	1					
4	3	172A89-74160	SECTION, BUCKET	1	1	1					
4-1	3	172A89-74161	SECTION, BUCKET	1	1	1					N
		(A=MZZZZZ) (B=MZZZZZ) (C=MZZZZZ)									
5	4	172151-74060	BOLT, SOCKET HEAD	4	4	4					
6	4	172478-74180	SEAT, SPRING	2	2	2					
7	4	172175-74220	SEAT, SPRING	2	2	2					
8	4	172151-74320	O-RING	2	2	2					
9	4	172478-74320	POPPET	1	1	1					
9-1	4	172478-74170	POPPET	1	1	1					N
		(A=MZZZZZ) (B=MZZZZZ) (C=MZZZZZ)									
10	4	172455-74390	CAP	2	2	2					
11	4	172455-74410	SPRING	2	2	2					
12	4	172455-74420	POPPET	1	1	1					
13	4	172455-74440	SPRING	2	2	2					
14	4	172455-74450	PLUG	2	2	2					
15	4	172455-74460	PACKING	2	2	2					
16	4	24321-000700	PACKING, G 70.0	1	1	1					

Fig.74. CONTROL VALVE(3/8)

CONTROL VALVE ASSY
172A89-74100
Fig. 72 Ref. No. 1
INC. Fig. 72 Ref. No. 2~31.
Fig. 73~79.



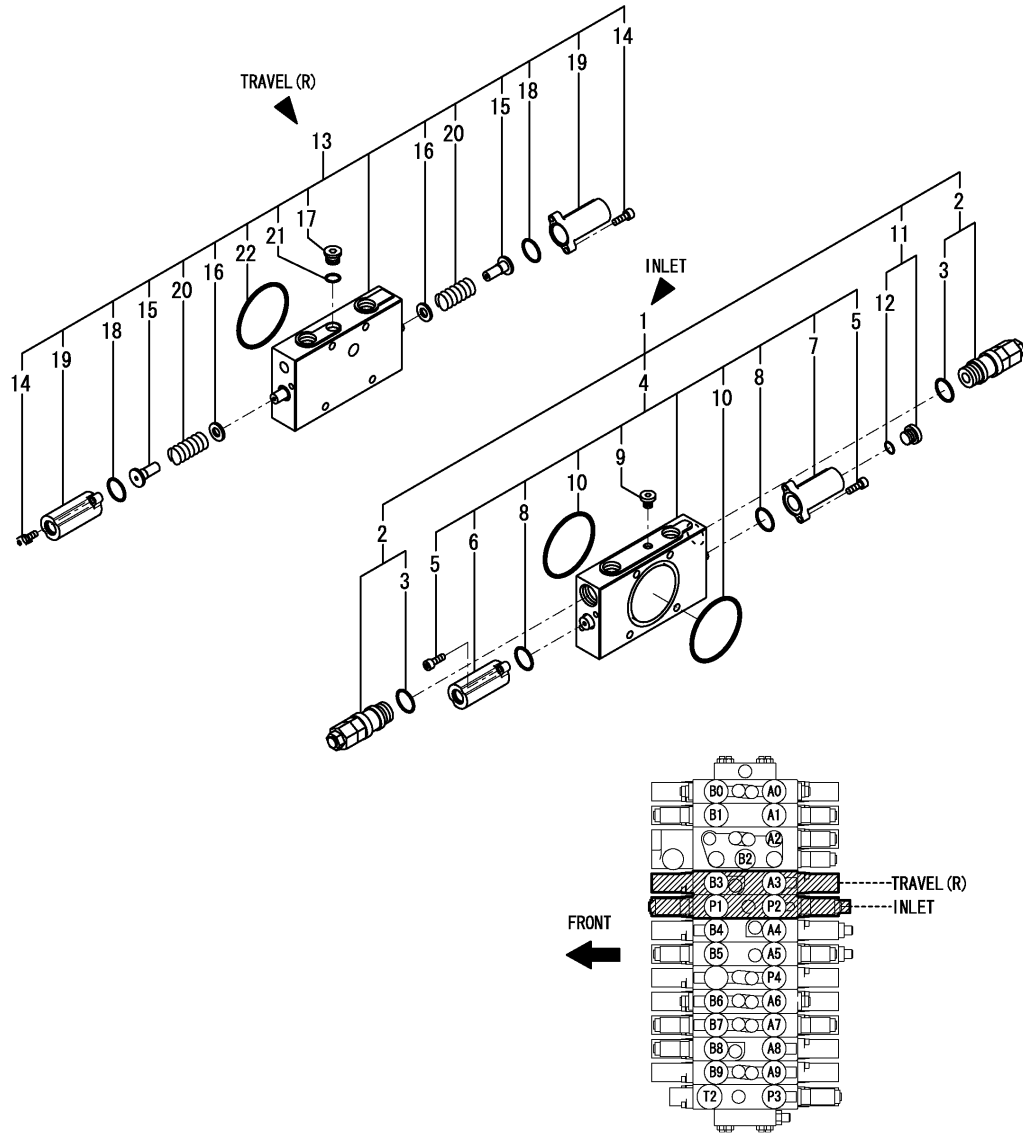
(A)=VIO80(US)
(B)=VIO80(AS)
(C)=VIO80(NZ)

(D)=
(E)=
(F)=

REF.	LEV.	PARTS NO.	DESCRIPTION	QTY						I	R
				(A)	(B)	(C)	(D)	(E)	(F)		
1	2	172A89-74180	SECTION ASSY, BOOM 1	1	1	1					
2	3	172A89-74150	VALVE RELIEF 29.5/50	1	1	1					
3	4	172116-74150	O-RING	1	1	1					
4	3	172A89-74190	VALVE RELIEF 29.5/50	1	1	1					
5	4	172116-74150	O-RING	1	1	1					
6	3	172A89-74200	SECTION, BOOM 1	1	1	1					
7	4	172151-74060	BOLT, SOCKET HEAD	2	2	2					
8	4	172478-74180	SEAT,SPRING	2	2	2					
9	4	172488-74200	ANTI-DRIFT VALVE	1	1	1					
10	5	172638-73650	RING	1	1	1					
11	5	172116-74150	O-RING	1	1	1					
12	5	172488-74210	BODY	1	1	1					
13	5	172488-74220	PISTON	1	1	1					
14	5	172455-74590	POPPET	1	1	1					
15	5	172455-74600	PLUG	1	1	1					
16	5	172455-74620	SPOOL	1	1	1					
17	5	172455-74630	SLEEVE	1	1	1					
18	5	172455-74640	SPRING	1	1	1					
19	5	172455-74650	SPRING	1	1	1					
20	5	172455-74660	PACKING	1	1	1					
21	5	172455-74670	PACKING	1	1	1					
22	5	172455-74680	BACK UP RING	1	1	1					
23	5	172187-74690	PLUG	1	1	1					
24	6	172312-74770	O-RING	1	1	1					
25	5	172455-74720	SEAT, SPRING	1	1	1					
26	5	24315-000070	O-RING 1B P-7.0	2	2	2					
27	4	172175-74220	SEAT, SPRING	2	2	2					
28	4	172151-74320	O-RING	2	2	2					
29	4	172455-74390	CAP	1	1	1					
30	4	172455-74410	SPRING	2	2	2					
31	4	172455-74420	POPPET	2	2	2					
32	4	172455-74440	SPRING	2	2	2					
33	4	172455-74450	PLUG	2	2	2					
34	4	172455-74460	PACKING	2	2	2					
35	4	172455-74530	BOLT,SOCKET HEAD	5	5	5					
36	4	172187-74540	PLUG	2	2	2					
37	5	24315-000140	O-RING 1B P-14.0	1	1	1					
38	4	172455-74550	POPPET	1	1	1					
39	4	172455-74560	SPACER	1	1	1					
40	4	172455-74570	O-RING	1	1	1					
41	4	172455-74580	RING,BACK-UP	1	1	1					
42	4	172187-74630	SPRING	1	1	1					
43	4	24321-000700	PACKING, G 70.0	1	1	1					

Fig.75. CONTROL VALVE(4/8)

CONTROL VALVE ASSY
 172A89-74100
 Fig. 72 Ref. No. 1
 INC. Fig. 72 Ref. No. 2~31.
 Fig. 73~79.



OCS10-G55700 75. CONTROL VALVE(4/8)

(A)=VIO80(US)
 (B)=VIO80(AS)
 (C)=VIO80(NZ)

(D)=
 (E)=
 (F)=

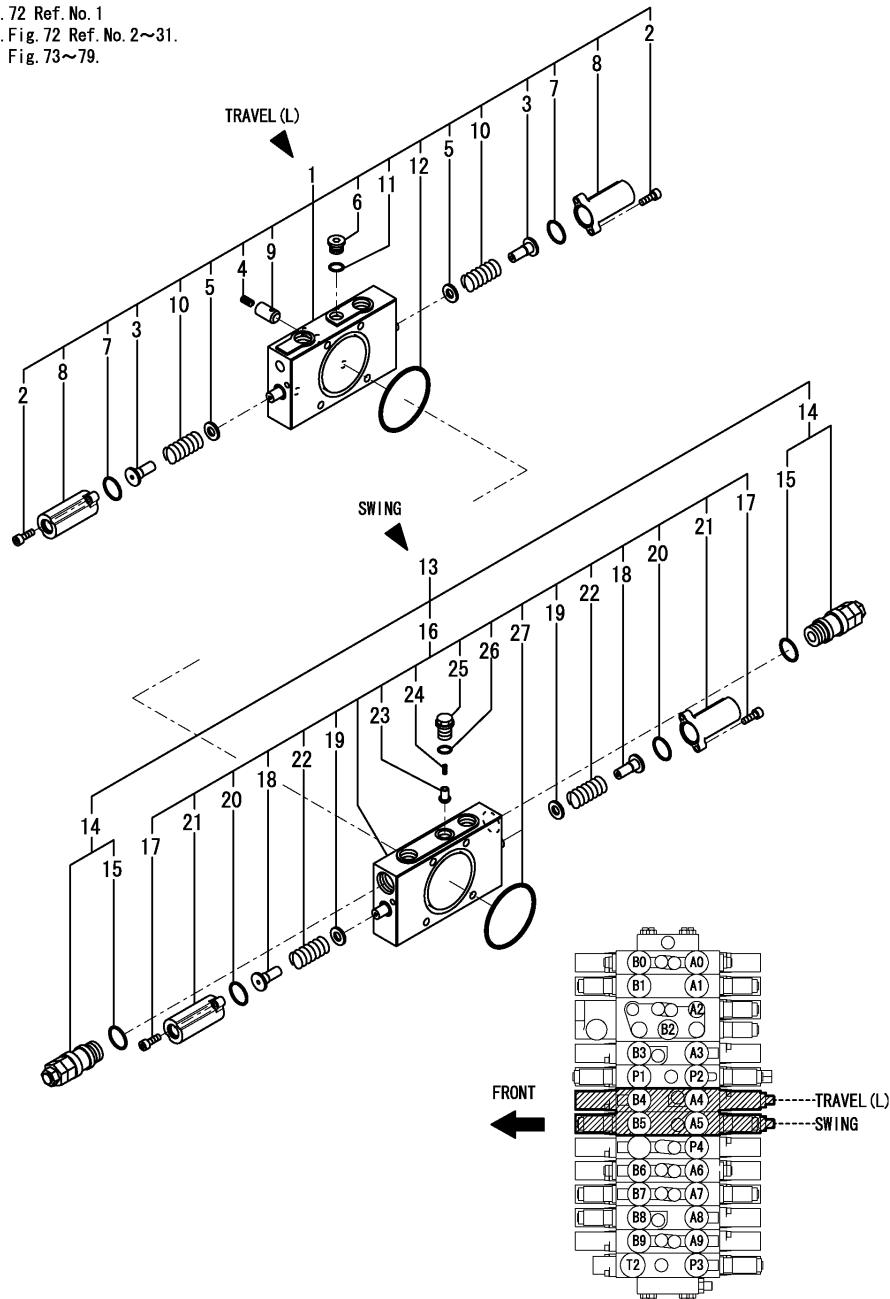
REF.	LEV.	PARTS NO.	DESCRIPTION	QTY						I	R
				(A)	(B)	(C)	(D)	(E)	(F)		
1	2	172A89-74120	INLET SECTION ASSY	1	1	1					
2	3	172A89-74130	VALVE,RELIEF 25.7/30	2	2	2					
3	4	172116-74150	O-RING	2	2	2					
4	3	172A69-74140	INLET SECTION	1	1	1					
5	4	172151-74060	BOLT, SOCKET HEAD	4	4	4					
6	4	172A69-74150	CAP ASSY	1	1	1					
7	4	172A69-74160	CAP	1	1	1					
8	4	172151-74320	O-RING	2	2	2					
9	4	172422-74330	PLUG	1	1	1					
10	4	24321-000700	PACKING, G 70.0	2	2	2					
11	3	172187-74530	PLUG ASSY	1	1	1					
12	4	24315-000110	O-RING 1B P-11.0	1	1	1					
13	2	172A89-74210	SECTION,TRAVEL R	1	1	1					
14	3	172151-74060	BOLT, SOCKET HEAD	4	4	4					
15	3	172478-74180	SEAT,SPRING	2	2	2					
16	3	172175-74220	SEAT, SPRING	2	2	2					
17	3	172A69-74250	PLUG	1	1	1					
18	3	172151-74320	O-RING	2	2	2					
19	3	172455-74390	CAP	2	2	2					
20	3	172455-74410	SPRING	2	2	2					
21	3	172455-74460	PACKING	1	1	1					
22	3	24321-000700	PACKING, G 70.0	1	1	1					

Fig.76. CONTROL VALVE(5/8)

(A)=VIO80(US)
 (B)=VIO80(AS)
 (C)=VIO80(NZ)

(D)=
 (E)=
 (F)=

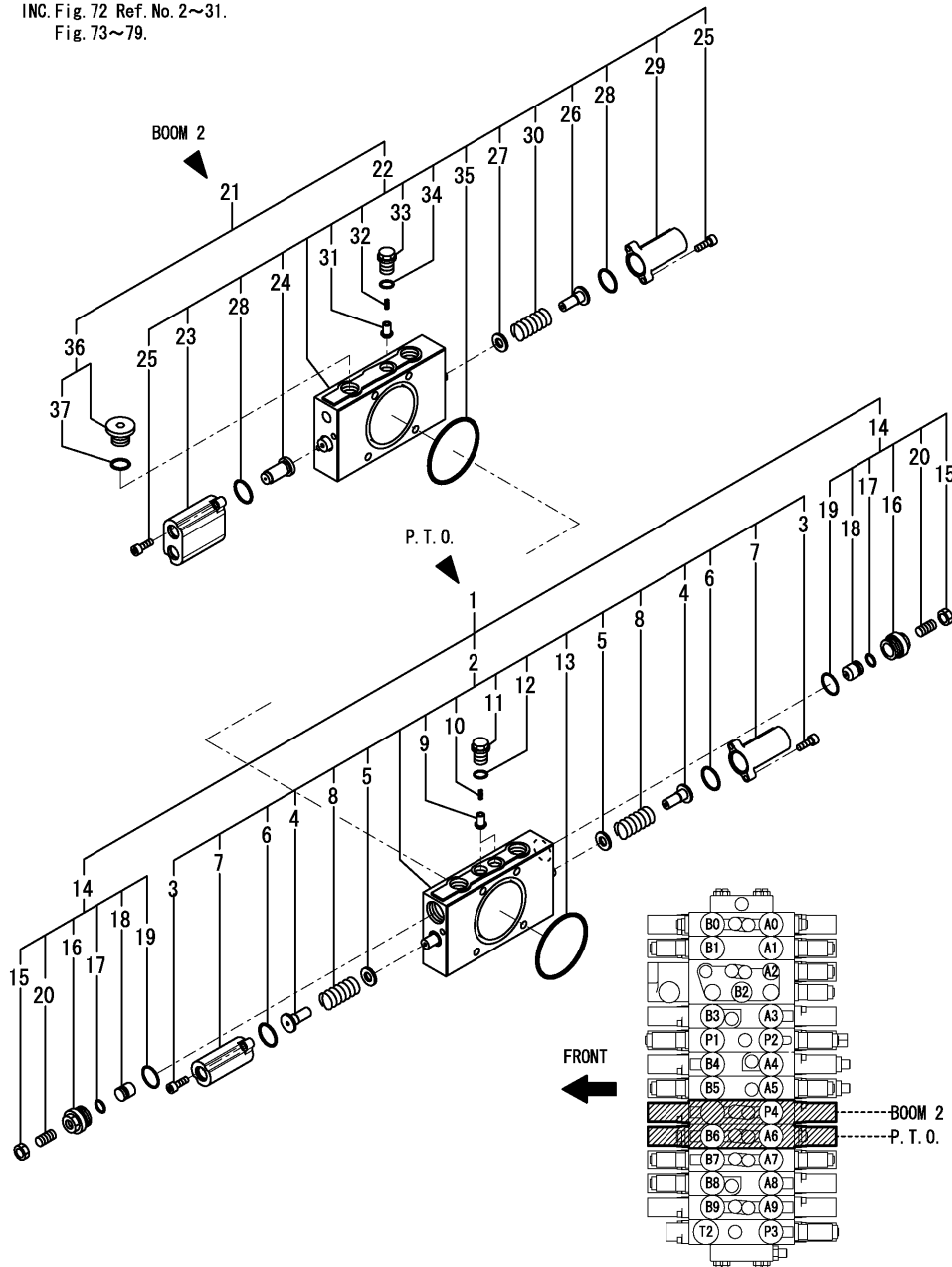
CONTROL VALVE ASSY
 172A89-74100
 Fig. 72 Ref. No. 1
 INC. Fig. 72 Ref. No. 2~31.
 Fig. 73~79.



REF.	LEV.	PARTS NO.	DESCRIPTION	Q'TY						I	R
				(A)	(B)	(C)	(D)	(E)	(F)		
1	2	172A89-74220	SECTION,TRAVEL L	1	1	1					
2	3	172151-74060	BOLT, SOCKET HEAD	4	4	4					
3	3	172478-74180	SEAT,SPRING	2	2	2					
4	3	172113-74190	SPRING	1	1	1					
5	3	172175-74220	SEAT, SPRING	2	2	2					
6	3	172A69-74250	PLUG	1	1	1					
7	3	172151-74320	O-RING	2	2	2					
8	3	172455-74390	CAP	2	2	2					
9	3	172187-74410	POPPET, VALVE	1	1	1					
10	3	172455-74410	SPRING	2	2	2					
11	3	172455-74460	PACKING	1	1	1					
12	3	24321-000700	PACKING, G 70.0	1	1	1					
13	2	172A89-74230	SECTION,SWING ASSY	1	1	1					
14	3	172A89-74150	VALVE RELIEF 29.5/50	2	2	2					
15	4	172116-74150	O-RING	1	1	1					
16	3	172A69-74280	SECTION,SWING	1	1	1					
17	4	172151-74060	BOLT, SOCKET HEAD	4	4	4					
18	4	172478-74180	SEAT,SPRING	2	2	2					
19	4	172175-74220	SEAT, SPRING	2	2	2					
20	4	172151-74320	O-RING	2	2	2					
21	4	172455-74390	CAP	2	2	2					
22	4	172455-74410	SPRING	2	2	2					
23	4	172455-74420	POPPET	1	1	1					
24	4	172455-74440	SPRING	1	1	1					
25	4	172455-74450	PLUG	1	1	1					
26	4	172455-74460	PACKING	1	1	1					
27	4	24321-000700	PACKING, G 70.0	1	1	1					

Fig.77. CONTROL VALVE(6/8)

CONTROL VALVE ASSY
172A89-74100
Fig. 72 Ref. No. 1
INC. Fig. 72 Ref. No. 2~31.
Fig. 73~79.



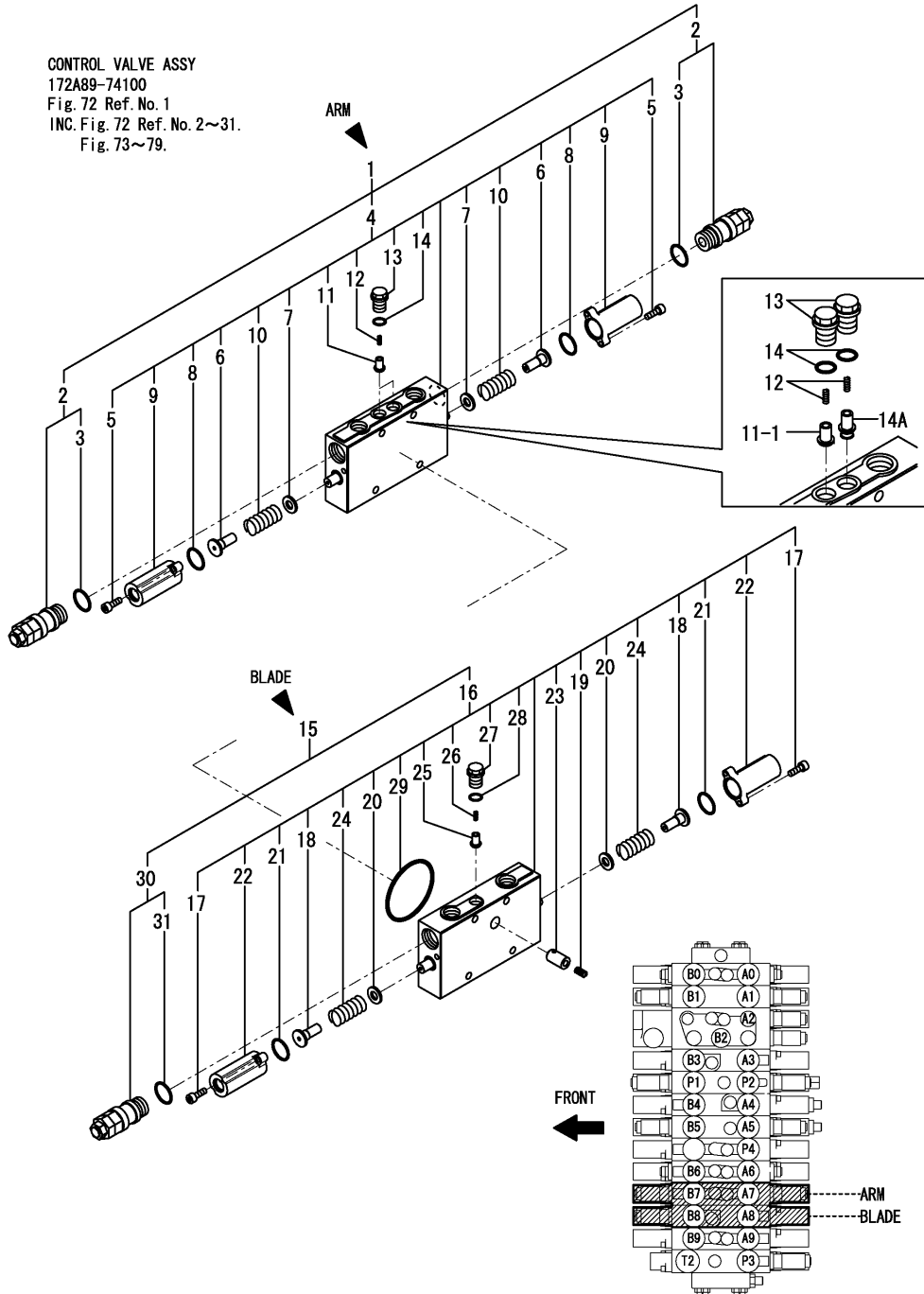
(A)=VIO80(US)
(B)=VIO80(AS)
(C)=VIO80(NZ)

(D)=
(E)=
(F)=

REF.	LEV.	PARTS NO.	DESCRIPTION	QTY						I	R
				(A)	(B)	(C)	(D)	(E)	(F)		
1	2	172A69-71130	PTO SECTION ASSY	1	1	1					
2	3	172A69-71140	PTO SECTION	1	1	1					
3	4	172151-74060	BOLT, SOCKET HEAD	4	4	4					
4	4	172478-74180	SEAT,SPRING	2	2	2					
5	4	172175-74220	SEAT, SPRING	2	2	2					
6	4	172151-74320	O-RING	2	2	2					
7	4	172455-74390	CAP	2	2	2					
8	4	172455-74410	SPRING	2	2	2					
9	4	172455-74420	POPPET	2	2	2					
10	4	172455-74440	SPRING	2	2	2					
11	4	172455-74450	PLUG	2	2	2					
12	4	172455-74460	PACKING	2	2	2					
13	4	24321-000700	PACKING, G 70.0	1	1	1					
14	3	172455-74320	SHUTOFF VALVE	2	2	2					
15	4	172455-74010	NUT, SHOE	1	1	1					
16	4	172455-74020	PLUG	1	1	1					
17	4	172455-74030	O-RING	1	1	1					
18	4	172455-74040	POPPET, VALVE	1	1	1					
19	4	172116-74150	O-RING	1	1	1					
20	4	172455-74990	SCREW SET	1	1	1					
21	2	172A69-74290	SECTION ASSY, BOOM 2	1	1	1					
21-1	2	172A69-74291	SECTION ASSY, BOOM 2	1	1	1					N
		(A=MZZZZZ) (B=MZZZZZ) (C=MZZZZZ)									
22	3	172A69-74300	SECTION, BOOM 2	1	1	1					
22-1	3	172A69-74301	SECTION, BOOM 2	1	1	1					N
		(A=MZZZZZ) (B=MZZZZZ) (C=MZZZZZ)									
23	4	172A69-71110	CAP	1	1	1					
24	4	172A69-71120	PISTON	1	1	1					
25	4	172151-74060	BOLT, SOCKET HEAD	4	4	4					
26	4	172478-74180	SEAT,SPRING	1	1	1					
27	4	172175-74220	SEAT, SPRING	1	1	1					
28	4	172151-74320	O-RING	2	2	2					
29	4	172455-74390	CAP	1	1	1					
30	4	172455-74410	SPRING	1	1	1					
31	4	172455-74420	POPPET	1	1	1					
32	4	172455-74440	SPRING	1	1	1					
33	4	172455-74450	PLUG	1	1	1					
34	4	172455-74460	PACKING	1	1	1					
35	4	24321-000700	PACKING, G 70.0	1	1	1					
36	3	172187-74550	PLUG	1	1	1					
37	4	24315-000180	O-RING 1B P-18.0	1	1	1					

Fig.78. CONTROL VALVE(7/8)

CONTROL VALVE ASSY
172A89-74100
Fig. 72 Ref. No. 1
INC. Fig. 72 Ref. No. 2~31.
Fig. 73~79.



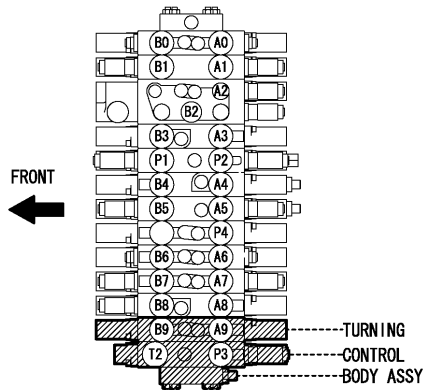
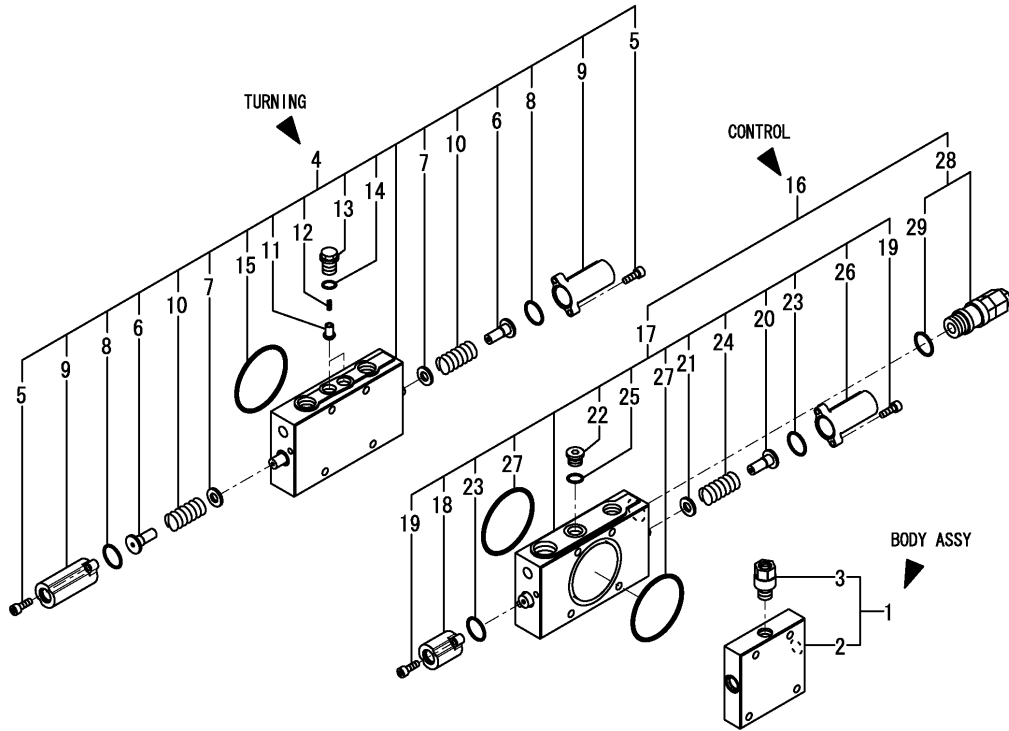
(A)=VIO80(US)
(B)=VIO80(AS)
(C)=VIO80(NZ)

(D)=
(E)=
(F)=

REF.	LEV.	PARTS NO.	DESCRIPTION	QTY						I	R
				(A)	(B)	(C)	(D)	(E)	(F)		
1	2	172A89-74240	VALVE ASY,SECTION	1	1	1					
2	3	172A89-74150	VALVE RELIEF 29.5/50	2	2	2					
3	4	172116-74150	O-RING	1	1	1					
4	3	172A89-74260	VALVE ASY,SECTION	1	1	1					
5	4	172151-74060	BOLT, SOCKET HEAD	4	4	4					
6	4	172478-74180	SEAT, SPRING	2	2	2					
7	4	172175-74220	SEAT, SPRING	2	2	2					
8	4	172151-74320	O-RING	2	2	2					
9	4	172455-74390	CAP	2	2	2					
10	4	172455-74410	SPRING	2	2	2					
11	4	172455-74420	POPPET	2	2	2					
11-1	4	172455-74420	POPPET	1	1	1					K
(A=MZZZZZ) (B=MZZZZZ) (C=MZZZZZ)											
12	4	172455-74440	SPRING	2	2	2					
13	4	172455-74450	PLUG	2	2	2					
14	4	172455-74460	O-RING	2	2	2					
14A	4	172A89-74330	VALVE, POPPET	1	1	1					W
(A=MZZZZZ) (B=MZZZZZ) (C=MZZZZZ)											
15	2	172A89-74280	SECTION ASSY, BLADE	1	1	1					
16	3	172A69-71190	SECTION, BLADE	1	1	1					
17	4	172151-74060	BOLT, SOCKET HEAD	4	4	4					
18	4	172478-74180	SEAT, SPRING	2	2	2					
19	4	172113-74190	SPRING	1	1	1					
20	4	172175-74220	SEAT, SPRING	2	2	2					
21	4	172151-74320	O-RING	2	2	2					
22	4	172455-74390	CAP	2	2	2					
23	4	172187-74410	POPPET	1	1	1					
24	4	172455-74410	SPRING	2	2	2					
25	4	172455-74420	POPPET	1	1	1					
26	4	172455-74440	SPRING	1	1	1					
27	4	172455-74450	PLUG	1	1	1					
28	4	172455-74460	O-RING	1	1	1					
29	4	24321-000700	O-RING	1	1	1					
30	3	172A89-74290	VALVE RELIEF 15/50L	1	1	1					
31	4	172116-74150	O-RING	1	1	1					

Fig.79. CONTROL VALVE(8/8)

CONTROL VALVE ASSY
172A89-74100
Fig. 72 Ref. No. 1
INC. Fig. 72 Ref. No. 2~31.
Fig. 73~79.



(A)=VIO80(US)
(B)=VIO80(AS)
(C)=VIO80(NZ)

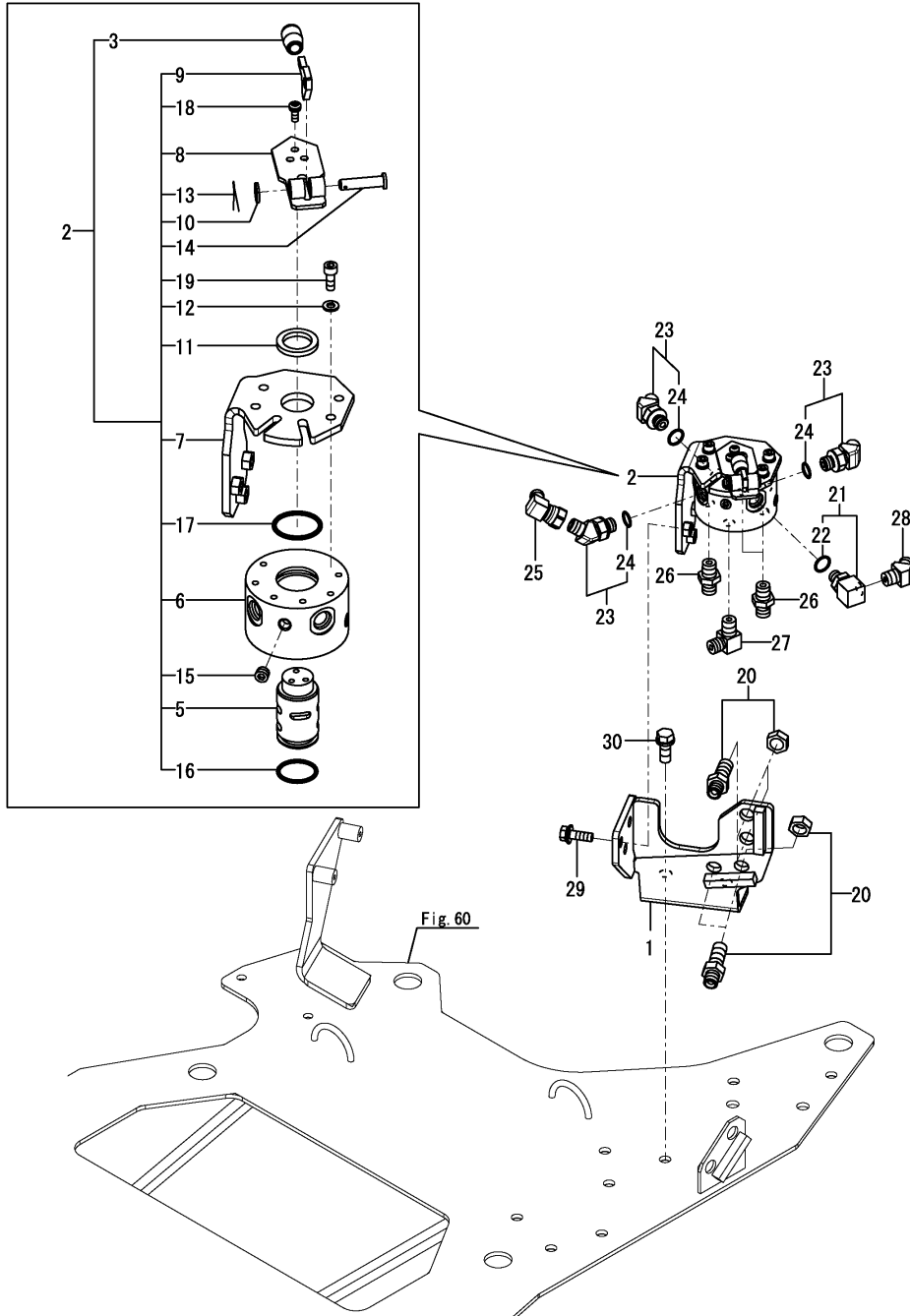
(D)=
(E)=
(F)=

REF.	LEV.	PARTS NO.	DESCRIPTION	Q'TY						I	R
				(A)	(B)	(C)	(D)	(E)	(F)		
1	2	172A69-71250	BODY ASSY	1	1	1					
2	3	172478-74360	BODY	1	1	1					
3	3	172478-74370	PLUG ASSY	1	1	1					
4	2	172A89-74270	SECTION, SWING	1	1	1					
5	3	172151-74060	BOLT, SOCKET HEAD	4	4	4					
6	3	172478-74180	SEAT, SPRING	2	2	2					
7	3	172175-74220	SEAT, SPRING	2	2	2					
8	3	172151-74320	O-RING	2	2	2					
9	3	172455-74390	CAP	2	2	2					
10	3	172455-74410	SPRING	2	2	2					
11	3	172455-74420	POPPET	2	2	2					
12	3	172455-74440	SPRING	2	2	2					
13	3	172455-74450	PLUG	2	2	2					
14	3	172455-74460	PACKING	2	2	2					
15	3	24321-000700	PACKING, G 70.0	1	1	1					
16	2	172A89-74300	SECTION ASSY, CONTROL	1	1	1					
17	3	172A69-71230	SECTION CONTROL	1	1	1					
18	4	172A69-71240	CAP ASSY	1	1	1					
19	4	172151-74060	BOLT, SOCKET HEAD	4	4	4					
20	4	172478-74180	SEAT, SPRING	1	1	1					
21	4	172175-74220	SEAT, SPRING	1	1	1					
22	4	172A69-74250	PLUG	1	1	1					
23	4	172151-74320	O-RING	2	2	2					
24	4	172455-74410	SPRING	1	1	1					
25	4	172455-74460	PACKING	1	1	1					
26	4	172455-74480	CAP	1	1	1					
27	4	24321-000700	PACKING, G 70.0	2	2	2					
28	3	172A89-74310	VALVE, RELIEF 24.2/50	1	1	1					
29	4	172116-74150	O-RING	1	1	1					

Fig.80. 2-WAY VALVE

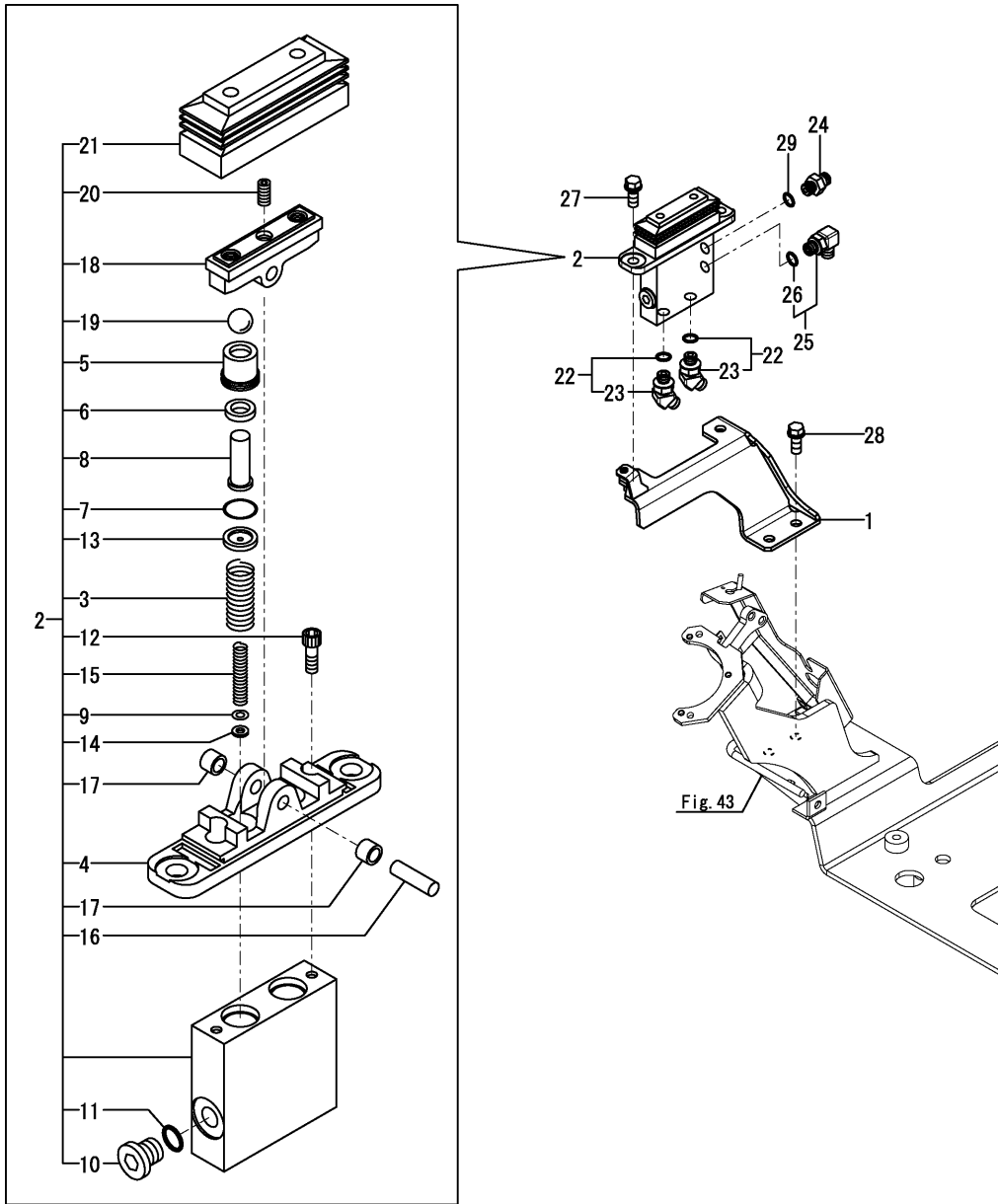
(A)=VIO80(US)
 (B)=VIO80(AS)
 (C)=VIO80(NZ)

(D)=
 (E)=
 (F)=



REF.	LEV.	PARTS NO.	DESCRIPTION	QTY						I	R
				(A)	(B)	(C)	(D)	(E)	(F)		
1	1	172A69-71750	BRACKET ASSY,2WAY	1	1	1					
2	1	172A36-74690	VALVE ASSY,2WAY	1	1	1					
3	2	172157-58830	KNOB 6.5X18X35	1	1	1					
5	3	172437-74711	SHAFT	1	1	1					
6	3	172437-74720	BLOCK,VALVE	1	1	1					
7	3	172437-74732	STAY ASSY	1	1	1					
8	3	172A36-74750	LEVER	1	1	1					
9	3	172A36-74780	PLATE,LOCK	1	1	1					
10	3	22117-080000	WASHER 8	1	1	1					
11	3	22137-240000	WASHER 24,POLISHED	1	1	1					
12	3	22217-060000	SPRING WASHER 6	4	4	4					
13	3	22417-200160	COTTER PIN 2.0X16	1	1	1					
14	3	22487-080300	PIN 8X 30	1	1	1					
15	3	23871-010000	PLUG PT1/8,SCREW	4	4	4					
16	3	24311-000250	O-RING 1A P-25.0	1	1	1					
17	3	24311-000320	O-RING 1A P-32.0	1	1	1					
18	3	26022-050122	SCREW M 5X 12	3	3	3					
19	3	26450-060162	BOLT M 6X 16	4	4	4					
20	1	172151-76050	JOINT	4	4	4					
21	1	172137-76100	ELBOW PF1/4	1	1	1					
22	2	24315-000110	O-RING 1B P-11.0	1	1	1					
23	1	172173-76102	CONNECTOR PF1/4-45	3	3	3					
24	2	41851-000110	PACKING, 11.0	3	3	3					
25	1	172828-76330	CONNECTOR 1/4X1/4	1	1	1					
26	1	23391-020000	JOINT RGI1/4	3	3	3					
27	1	23393-020000	JOINT 90RGI1/4	1	1	1					
28	1	23394-020000	JOINT 45RGI1/4	1	1	1					
29	1	26013-080252	BOLT M 8X 25	3	3	3					
30	1	26013-100252	BOLT W/WASHER M10X25	2	2	2					

Fig.81. BLADE VALVE



(A)=VIO80(US)
(B)=VIO80(AS)
(C)=VIO80(NZ)

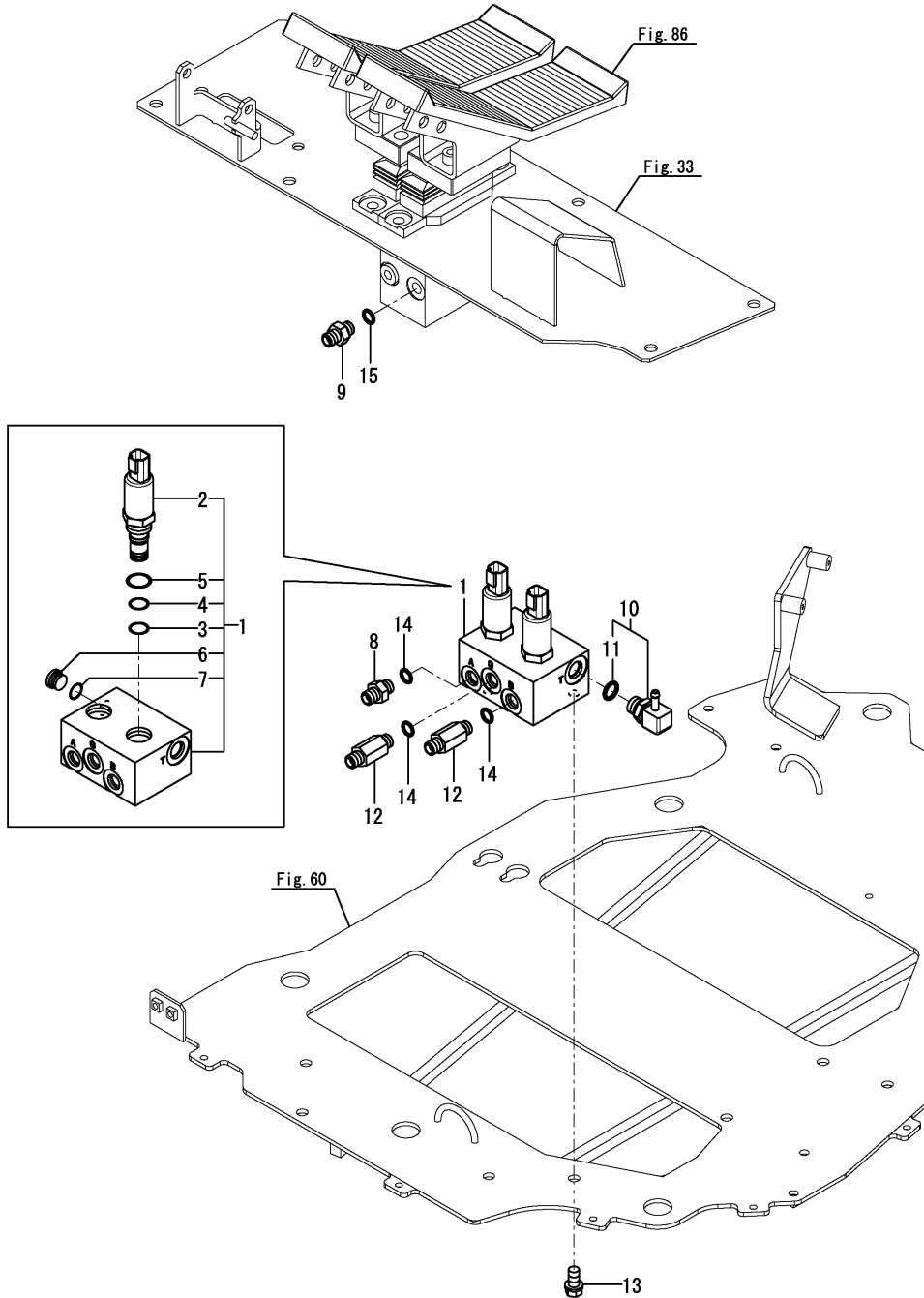
(D)=
(E)=
(F)=

REF.	LEV.	PARTS NO.	DESCRIPTION	QTY						I	R
				(A)	(B)	(C)	(D)	(E)	(F)		
1	1	172A69-74310	STAY ASSY,BLD VALVE	1	1	1					
2	1	172A69-74670	VALVE ASSY	1	1	1					
3	2	172A69-74680	SPRING	2	2	2					
4	2	172A47-74710	COVER	1	1	1					
5	2	172A47-74720	PLUG	2	2	2					
6	2	172A47-74730	PACKING	2	2	2					
7	2	172A47-74740	O-RING	2	2	2					
8	2	172A47-74750	ROD,PUSH	2	2	2					
9	2	172A47-74760	SHIM	2	2	2					
10	2	172A47-74770	RO PLUG	1	1	1					
11	2	172A47-74780	O-RING	1	1	1					
12	2	172A47-74790	SCREW,HEX.S.H.C	2	2	2					
13	2	172A47-74800	SEAT,SPRING	2	2	2					
14	2	172A47-74810	WASHER	2	2	2					
15	2	172A47-74820	SPRING	2	2	2					
16	2	172A47-74840	CAM SHAFT	1	1	1					
17	2	172A47-74850	BUSH	2	2	2					
18	2	172A47-74860	CAM	1	1	1					
19	2	172A47-74870	BALL,STEEL	2	2	2					
20	2	172A47-74880	SET SCREW	1	1	1					
21	2	172A47-74890	BELLOWS	1	1	1					
22	1	172173-76102	CONNECTOR PF1/4-45	2	2	2					
23	2	41851-000110	PACKING, 11.0	2	2	2					
24	1	172123-76121	JOINT PF1/4	1	1	1					
25	1	172141-76181	CONNECTOR ASSY, 02FF	1	1	1					
26	2	41851-000110	PACKING, 11.0	1	1	1					
27	1	26013-100252	BOLT W/WASHER M10X25	2	2	2					
28	1	26013-100252	BOLT W/WASHER M10X25	2	2	2					
29	1	41851-000110	PACKING, 11.0	1	1	1					

Fig.82. SOLENOID VALVE(P.T.O.)

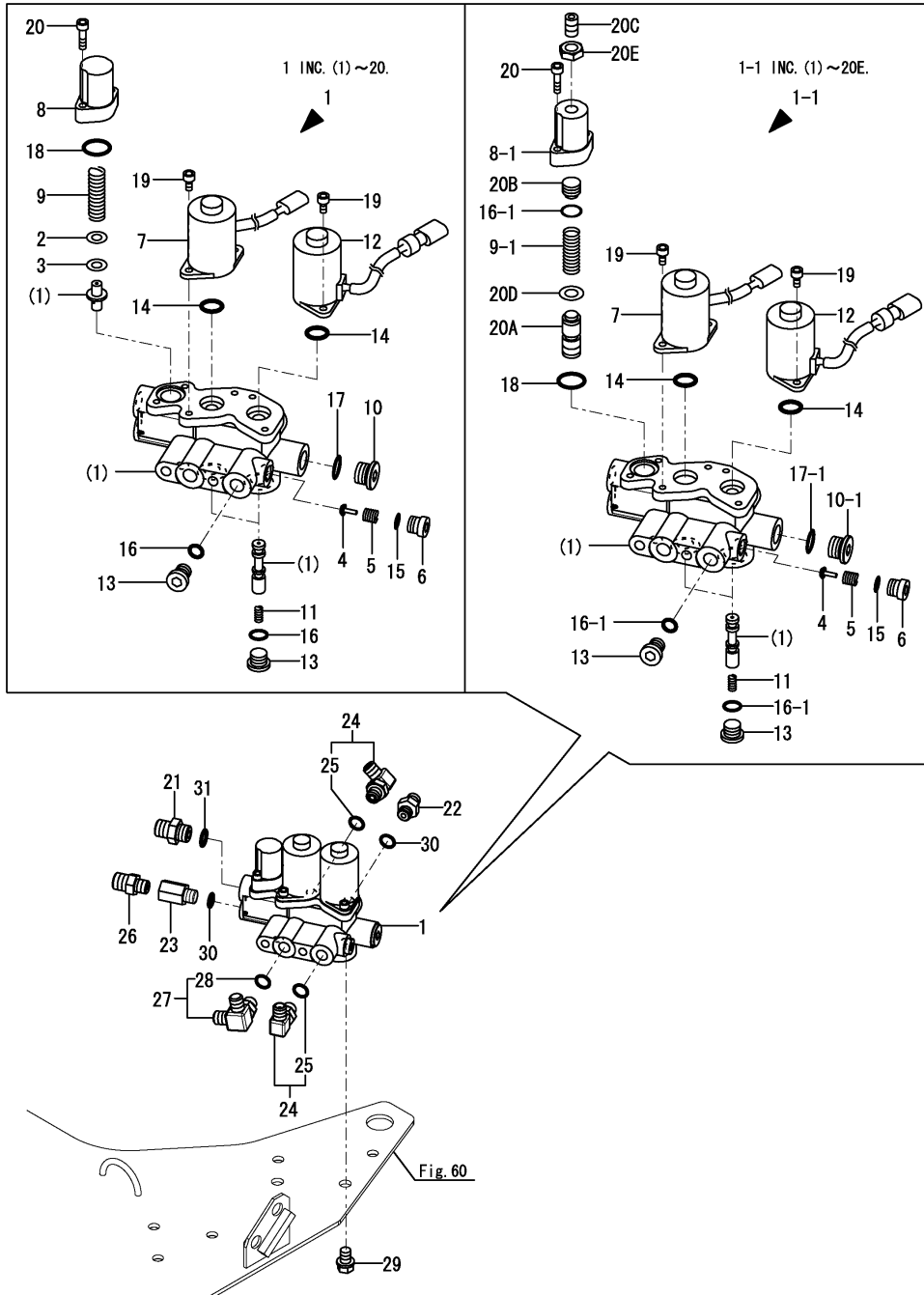
(A)=VIO80(US)
 (B)=VIO80(AS)
 (C)=VIO80(NZ)

(D)=
 (E)=
 (F)=



REF.	LEV.	PARTS NO.	DESCRIPTION	QTY						I	R
				(A)	(B)	(C)	(D)	(E)	(F)		
1	1	172837-74130	VALVE ASSY,G	1	1	1					
2	2	172837-74140	VALVE ASSY	2	2	2					
3	2	172837-74150	O-RING	2	2	2					
4	2	172837-74160	O-RING	2	2	2					
5	2	172837-74170	O-RING	2	2	2					
6	2	172142-74670	PLUG, 3/8	1	1	1					
7	2	24315-000140	O-RING 1B P-14.0	1	1	1					
8	1	172123-76121	JOINT PF1/4	1	1	1					
9	1	172123-76121	JOINT PF1/4	1	1	1					
10	1	172A47-76120	ELBOW NIPPLE 90G3/8	1	1	1					
11	2	24315-000140	O-RING 1B P-14.0	1	1	1					
12	1	172183-76200	CONNECTOR 1/4-1/4	2	2	2					
13	1	26013-100202	BOLT W/WASHER M10X20	2	2	2					
14	1	41851-000110	PACKING, 11.0	3	3	3					
15	1	41851-000110	PACKING, 11.0	1	1	1					

Fig.83. SOLENOID VALVE(PILOT)



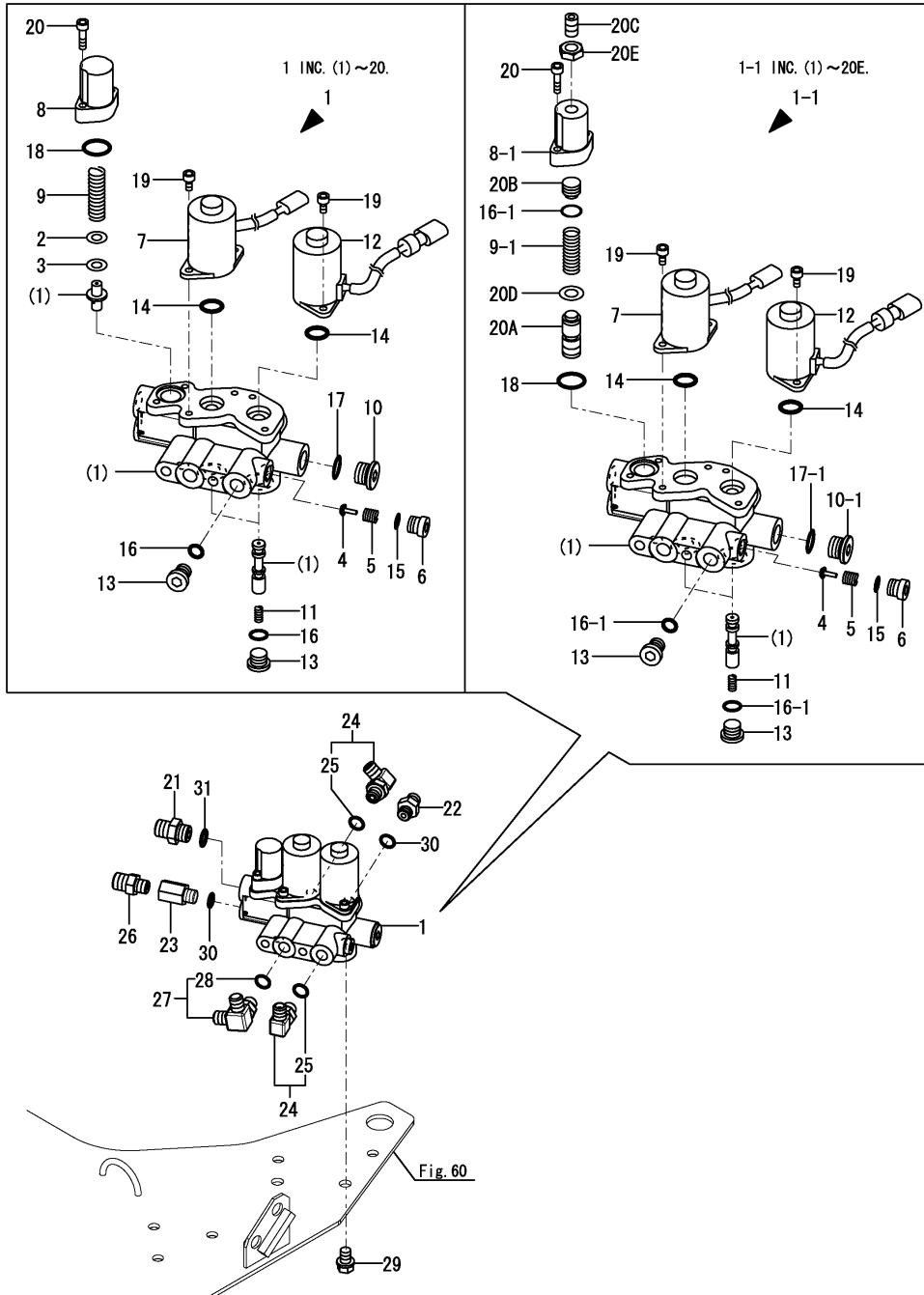
(A)=VIO80(US)
(B)=VIO80(AS)
(C)=VIO80(NZ)

(D)=
(E)=
(F)=

REF.	LEV.	PARTS NO.	DESCRIPTION	QTY						I	R
				(A)	(B)	(C)	(D)	(E)	(F)		
1	1	172A69-74410	VALVE ASSY	1	1	1					
1-1	1	172A69-74411	VALVE ASSY,SOL	1	1	1					N
		(A=MZZZZZ) (B=MZZZZZ) (C=MZZZZZ)									
2	2	172A69-74420	SHIM	1	1	1					Z
		(A=MZZZZZ) (B=MZZZZZ) (C=MZZZZZ)									
3	2	172A69-74430	SHIM	1	1	1					Z
		(A=MZZZZZ) (B=MZZZZZ) (C=MZZZZZ)									
4	2	172A69-74440	PLUNGER	1	1	1					
5	2	172A69-74450	SPRING	1	1	1					
6	2	172A69-74460	PLUG	1	1	1					
7	2	172A69-74470	VALVE, SOLENOID	1	1	1					
8	2	172A69-74490	COVER	1	1	1					
8-1	2	172A69-74980	COVER	1	1	1					S
		(A=MZZZZZ) (B=MZZZZZ) (C=MZZZZZ)									
9	2	172A69-74500	SPRING	1	1	1					
9-1	2	172A69-74540	SPRING	1	1	1					S
		(A=MZZZZZ) (B=MZZZZZ) (C=MZZZZZ)									
10	2	172A69-74510	PLUG	1	1	1					
10-1	2	172A69-74520	PLUG, PF1/2	1	1	1					S
		(A=MZZZZZ) (B=MZZZZZ) (C=MZZZZZ)									
11	2	172A46-74710	SPRING	2	2	2					
12	2	172A46-74720	VALVE, SOLENOID	1	1	1					
13	2	172A46-74730	PLUG	3	3	3					
14	2	24311-000160	O-RING	2	2	2					
15	2	24315-000100	O-RING	1	1	1					
16	2	24315-000110	O-RING	3	3	3					
16-1	2	24315-000110	O-RING	4	4	4					K
		(A=MZZZZZ) (B=MZZZZZ) (C=MZZZZZ)									
17	2	24315-000140	O-RING	1	1	1					
17-1	2	24315-000180	O-RING	1	1	1					S
		(A=MZZZZZ) (B=MZZZZZ) (C=MZZZZZ)									
18	2	24315-000200	O-RING	1	1	1					
19	2	26450-050122	BOLT	4	4	4					
20	2	26450-050202	BOLT	2	2	2					
20A	2	172A69-74960	PLUNGER	1	1	1					W
		(A=MZZZZZ) (B=MZZZZZ) (C=MZZZZZ)									
20B	2	172A69-74970	PLUG	1	1	1					W
		(A=MZZZZZ) (B=MZZZZZ) (C=MZZZZZ)									
20C	2	172A69-74990	SCREW, ADJUSTING	1	1	1					W
		(A=MZZZZZ) (B=MZZZZZ) (C=MZZZZZ)									
20D	2	22117-080000	WASHER	1	1	1					W
		(A=MZZZZZ) (B=MZZZZZ) (C=MZZZZZ)									
20E	2	26736-100002	NUT	1	1	1					W
		(A=MZZZZZ) (B=MZZZZZ) (C=MZZZZZ)									
21	1	172730-75141	ADAPTER	1	1	1					
22	1	172123-76121	ADAPTER	1	1	1					
23	1	172422-76140	CONNECTOR	1	1	1					
24	1	172141-76181	CONNECTOR ASSY	2	2	2					
25	2	41851-000110	O-RING	2	2	2					
26	1	172638-76190	CONNECTOR	1	1	1					
27	1	172491-76330	ELBOW, ADJUSTABLE	1	1	1					

N:Old $\begin{matrix} \leftarrow \text{Yes} \\ \text{No} \end{matrix}$ New, Q:Old $\begin{matrix} \leftarrow \text{No} \\ \text{Yes} \end{matrix}$ New, R:Old $\begin{matrix} \leftarrow \text{Yes} \\ \text{Yes} \end{matrix}$ New, S:Old $\begin{matrix} \leftarrow \text{No} \\ \text{No} \end{matrix}$ New, W:Add, Z:Discontinued, F:Interchangeable by set, K:Q'ty Change
 ++ CONTINUE ++
 (C)Copyrights YANMAR CO.,LTD.

Fig.83. SOLENOID VALVE(PILOT)

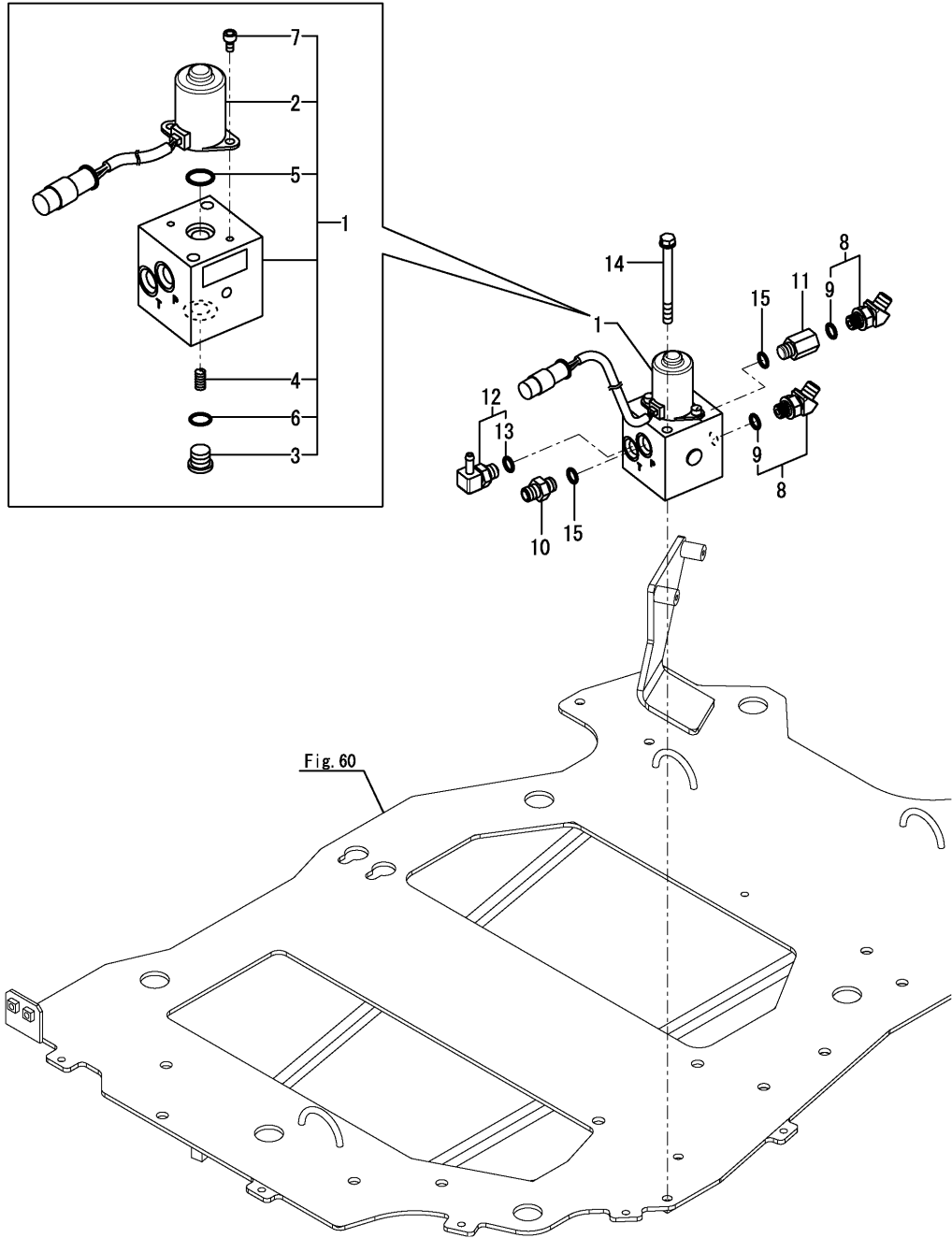


(A)=VIO80(US)
 (B)=VIO80(AS)
 (C)=VIO80(NZ)

(D)=
 (E)=
 (F)=

REF.	LEV.	PARTS NO.	DESCRIPTION	QTY						I	R
				(A)	(B)	(C)	(D)	(E)	(F)		
28	2	24315-000110	O-RING	1	1	1					
29	1	26013-100162	BOLT	2	2	2					
30	1	41851-000110	O-RING	2	2	2					
31	1	41851-000140	O-RING	1	1	1					

Fig.84. SOLENOID VALVE(QUICK COUPLER)



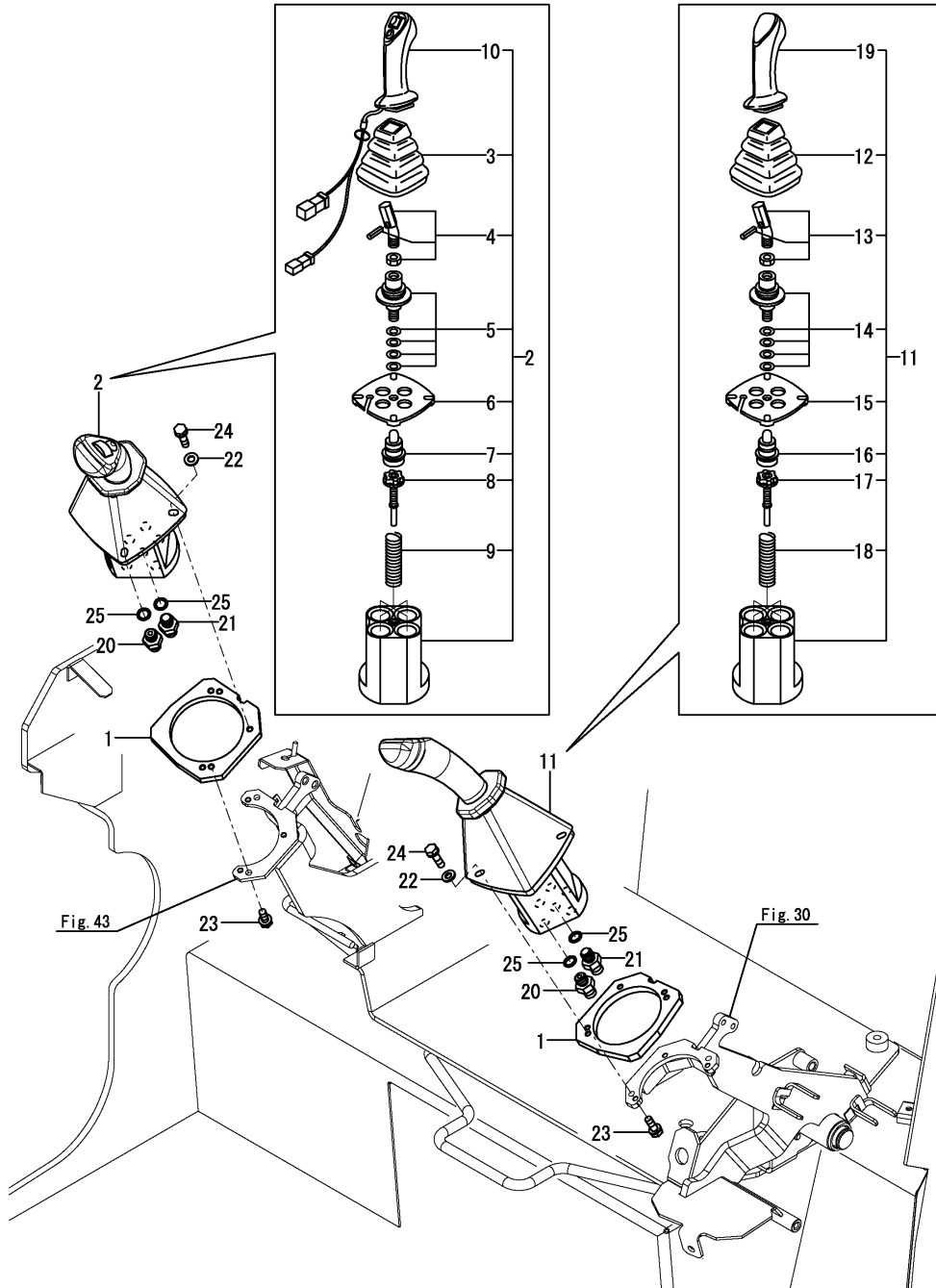
OCS10-G55700 84. SOLENOID VALVE(QUICK COUPLER)

(A)=VIO80(US)
(B)=VIO80(AS)
(C)=VIO80(NZ)

(D)=
(E)=
(F)=

REF.	LEV.	PARTS NO.	DESCRIPTION	QTY						I	R
				(A)	(B)	(C)	(D)	(E)	(F)		
1	1	172A69-74550	VALVE ASSY,Q	1	1	1					
2	2	172A69-74560	SOLENOID	1	1	1					
3	2	172A69-74590	PLUG G1/4	1	1	1					
4	2	172A46-74710	SPRING,COMPLESSI	1	1	1					
5	2	24311-000160	O-RING 1A P-16.0	1	1	1					
6	2	24315-000110	O-RING 1B P-11.0	1	1	1					
7	2	26450-050102	BOLT, M5X10	2	2	2					
8	1	172173-76102	CONNECTOR PF1/4-45	2	2	2					
9	2	41851-000110	PACKING, 11.0	2	2	2					
10	1	172123-76121	JOINT PF1/4	1	1	1					
11	1	172422-76140	CONNECTOR	1	1	1					
12	1	172186-76430	NIPPLE	1	1	1					
13	2	24315-000110	O-RING 1B P-11.0	1	1	1					
14	1	26013-080902	BOLT	2	2	2					
15	1	41851-000110	PACKING, 11.0	2	2	2					

Fig.85. REMOTE CONTROL VALVE(OPERATION)



(A)=VIO80(US)

(B)=VIO80(AS)

(C)=VIO80(NZ)

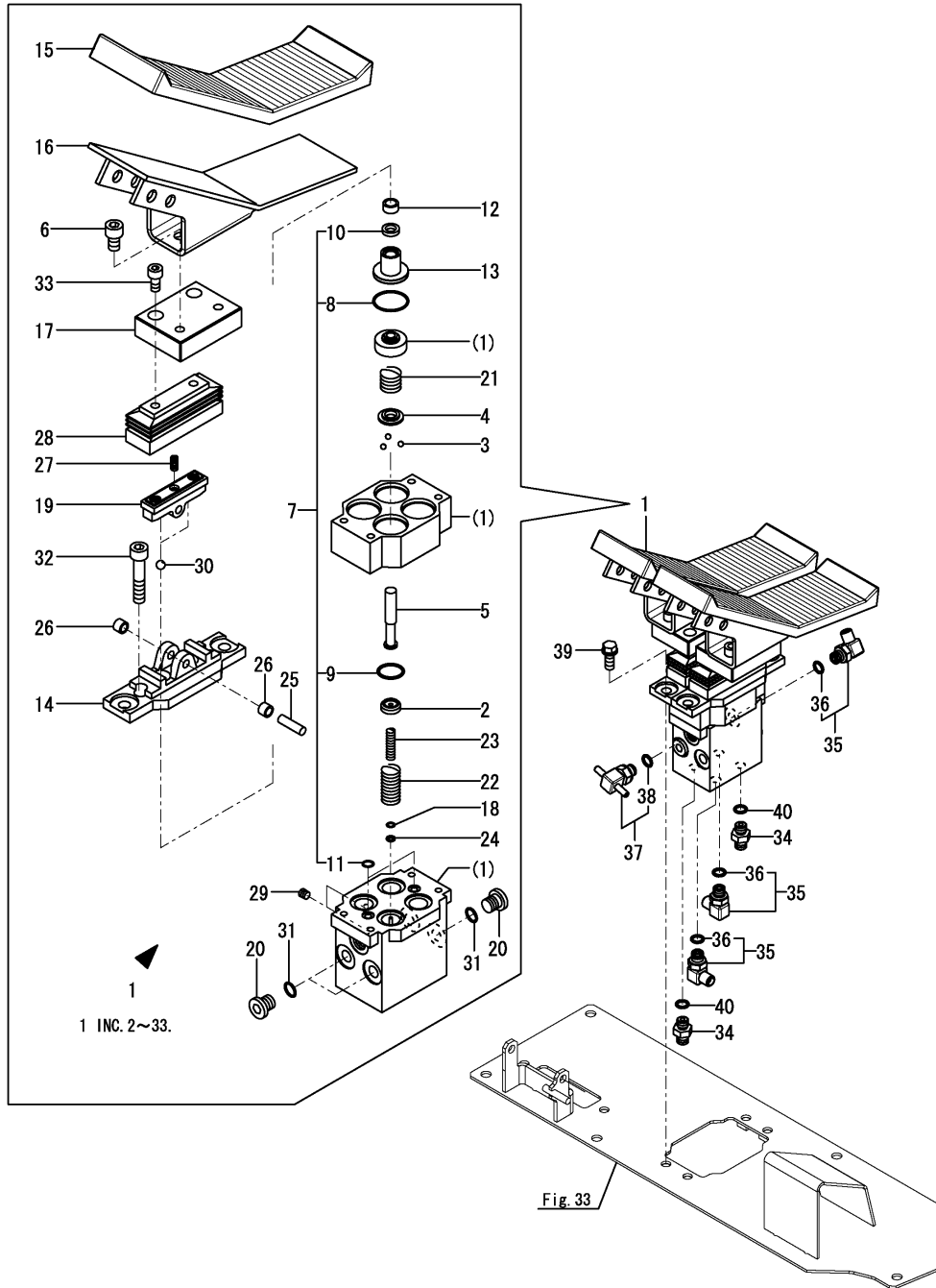
(D)=

(E)=

(F)=

REF.	LEV.	PARTS NO.	DESCRIPTION	QTY						I	R
				(A)	(B)	(C)	(D)	(E)	(F)		
1	1	172A78-64510	SPACER, VALVE	2	2	2					
2	1	172A69-74850	VALVE ASSY,R	1	1	1					
3	2	172441-74030	BELLOWS	1	1	1					
4	2	172441-74040	COMMAND KIT	1	1	1					
5	2	172463-74530	CARDAN KIT	1	1	1					
6	2	172463-74540	RETAINING PLATE	1	1	1					
7	2	172463-74551	PLUNGER KIT	1	1	1					
8	2	172463-74561	REGULATION KIT	4	4	4					
9	2	172463-74570	SPRING KIT	1	1	1					
10	2	172A69-74860	HANDLE ASSY	1	1	1					
11	1	172A69-74900	VALVE ASSY,L	1	1	1					
12	2	172441-74030	BELLOWS	1	1	1					
13	2	172441-74040	COMMAND KIT	1	1	1					
14	2	172463-74530	CARDAN KIT	1	1	1					
15	2	172463-74540	RETAINING PLATE	1	1	1					
16	2	172463-74551	PLUNGER KIT	1	1	1					
17	2	172463-74561	REGULATION KIT	4	4	4					
18	2	172463-74570	SPRING KIT	1	1	1					
19	2	172A69-74910	HANDLE	1	1	1					
20	1	172123-76121	JOINT PF1/4	10	10	10					
21	1	172455-76220	CONNECTOR PF1/4	2	2	2					
22	1	22137-060000	WASHER 6, POLISHED	6	6	6					
23	1	26014-060162	BOLT M 6X 16	4	4	4					
24	1	26014-060162	BOLT M 6X 16	6	6	6					
25	1	41851-000110	PACKING, 11.0	12	12	12					

Fig.86. REMOTE CONTROL VALVE(TRAVEL)



(A)=VIO80(US)

(B)=VIO80(AS)

(C)=VIO80(NZ)

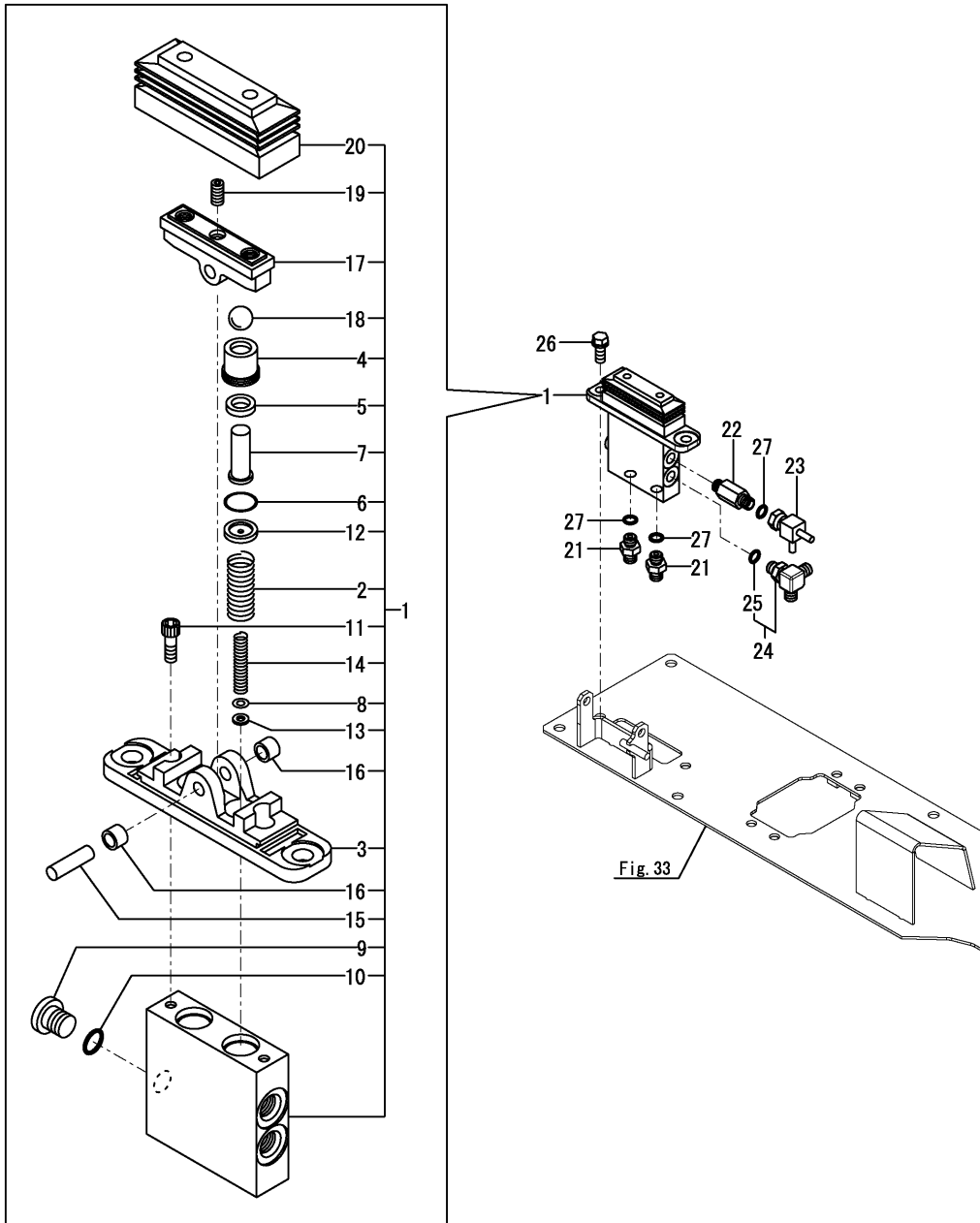
(D)=

(E)=

(F)=

REF.	LEV.	PARTS NO.	DESCRIPTION	QTY						I	R
				(A)	(B)	(C)	(D)	(E)	(F)		
1	1	172A89-74700	VALVE ASSY,TRAVEL	1	1	1					
2	2	172A69-71300	SEAT,SPRING	4	4	4					
3	2	172A69-71310	BALL,STEEL	12	12	12					
4	2	172A69-71320	SEAT,SPRING	4	4	4					
5	2	172A89-74710	ROD,PUSH	4	4	4					
6	2	172A69-71340	BOLT 10X16	4	4	4					
7	2	172A69-71350	SEAL KIT SUB	1	1	1					
8	3	172A69-71360	O-RING	4	4	4					
9	3	172A69-71370	O-RING	4	4	4					
10	3	172A47-74730	PACKING	4	4	4					
11	3	24315-000080	O-RING 1B P-8.0	2	2	2					
12	2	172A69-71380	GREASE CAP	4	4	4					
13	2	172A69-71390	PLUG	4	4	4					
14	2	172A69-71400	COVER	2	2	2					
15	2	172A69-74730	COVER,PEDAL	2	2	2					
16	2	172A69-74740	PEDAL	2	2	2					
17	2	172A69-74750	BLOCK	2	2	2					
18	2	172A47-74760	SHIM	4	4	4					
19	2	172A89-74730	CAM	2	2	2					
20	2	172A47-74770	RO PLUG	3	3	3					
21	2	172A69-74770	SPRING	4	4	4					
22	2	172A69-74780	SPRING	4	4	4					
23	2	172A89-74720	SPRING	4	4	4					
24	2	172A47-74810	WASHER	4	4	4					
25	2	172A47-74840	CAM SHAFT	2	2	2					
26	2	172A47-74850	BUSH	4	4	4					
27	2	172A47-74880	SET SCREW	2	2	2					
28	2	172A47-74890	BELLOWS	2	2	2					
29	2	172455-77150	PLUG	2	2	2					
30	2	24190-100001	BALL 5/16, STEEL	4	4	4					
31	2	24315-000110	O-RING 1B P-11.0	3	3	3					
32	2	26450-060502	BOLT M 6X 50	4	4	4					
33	2	26450-080162	BOLT, M8X16	4	4	4					
34	1	172123-76121	JOINT PF1/4	2	2	2					
35	1	172141-76181	CONNECTOR ASSY, 02FF	3	3	3					
36	2	41851-000110	PACKING, 11.0	3	3	3					
37	1	172A47-76230	NIPPLE G1/4	1	1	1					
38	2	41851-000110	PACKING, 11.0	1	1	1					
39	1	26013-100252	BOLT W/WASHER M10X25	4	4	4					
40	1	41851-000110	PACKING, 11.0	2	2	2					

Fig.87. REMOTE CONTROL VALVE(SWING)



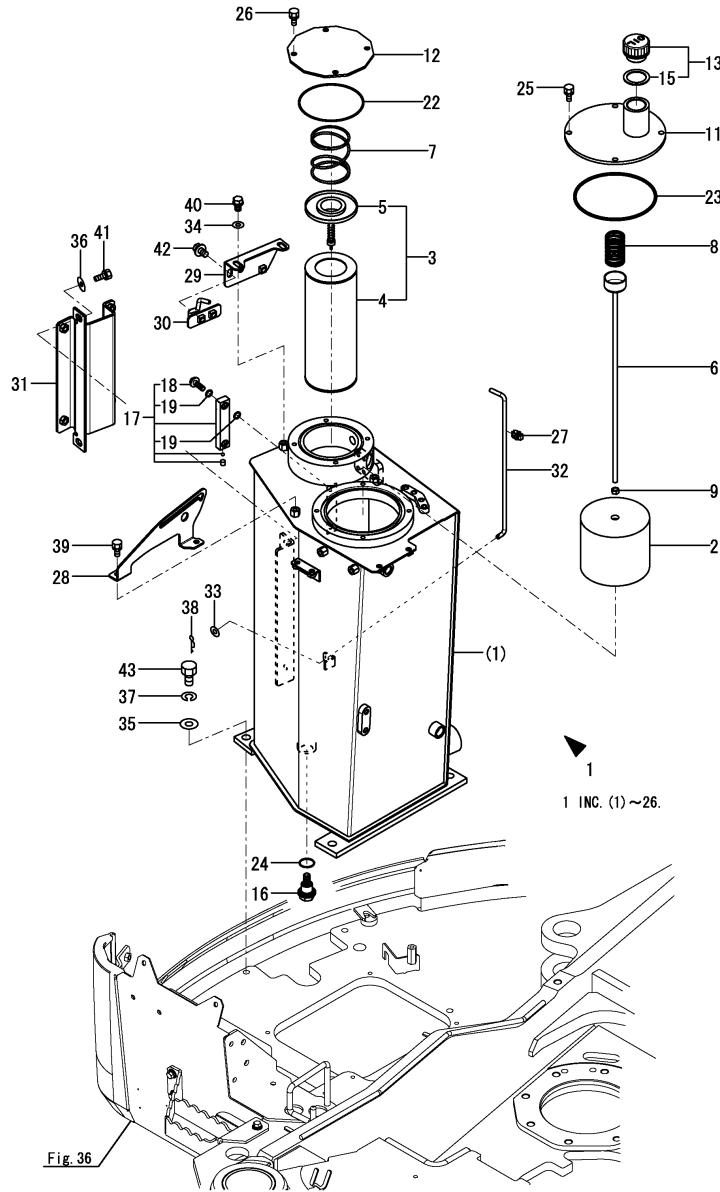
OCS10-G55700 87. REMOTE CONTROL VALVE(SWING)

(A)=VIO80(US)
(B)=VIO80(AS)
(C)=VIO80(NZ)

(D)=
(E)=
(F)=

REF.	LEV.	PARTS NO.	DESCRIPTION	QTY						I	R
				(A)	(B)	(C)	(D)	(E)	(F)		
1	1	172A69-74670	VALVE ASSY	1	1	1					
2	2	172A69-74680	SPRING	2	2	2					
3	2	172A47-74710	COVER	1	1	1					
4	2	172A47-74720	PLUG	2	2	2					
5	2	172A47-74730	PACKING	2	2	2					
6	2	172A47-74740	O-RING	2	2	2					
7	2	172A47-74750	ROD,PUSH	2	2	2					
8	2	172A47-74760	SHIM	2	2	2					
9	2	172A47-74770	RO PLUG	1	1	1					
10	2	172A47-74780	O-RING	1	1	1					
11	2	172A47-74790	SCREW,HEX,S.H.C	2	2	2					
12	2	172A47-74800	SEAT,SPRING	2	2	2					
13	2	172A47-74810	WASHER	2	2	2					
14	2	172A47-74820	SPRING	2	2	2					
15	2	172A47-74840	CAM SHAFT	1	1	1					
16	2	172A47-74850	BUSH	2	2	2					
17	2	172A47-74860	CAM	1	1	1					
18	2	172A47-74870	BALL,STEEL	2	2	2					
19	2	172A47-74880	SET SCREW	1	1	1					
20	2	172A47-74890	BELLOWS	1	1	1					
21	1	172123-76121	JOINT PF1/4	2	2	2					
22	1	172183-76200	CONNECTOR 1/4-1/4	1	1	1					
23	1	172A47-76320	NIPPLE FEMALE G1/4	1	1	1					
24	1	172491-76330	ADJUSTABLE ELBOW 1/4	1	1	1					
25	2	24315-000110	O-RING 1B P-11.0	1	1	1					
26	1	26013-100252	BOLT W/WASHER M10X25	2	2	2					
27	1	41851-000110	PACKING, 11.0	3	3	3					

Fig.88. HYD.OIL TANK



(A)=VIO80(US)
(B)=VIO80(AS)
(C)=VIO80(NZ)

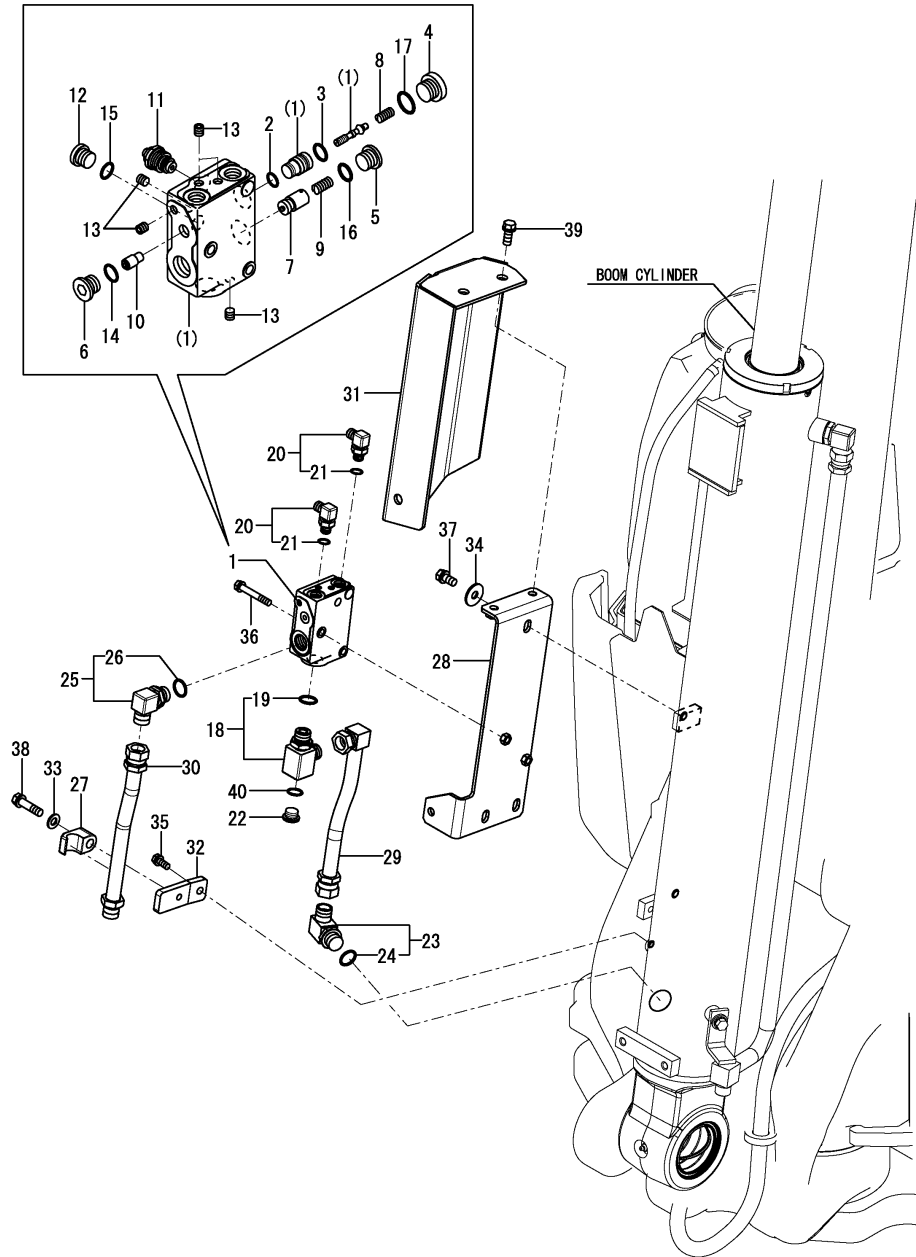
(D)=
(E)=
(F)=

REF.	LEV.	PARTS NO.	DESCRIPTION	QTY						I	R
				(A)	(B)	(C)	(D)	(E)	(F)		
1	1	772A69-75100	RESERVOIR ASSY	1	1	1					
2	2	172162-73700	STRAINER,SUCTION	1	1	1					
3	2	172187-73700	FILTER ASSY, RETURN	1	1	1					
4	3	172187-73730	ELEMENT	1	1	1					
5	3	172112-74971	VALVE, BY-PASS	1	1	1					
6	2	172A69-75710	ROD ASSY,FILTER	1	1	1					
7	2	172112-75770	SPRING, STRAINER	1	1	1					
8	2	172112-75780	SPRING, STRAINER	1	1	1					
9	2	26716-100002	NUT 10	1	1	1					
11	2	172A69-75240	COVER ASSY	1	1	1					
12	2	172187-75340-2	COVER (GRAY:49)	1	1	1					1
13	2	172A69-75450	CAP, RESERVER	1	1	1					
15	3	172A69-75470	PACKING	1	1	1					
16	2	172187-75500	PLUG 24	1	1	1					
17	2	172A69-75600	GAUGE, OIL LEVEL	1	1	1					
18	3	172455-75290	BOLT M10	2	2	2					
19	3	172455-75300	O-RING	4	4	4					
22	2	24321-001350	O-RING 1A G-135.0	1	1	1					
23	2	24321-001700	O-RING 1A G-170.0	1	1	1					
24	2	24341-000300	O-RING 1A S-30.0	1	1	1					
25	2	26013-100202	BOLT W/WASHER M10X20	4	4	4					
26	2	26013-100202	BOLT W/WASHER M10X20	4	4	4					
27	1	1A7400-61250	HOLDER, ROD 8	1	1	1					
28	1	172A89-62550	GUIDE,STOPPER	1	1	1					
29	1	172A89-62570	STAY ASSY	1	1	1					
30	1	172A89-62610	CATCH ASSY,LOCK	1	1	1					
31	1	172A69-65721	HINGE ASSY	1	1	1					
32	1	172A69-65780	HOOK,BONNET R	1	1	1					
33	1	22137-080000	WASHER 8, POLISHED	1	1	1					
34	1	22137-100000	WASHER 10,POLISHED	2	2	2					
35	1	22137-160000	WASHER 16,POLISHED	4	4	4					
36	1	22157-100000	WASHER 10	2	2	2					
37	1	22217-160000	SPRING WASHER 16	4	4	4					
38	1	22372-080000	SNAP PIN (JASO 8)	1	1	1					
39	1	26013-100162	BOLT M10X 16	2	2	2					
40	1	26013-100162	BOLT M10X 16	2	2	2					
41	1	26013-100252	BOLT W/WASHER M10X25	2	2	2					
42	1	26014-100202	BOLT M10X 20	2	2	2					
43	1	26116-160352	BOLT M16X 35 PLATED	4	4	4					
44A	1	172437-03322	LABEL, HYD.OIL TANK	1	1	1					2

Remarks

(1)PLEASE USE THIS PART WITH FOLLOWING LABEL AT THE SAME TIME. REF.NO.44A.
(2)LABEL IS NOT ILLUSTRATED.

Fig.89. HOLD VALVE(BOOM)



(A)=VIO80(US)
(B)=VIO80(AS)
(C)=VIO80(NZ)

(D)=
(E)=
(F)=

REF.	LEV.	PARTS NO.	DESCRIPTION	QTY						I	R
				(A)	(B)	(C)	(D)	(E)	(F)		
1	1	172A69-74650	VALVE ASSY,HOLD	1	1	1					
2	2	172A25-74420	O-RING	1	1	1					
3	2	172A25-74430	O-RING	1	1	1					
4	2	172A25-74440	PLUG	1	1	1					
5	2	172A25-74450	PLUG	1	1	1					
6	2	172A25-74460	PLUG	1	1	1					
7	2	172A25-74470	POPPET	1	1	1					
8	2	172A25-74480	SPRING	1	1	1					
9	2	172A25-74490	SPRING	1	1	1					
10	2	172A25-74501	PISTON	1	1	1					
11	2	172A69-74660	VALVE,RELIEF 33	1	1	1					
12	2	172455-77140	PLUG	1	1	1					
13	2	172455-77150	PLUG	5	5	5					
14	2	24315-000100	O-RING	1	1	1					
15	2	24315-000110	O-RING	1	1	1					
16	2	24315-000140	O-RING	1	1	1					
17	2	24315-000160	O-RING	1	1	1					
18	1	172A25-76100	CONNECTOR	1	1	1					
19	2	24315-000180	O-RING	1	1	1					
20	1	172141-76181	CONNECTOR ASSY	2	2	2					
21	2	41851-000110	O-RING	2	2	2					
22	1	172183-76180	PLUG	1	1	1					
23	1	172645-76560	CONNECTOR ASSY	1	1	1					
24	2	24315-000180	O-RING	1	1	1					
25	1	172141-76900	CONNECTOR ASSY	1	1	1					
26	2	24315-000180	O-RING	1	1	1					
27	1	172142-76950-6	CLAMP	1	1	1					
27-1	1	172142-76950-N	CLAMP	1	1	1					S
		(A=M92001) (B=M92001) (C=M92001)									
28	1	172A69-77100	BRACKET ,BOOM H (2J)	1	1	1					
28-1	1	172A69-77100-N	BRACKET ,BOOM H	1	1	1					S
		(A=M92001) (B=M92001) (C=M92001)									
29	1	172A89-77150	TUBE A ,BOOM H (2J)	1	1	1					
29-1	1	172A89-77150-N	TUBE A ,BOOM H	1	1	1					S
		(A=M92001) (B=M92001) (C=M92001)									
30	1	172A69-77180	TUBE B ,BOOM H (2J)	1	1	1					
30-1	1	172A69-77180-N	TUBE B ,BOOM H	1	1	1					S
		(A=M92001) (B=M92001) (C=M92001)									
31	1	172A69-77200	COVER,BOOM H (2J)	1	1	1					
31-1	1	172A69-77200-N	COVER,BOOM H	1	1	1					S
		(A=M92001) (B=M92001) (C=M92001)									
32	1	172A69-77240	PLATE,CLAMP H	1	1	1					
33	1	22137-100000	WASHER	1	1	1					
34	1	22157-100000	WASHER	3	3	3					
35	1	26013-080202	BOLT	1	1	1					
36	1	26013-080552	BOLT	2	2	2					
37	1	26013-100202	BOLT	3	3	3					
38	1	26013-100402	BOLT	1	1	1					
39	1	26014-100252	BOLT	3	3	3					
40	1	41851-000140	O-RING	1	1	1					

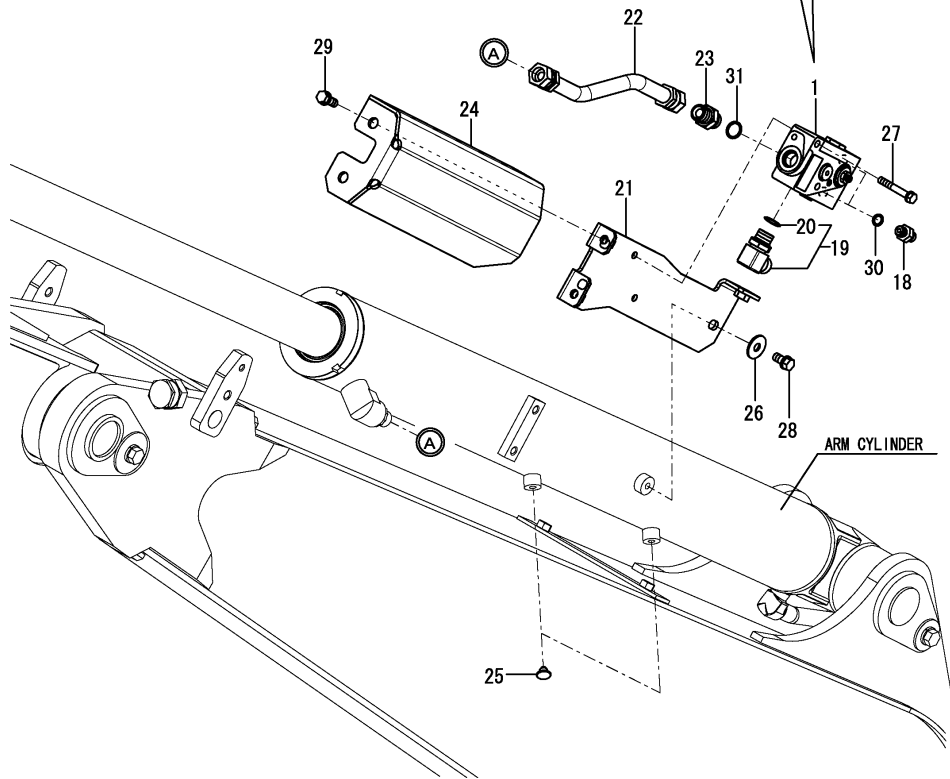
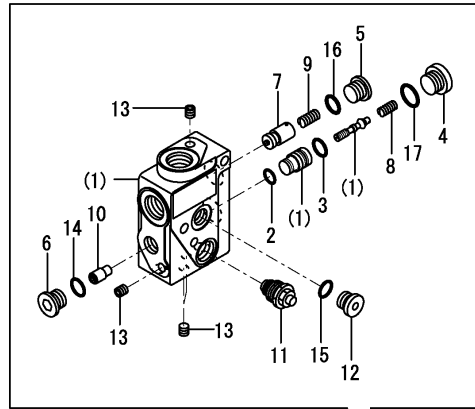
Remarks

* Hold valve kit is shown in Fig.118.

Fig.90. HOLD VALVE(ARM)

(A)=VIO80(US)
 (B)=VIO80(AS)
 (C)=VIO80(NZ)

(D)=
 (E)=
 (F)=

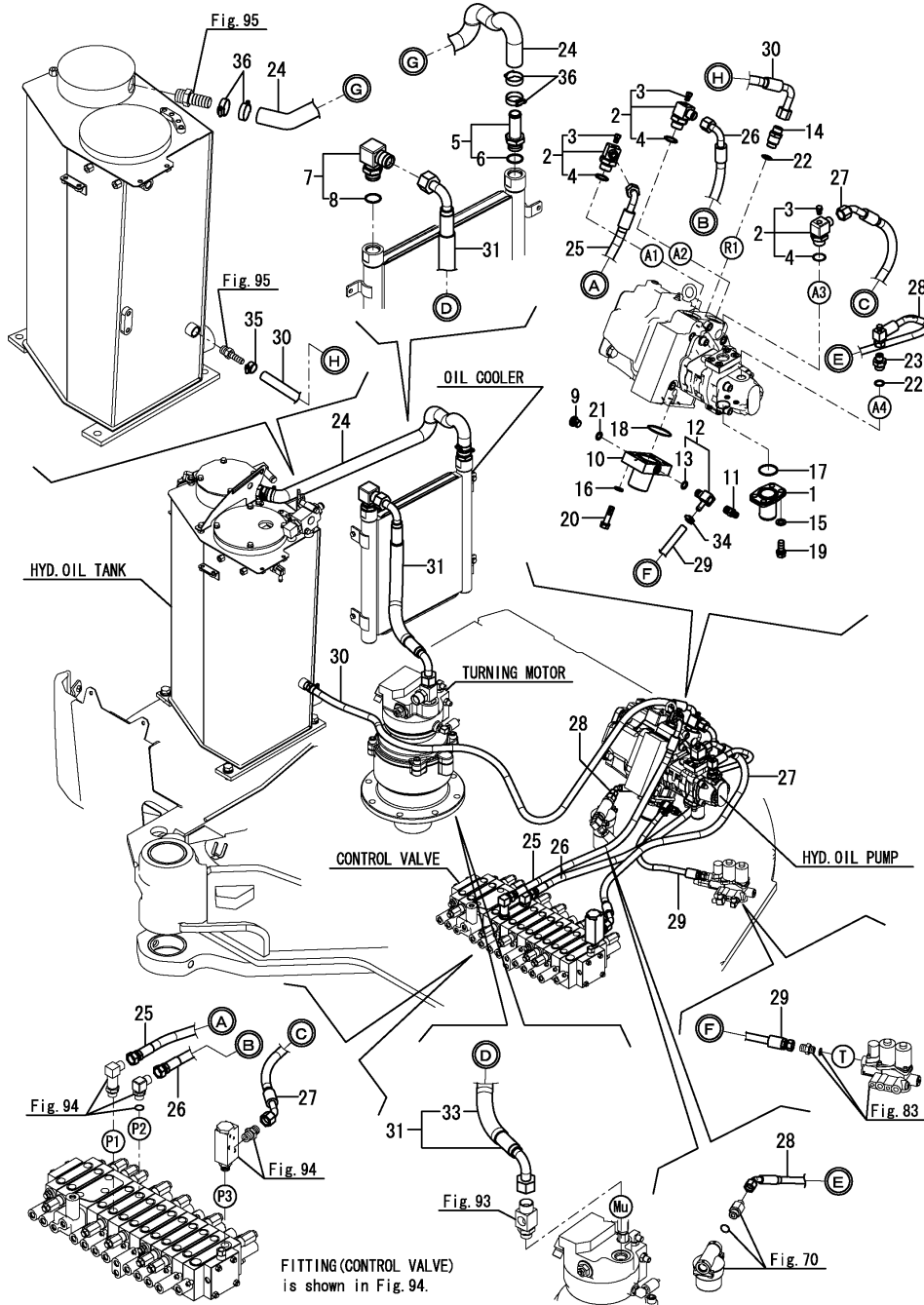


REF.	LEV.	PARTS NO.	DESCRIPTION	QTY						I	R
				(A)	(B)	(C)	(D)	(E)	(F)		
1	1	172A69-74650	VALVE ASSY,HOLD	1	1	1					
2	2	172A25-74420	O-RING	1	1	1					
3	2	172A25-74430	O-RING	1	1	1					
4	2	172A25-74440	PLUG	1	1	1					
5	2	172A25-74450	PLUG	1	1	1					
6	2	172A25-74460	PLUG	1	1	1					
7	2	172A25-74470	POPPET	1	1	1					
8	2	172A25-74480	SPRING	1	1	1					
9	2	172A25-74490	SPRING	1	1	1					
10	2	172A25-74501	PISTON	1	1	1					
11	2	172A69-74660	VALVE,RELIEF 33	1	1	1					
12	2	172455-77140	PLUG	1	1	1					
13	2	172455-77150	PLUG	5	5	5					
14	2	24315-000100	O-RING	1	1	1					
15	2	24315-000110	O-RING	1	1	1					
16	2	24315-000140	O-RING	1	1	1					
17	2	24315-000160	O-RING	1	1	1					
18	1	172123-76121	ADAPTER	2	2	2					
19	1	172141-76900	CONNECTOR ASSY	1	1	1					
20	2	24315-000180	O-RING	1	1	1					
21	1	172A69-77300	BRACKET ,ARM H (2J)	1	1	1					
21-1	1	172A69-77300-N	BRACKET ,ARM H	1	1	1					S
		(A=M92001) (B=M92001) (C=M92001)									
22	1	172A69-77350	TUBE ASSY,ARM H	1	1	1					
22-1	1	172A69-77350-N	TUBE ASSY,ARM H	1	1	1					S
		(A=M92001) (B=M92001) (C=M92001)									
23	1	172112-77361	CONNECTOR	1	1	1					
24	1	172A69-77400	COVER,ARM H (2J)	1	1	1					
24-1	1	172A69-77400-N	COVER,ARM H	1	1	1					S
		(A=M92001) (B=M92001) (C=M92001)									
25	1	172183-81160	CLIP, TREE	2	2	2					
26	1	22157-100000	WASHER	3	3	3					
27	1	26013-080552	BOLT	2	2	2					
28	1	26013-100202	BOLT	3	3	3					
29	1	26014-100252	BOLT	3	3	3					
30	1	41851-000110	O-RING	2	2	2					
31	1	41851-000180	O-RING	1	1	1					

Remarks

* Hold valve kit is shown in Fig.118.

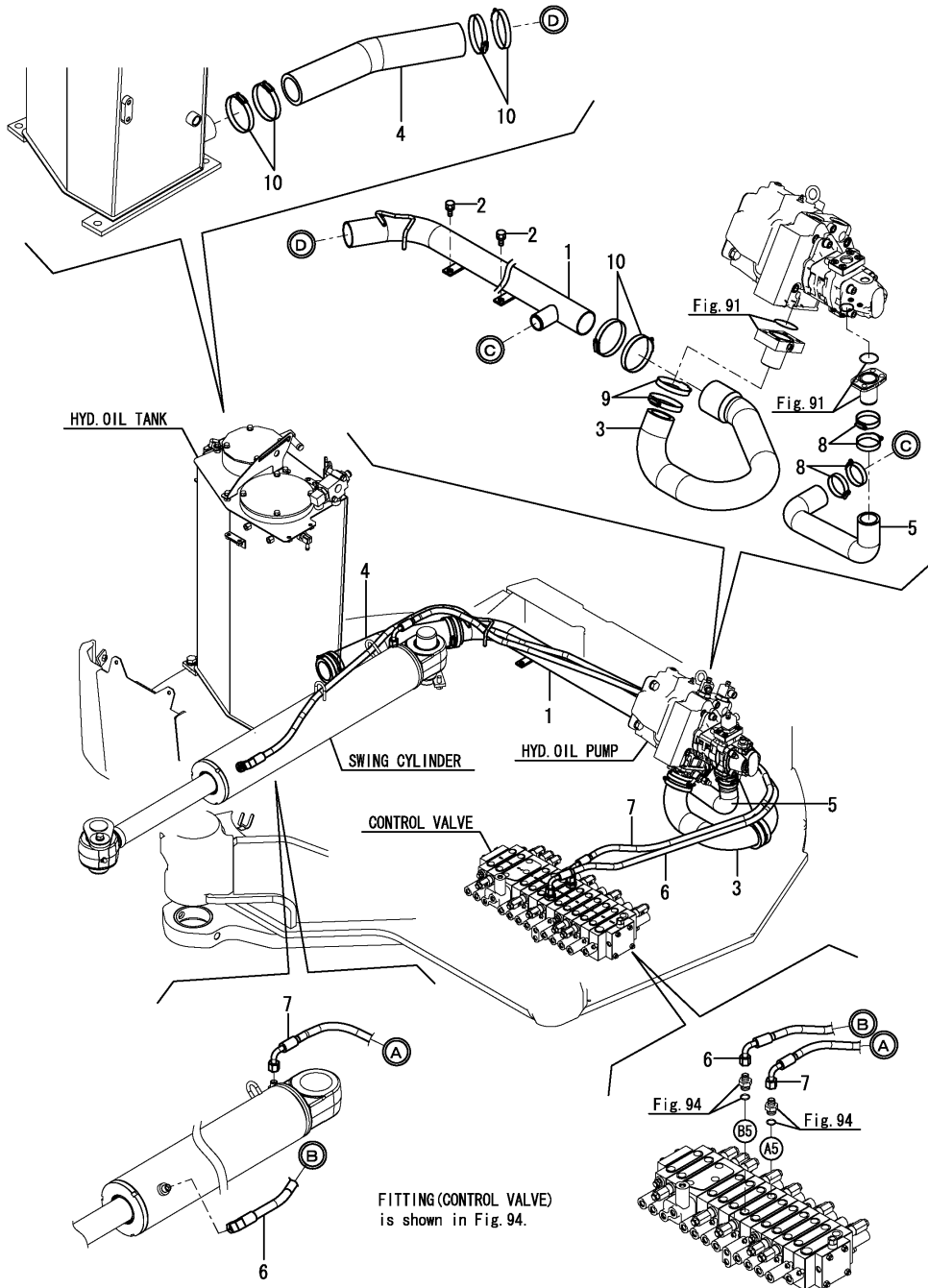
Fig.91. HYD.OIL PIPING(PUMP - CONTROL VALVE - OIL COOLER)



(A)=VIO80(US) (D)=
 (B)=VIO80(AS) (E)=
 (C)=VIO80(NZ) (F)=

REF.	LEV.	PARTS NO.	DESCRIPTION	QTY						I	R
				(A)	(B)	(C)	(D)	(E)	(F)		
1	1	172422-76100	FLANGE	1	1	1					
2	1	172A89-76110	ELBOW ASSY	3	3	3					
3	2	172A89-76120	PLUG, SCREW PT1/8	3	3	3					
4	2	41851-000240	PACKING, 24.0	3	3	3					
5	1	172A69-76120	NIPPLE,G1	1	1	1					
6	2	172A65-76790	PACKING,29.0	1	1	1					
7	1	172A89-76130	90 ELBOW G1	1	1	1					
8	2	24315-000290	O-RING 1B P-29.0	1	1	1					
9	1	172499-76160	PLUG G1/4	1	1	1					
10	1	172A69-76160	FLANGE ASSY	1	1	1					
11	1	172312-76190	NIPPLE 3/8X1/4	1	1	1					
12	1	172A69-76190	ELBOW G3/8	1	1	1					
13	2	41851-000140	O RING P 14.0 HNBR	1	1	1					
14	1	172147-76271	CONNECTOR	1	1	1					
15	1	22117-100000	WASHER 10	4	4	4					
16	1	22117-120000	WASHER 12	4	4	4					
17	1	24325-000400	O-RING, 1B G 40.0	1	1	1					
18	1	24325-000550	O-RING 1B G-55.0	1	1	1					
19	1	26013-100302	BOLT M10X 30	4	4	4					
20	1	26013-120302	BOLT W/WASHER M12X30	4	4	4					
21	1	41851-000110	PACKING, 11.0	1	1	1					
22	1	41851-000180	O RING	2	2	2					
23	1	933160-01370	CONNECTOR PF1/2-3/8	1	1	1					
24	1	172A89-78130	HOSE 25.4	1	1	1					
25	1	172A89-78150	HOSE H108BC092S	1	1	1					
26	1	172A89-78160	HOSE H108BC095S	1	1	1					
27	1	172A89-78170	HOSE H108EE100S	1	1	1					
28	1	172A89-78180	HOSE H604EZ068	1	1	1					
29	1	172A89-78200	HOSE G806BY039S	1	1	1					
30	1	172A89-78210	HOSE G608CY165S	1	1	1					
31	1	172A89-78240	HOSE G616CC060	1	1	1					
33	2	172499-78591	INSURATOR,HOSE	1	1	1					
34	1	23001-016000	HOSE CLAMP 16	1	1	1					
35	1	23001-022000	HOSE CLAMP 22	1	1	1					
36	1	23001-041000	CLIP 41,HOSE	4	4	4					

Fig.92. HYD.OIL PIPING(TANK - PUMP, SWING CYLINDER)



(A)=VIO80(US)

(B)=VIO80(AS)

(C)=VIO80(NZ)

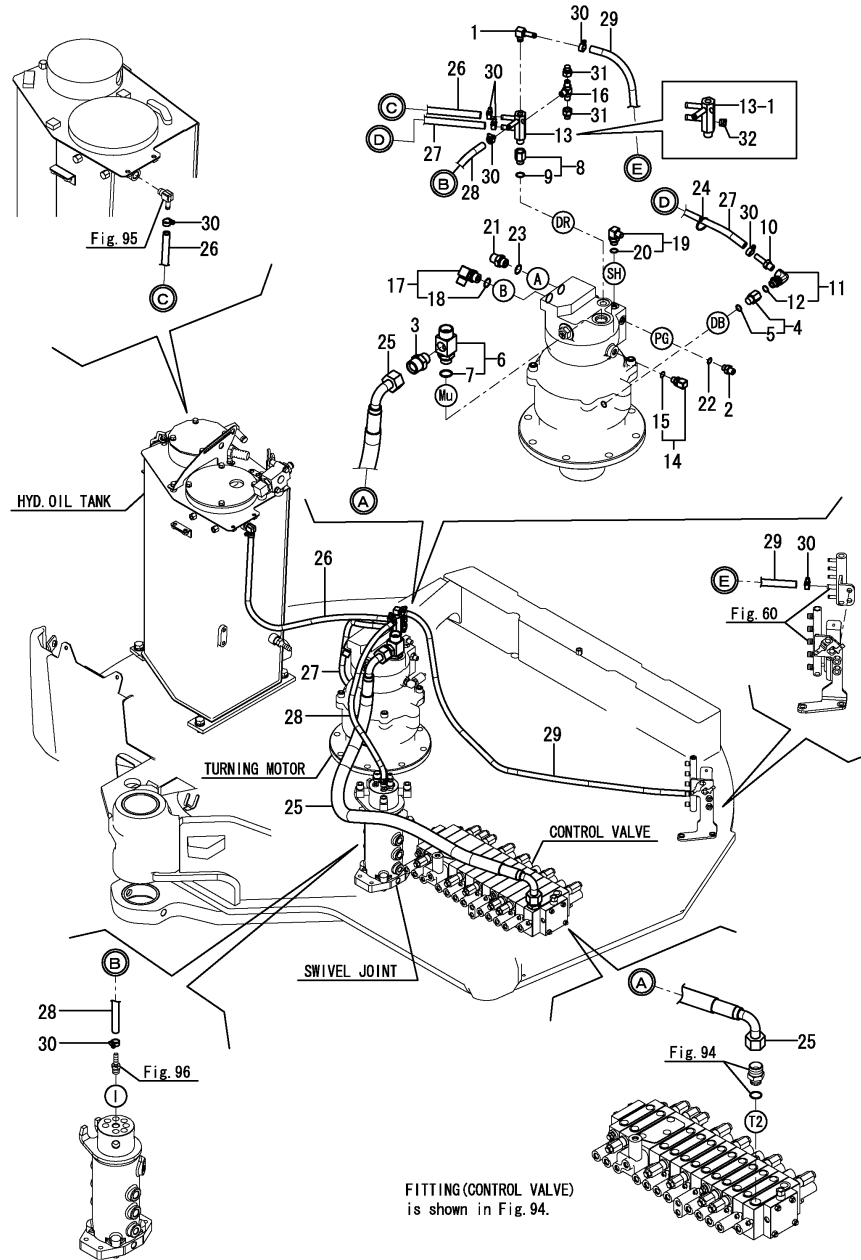
(D)=

(E)=

(F)=

REF.	LEV.	PARTS NO.	DESCRIPTION	QTY						I	R
				(A)	(B)	(C)	(D)	(E)	(F)		
1	1	172A89-76470	TUBU ASSY,SUCTION	1	1	1					
2	1	26013-100202	BOLT W/WASHER M10X20	2	2	2					
3	1	172A69-78081	HOSE ASSY,59 A	1	1	1					
4	1	172A69-78110	HOSE,59 B	1	1	1					
5	1	172A69-78120	HOSE 39.5	1	1	1					
6	1	172A89-78380	HOSE H106BV332S	1	1	1					
7	1	172A89-78390	HOSE H106CC237S	1	1	1					
8	1	23001-054000	CLAMP, HOSE 54	4	4	4					
9	1	23001-080000	HOSE CLIP	2	2	2					
10	1	23001-090000	HOSE CLAMP 90	6	6	6					

Fig.93. HYD.OIL PIPING(CONTROL VALVE - TURNING MOTOR)



FITTING (CONTROL VALVE)
is shown in Fig. 94.

Remarks

(1) Interchangeable by simultaneous replacement with Ref.No.32.

(A)=VIO80(US)

(B)=VIO80(AS)

(C)=VIO80(NZ)

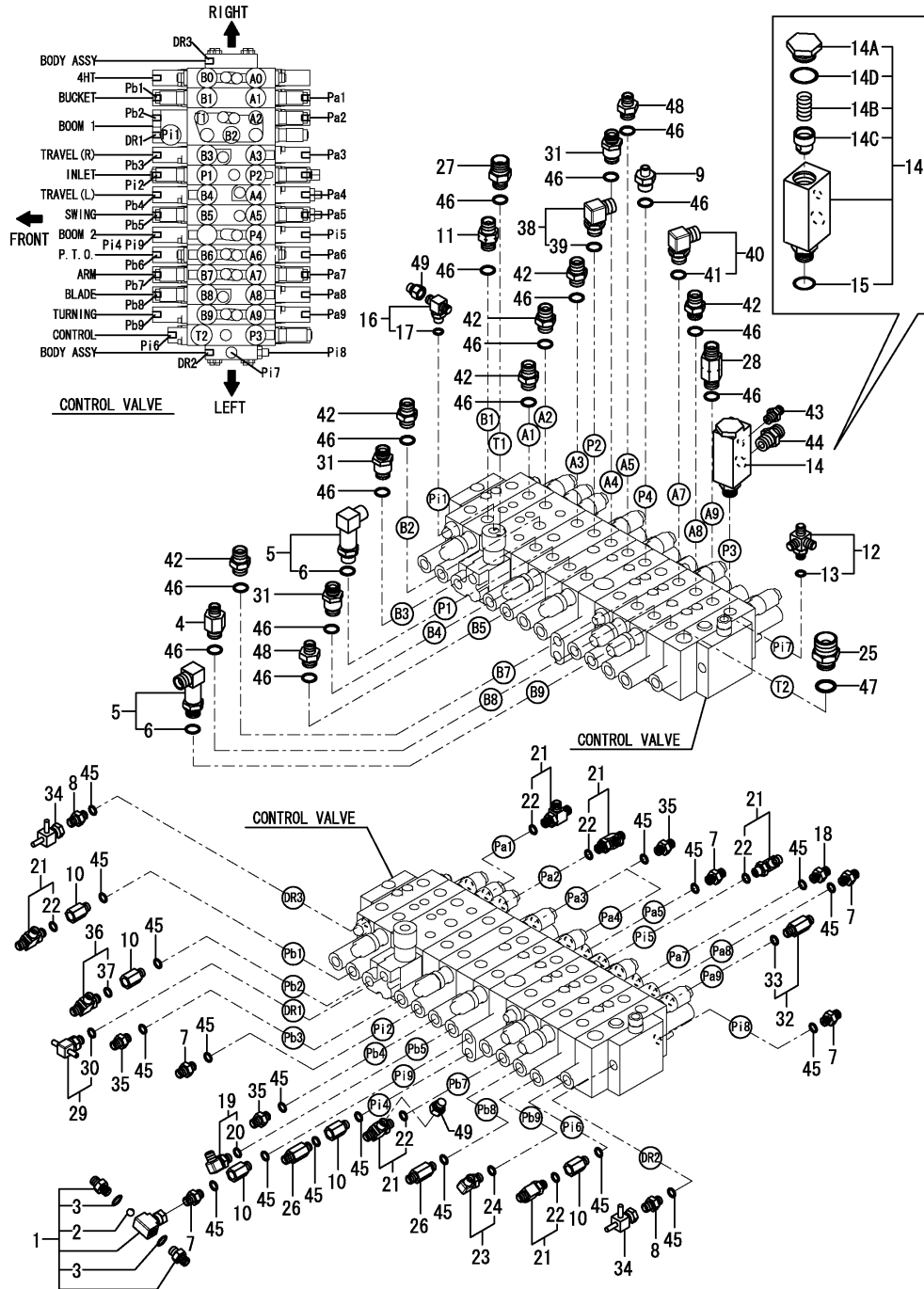
(D)=

(E)=

(F)=

REF.	LEV.	PARTS NO.	DESCRIPTION	QTY						I	R
				(A)	(B)	(C)	(D)	(E)	(F)		
1	1	172155-11120	ELBOW	1	1	1					
2	1	172123-76121	JOINT PF1/4	1	1	1					
3	1	172187-76131	CONNECTER(PF3/4-PT3/	1	1	1					
4	1	172A52-76130	JOINT G3/8	1	1	1					
5	2	24315-000140	O-RING 1B P-14.0	1	1	1					
6	1	172187-76141	CONNECTOR(PF1-PF3/4	1	1	1					
7	2	24315-000240	O-RING 1B P-24.0	1	1	1					
8	1	172A69-76140	ADAPTER M/F 3/8	1	1	1					
9	2	41851-000140	O RING P 14.0 HNBR	1	1	1					
10	1	172165-76270	NIPPLE	1	1	1					
11	1	172499-76300	ELBOE3/8	1	1	1					
12	2	24315-000140	O-RING 1B P-14.0	1	1	1					
13	1	172499-76310	JOINT 3/8	1	1	1					
13-1	1	172499-76311	JOINT 3/8	1	1	1					F 1
		(A=MZZZZZ) (B=MZZZZZ) (C=MZZZZZ)									
14	1	172A89-76310	JOINT,G1/4-RC1/8	1	1	1					
15	2	41851-000110	PACKING, 11.0	1	1	1					
16	1	172162-76320	CONNECTOR 3-1/4	1	1	1					
17	1	172141-76900	CONNECTOR 1/2L	1	1	1					
18	2	24315-000180	O-RING 1B P-18.0	1	1	1					
19	1	172141-76920	CONNECTOR 3/8-1/4L	1	1	1					
20	2	24315-000140	O-RING 1B P-14.0	1	1	1					
21	1	172112-77361	CONNECTOR	1	1	1					
22	1	41851-000110	PACKING, 11.0	1	1	1					
23	1	41851-000180	O RING	1	1	1					
24	1	172137-16560	BAND	1	1	1					
25	1	172A69-78230	HOSE G616CC159S	1	1	1					
26	1	172A69-78250	HOSE G806YY075	1	1	1					
27	1	172A69-78261	HOSE G806YY060S	1	1	1					
28	1	172A69-78261	HOSE G806YY060S	1	1	1					
29	1	172A69-78270	HOSE G806YY140	1	1	1					
30	1	23001-016000	HOSE CLAMP 16	8	8	8					
31	1	1E3030-78370	CAP G 1/4	2							
32	1	23871-020000	PLUG PT1/4,SCREW	1	1	1					W
		(A=MZZZZZ) (B=MZZZZZ) (C=MZZZZZ)									

Fig.94. HYD.OIL PIPING(CONTROL VALVE : FITTING)



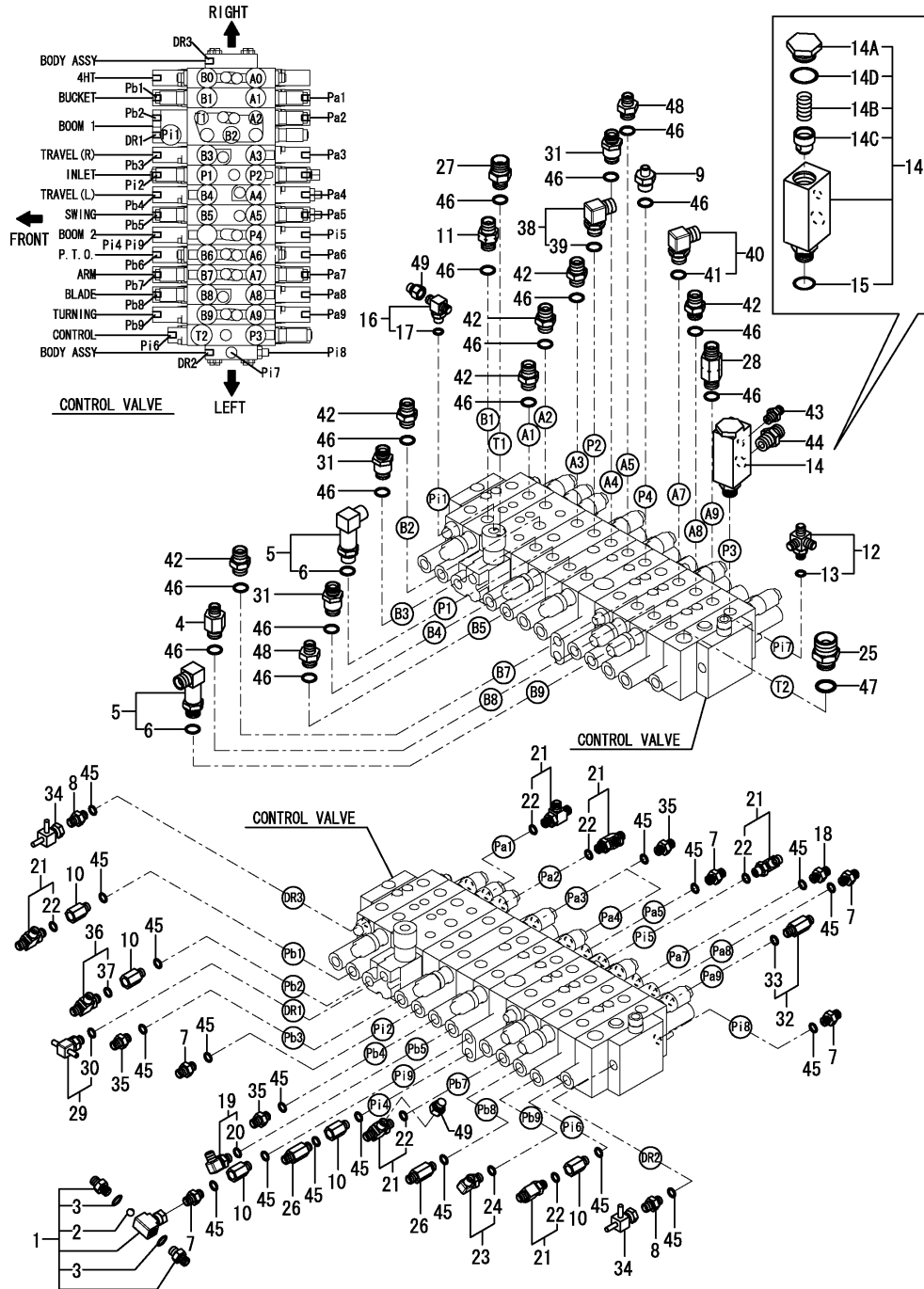
(A)=VIO80(US)
(B)=VIO80(AS)
(C)=VIO80(NZ)

(D)=
(E)=
(F)=

REF.	LEV.	PARTS NO.	DESCRIPTION	QTY						I	R
				(A)	(B)	(C)	(D)	(E)	(F)		
1	1	172A86-74500	VALVE,SHUTTLE	1	1	1					
2	2	24190-140001	BALL 7/16, STEEL	1	1	1					
3	2	41851-000110	PACKING, 11.0	2	2	2					
4	1	172423-76100	CONNECTOR	1	1	1					
5	1	172524-76110	ELBOW 1/2 L	2	2	2					
6	2	24315-000180	O-RING 1B P-18.0	2	2	2					
7	1	172123-76121	JOINT PF1/4	5	5	5					
8	1	172123-76121	JOINT PF1/4	2	2	2					
9	1	172423-76120	CONNECTOR	1	1	1					
10	1	172422-76140	CONNECTOR	5	5	5					
11	1	172423-76140	CONNECTOR 1/2X 1/2	1	1	1					
12	1	172491-76140	CONNECTOR 1/4	1	1	1					
13	2	24315-000110	O-RING 1B P-11.0	1	1	1					
14	1	172A69-76150	ELBOW,901/2	1	1	1					
14A	2	172A69-76050	PLUG	1	1	1					
14B	2	172A69-76060	SPRING	1	1	1					
14C	2	172A69-76070	VALVE, POPPET	1	1	1					
14D	2	24315-000240	O-RING 1B P-24.0	1	1	1					
15	2	41851-000180	O RING	1	1	1					
16	1	172187-76170	THEETH	1	1	1					
17	2	24315-000110	O-RING 1B P-11.0	1	1	1					
18	1	172A47-76171	CONNECTOR G1/4-1.0	1	1	1					
19	1	172141-76181	CONNECTOR ASSY, 02FF	1	1	1					
20	2	41851-000110	PACKING, 11.0	1	1	1					
21	1	172162-76181	JOINT 3-1/4 ASSY	6	6	6					
22	2	41851-000110	PACKING, 11.0	6	6	6					
23	1	172A47-76180	ELBOE,90G1/4-0.6	1	1	1					
24	2	41851-000110	PACKING, 11.0	1	1	1					
25	1	172151-76200	JOINT PF3/4- 1	1	1	1					
26	1	172183-76200	CONNECTOR 1/4-1/4	2	2	2					
27	1	172187-76200	ADAPTER	1	1	1					
28	1	172176-76210	JOINT PF1/2	1	1	1					
29	1	172A47-76230	NIPPLE G1/4	1	1	1					
30	2	41851-000110	PACKING, 11.0	1	1	1					
31	1	172147-76271	CONNECTOR	3	3	3					
32	1	172A47-76290	CONNECTOR G1/4L-0.6	1	1	1					
33	2	41851-000110	PACKING, 11.0	1	1	1					
34	1	172A47-76320	NIPPLE FEMALE G1/4	2	2	2					
35	1	172164-76330	JOINT PF1/4-0.7	4	4	4					
36	1	172164-76700	T-JOINT 1/4	1	1	1					
37	2	24315-000110	O-RING 1B P-11.0	1	1	1					
38	1	172141-76900	CONNECTOR 1/2L	1	1	1					
39	2	24315-000180	O-RING 1B P-18.0	1	1	1					
40	1	172141-76900	CONNECTOR 1/2L	1	1	1					
41	2	24315-000180	O-RING 1B P-18.0	1	1	1					
42	1	172112-77361	CONNECTOR	6	6	6					
43	1	23391-020000	JOINT RGI1/4	1	1	1					
44	1	23391-040000	JOINT RGI 1/2	1	1	1					
45	1	41851-000110	PACKING, 11.0	19	19	19					
46	1	41851-000180	O RING	16	16	16					
47	1	41851-000240	PACKING, 24.0	1	1	1					

N:Old $\begin{matrix} \leftarrow \text{Yes} \\ \text{No} \end{matrix}$ New, Q:Old $\begin{matrix} \leftarrow \text{No} \\ \text{Yes} \end{matrix}$ New, R:Old $\begin{matrix} \leftarrow \text{Yes} \\ \text{Yes} \end{matrix}$ New, S:Old $\begin{matrix} \leftarrow \text{No} \\ \text{No} \end{matrix}$ New, W:Add, Z:Discontinued, F:Interchangeable by set, K:Q'ty Change
++ CONTINUE ++
(C)Copyrights YANMAR CO.,LTD.

Fig.94. HYD.OIL PIPING(CONTROL VALVE : FITTING)



(A)=VIO80(US)

(B)=VIO80(AS)

(C)=VIO80(NZ)

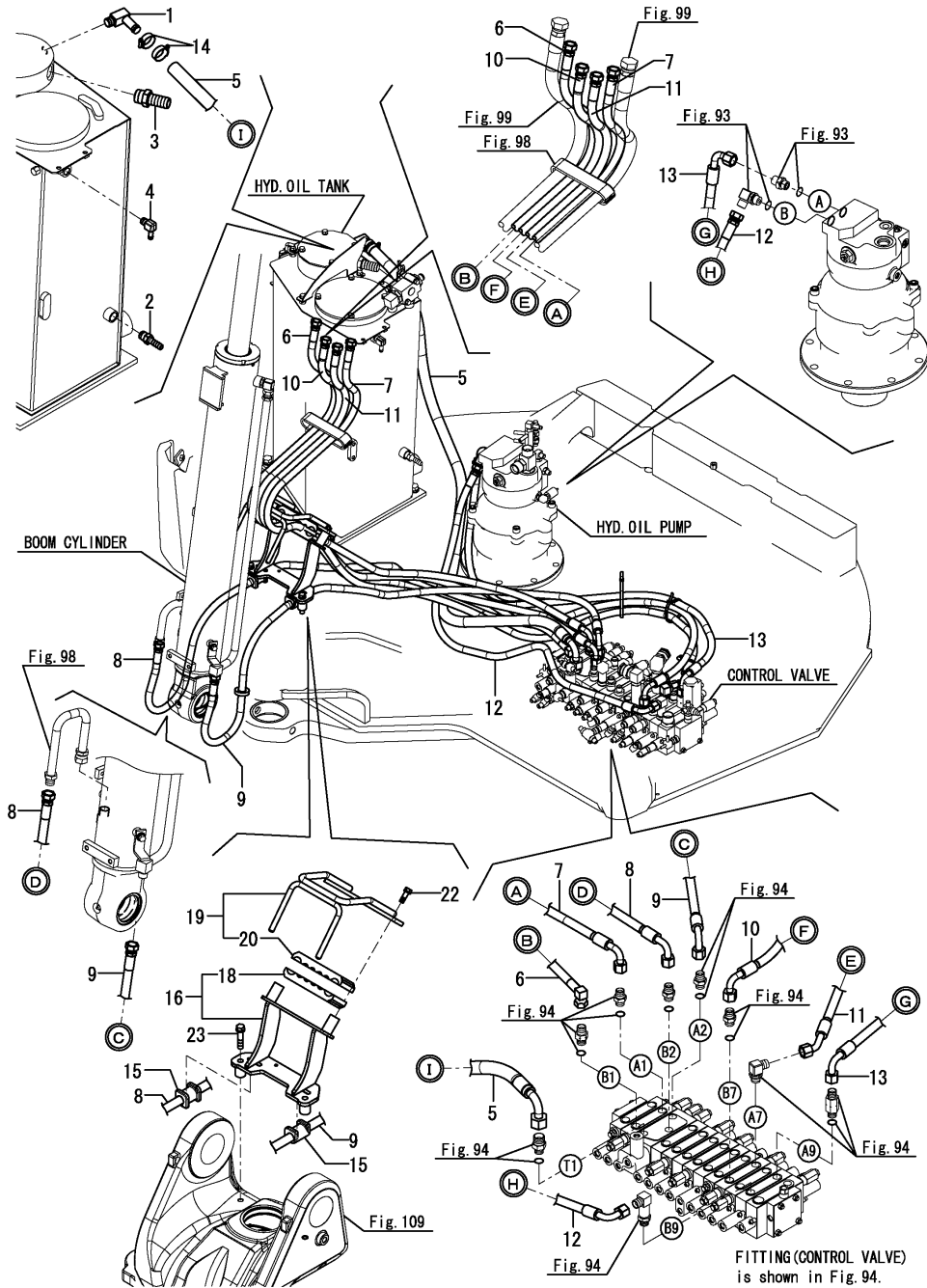
(D)=

(E)=

(F)=

REF.	LEV.	PARTS NO.	DESCRIPTION	QTY						I	R
				(A)	(B)	(C)	(D)	(E)	(F)		
48	1	933160-01370	CONNECTOR PF1/2-3/8	2	2	2					
49	1	1E3030-78370	CAP G 1/4	2							

Fig.95. HYD.OIL PIPING(CONTROL VALVE - BOOM, TURNING MOTOR, TANK)

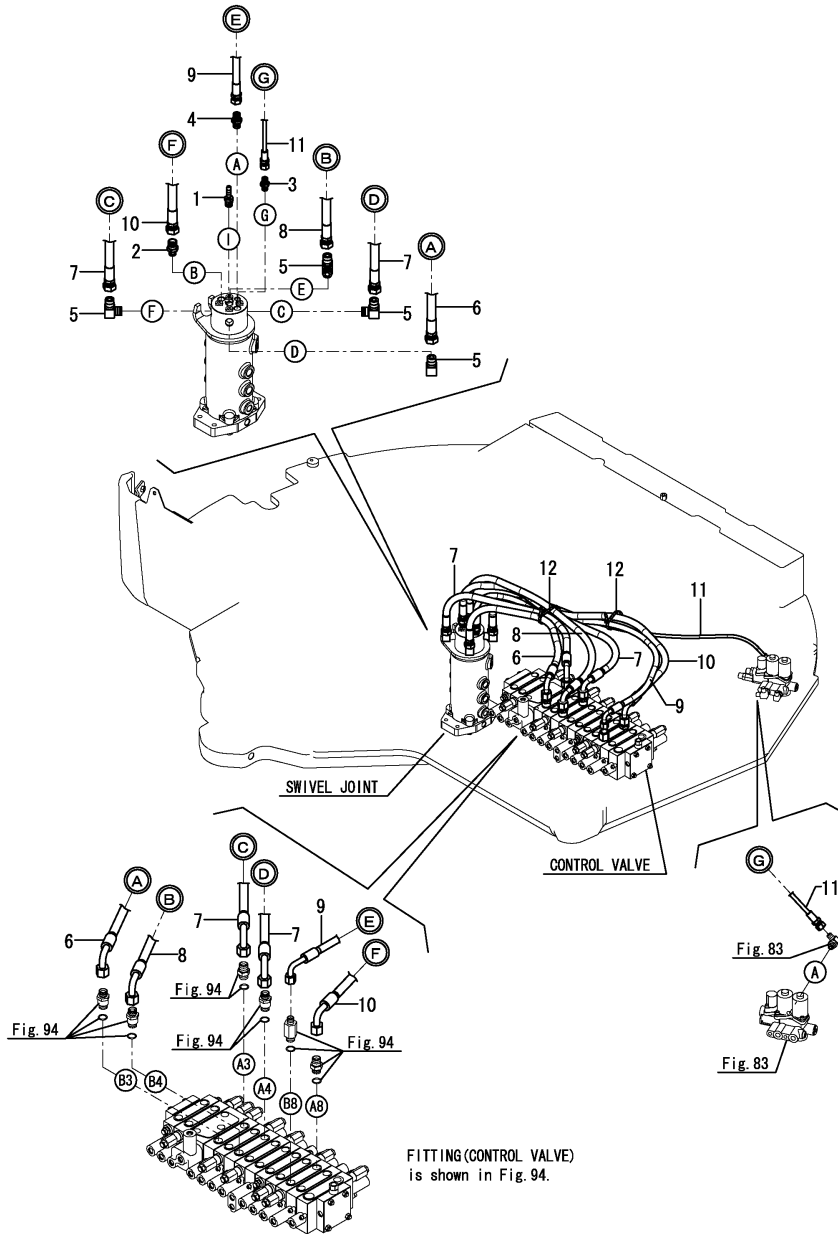


OCS10-G55700 95. HYD.OIL PIPING(CONTROL VALVE - BOOM, TURNING MOTOR, TANK)

(A)=VIO80(US) (D)=
 (B)=VIO80(AS) (E)=
 (C)=VIO80(NZ) (F)=

REF.	LEV.	PARTS NO.	DESCRIPTION	QTY						I	R
				(A)	(B)	(C)	(D)	(E)	(F)		
1	1	172455-76160	ELBOW	1	1	1					
1-1	1	172A89-76170	ELBOW, 90 1/2	1	1	1					N
		(A=MZZZZZ) (B=MZZZZZ) (C=MZZZZZ)									
2	1	172168-76170	CONNECTOR	1	1	1					
3	1	172187-76180	NIPPLE, HOSE	1	1	1					
4	1	172168-76370	ELBOW	1	1	1					
5	1	172A69-78220	HOSE	1	1	1					
6	1	172A89-78300	HOSE H108BV238K	1	1	1					
7	1	172A89-78310	HOSE H108BC234K	1	1	1					
8	1	172A69-78320	HOSE	1	1	1					
9	1	172A69-78330	HOSE	1	1	1					
10	1	172A89-78430	HOSE G108BC291K	1	1	1					
11	1	172A89-78440	HOSE H108BE272K	1	1	1					
12	1	172A69-78470	HOSE	1	1	1					
13	1	172A69-78480	HOSE	1	1	1					
14	1	23001-035000	CLAMP, HOSE	2	2	2					
15	1	172187-78100	RUBBER	2	2	2					
16	1	172A89-79100	CLAMP ASSY,HOSE (2J)	1	1	1					
16-1	1	172A89-79100-Y	CLAMP ASSY,HOSE	1	1	1					S
		(A=M92001) (B=M92001) (C=M92001)									
18	2	172A89-79140	RUBBER SUPPORT,HOSE	1	1	1					
19	1	172A89-79150	PLATE ASSY,CLAMP(2J)	1	1	1					
19-1	1	172A89-79150-Y	PLATE ASSY,CLAMP	1	1	1					S
		(A=M92001) (B=M92001) (C=M92001)									
20	2	172A89-79140	RUBBER SUPPORT,HOSE	1	1	1					
22	1	26013-100302	BOLT	2	2	2					
23	1	26013-120602	BOLT	2	2	2					

Fig.96. HYD.OIL PIPING(CONTROL VALVE - SWIVEL JOINT)



(A)=VIO80(US)

(B)=VIO80(AS)

(C)=VIO80(NZ)

(D)=

(E)=

(F)=

REF.	LEV.	PARTS NO.	DESCRIPTION	Q'TY						I	R	
				(A)	(B)	(C)	(D)	(E)	(F)			
1	1	172137-76110	NIPPLE	1	1	1					Z	1
		(A=M92122) (B=M92122) (C=M92122)										
2	1	172141-76940	ADAPTER	1	1	1					Z	1
		(A=M92122) (B=M92122) (C=M92122)										
3	1	23391-020000	JOINT	1	1	1					Z	1
		(A=M92122) (B=M92122) (C=M92122)										
4	1	23391-030000	JOINT	1	1	1					Z	1
		(A=M92122) (B=M92122) (C=M92122)										
5	1	23393-040000	JOINT	4	4	4					Z	1
		(A=M92122) (B=M92122) (C=M92122)										
6	1	172A69-78340	HOSE	1	1	1						
7	1	172A69-78350	HOSE	2	2	2						
8	1	172A69-78360	HOSE	1	1	1						
9	1	172A69-78450	HOSE	1	1	1						
10	1	172A69-78460	HOSE	1	1	1						
11	1	172A69-78900	HOSE	1	1	1						
12	1	172122-79890	CLAMP, HOSE	3	3	3						

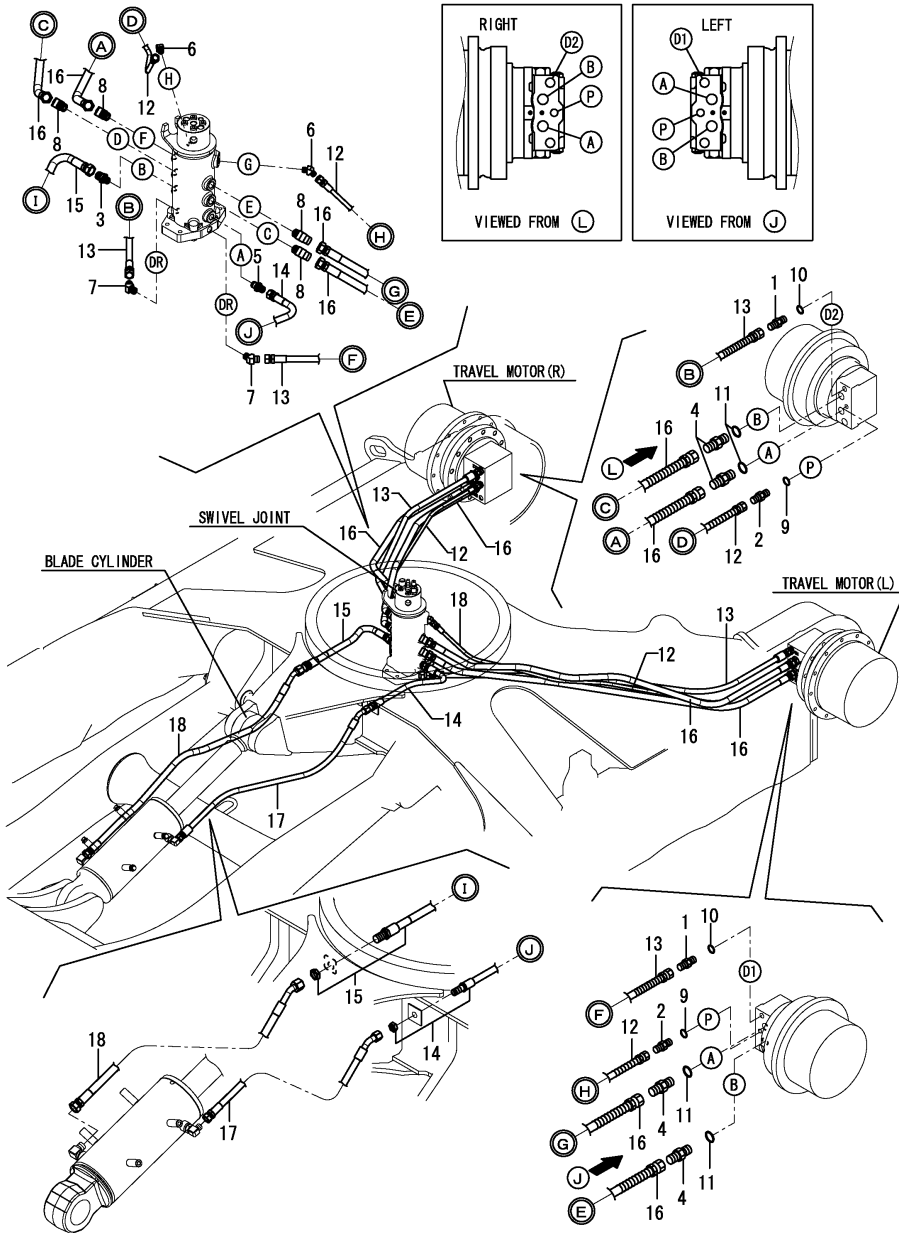
Remarks

(1)New parts(:N-spec. Swivel joint) are shown in Fig.120(71B).

Fig.97. HYD.OIL PIPING(TRACK FRAME)

(A)=VIO80(US)
(B)=VIO80(AS)
(C)=VIO80(NZ)

(D)=
(E)=
(F)=



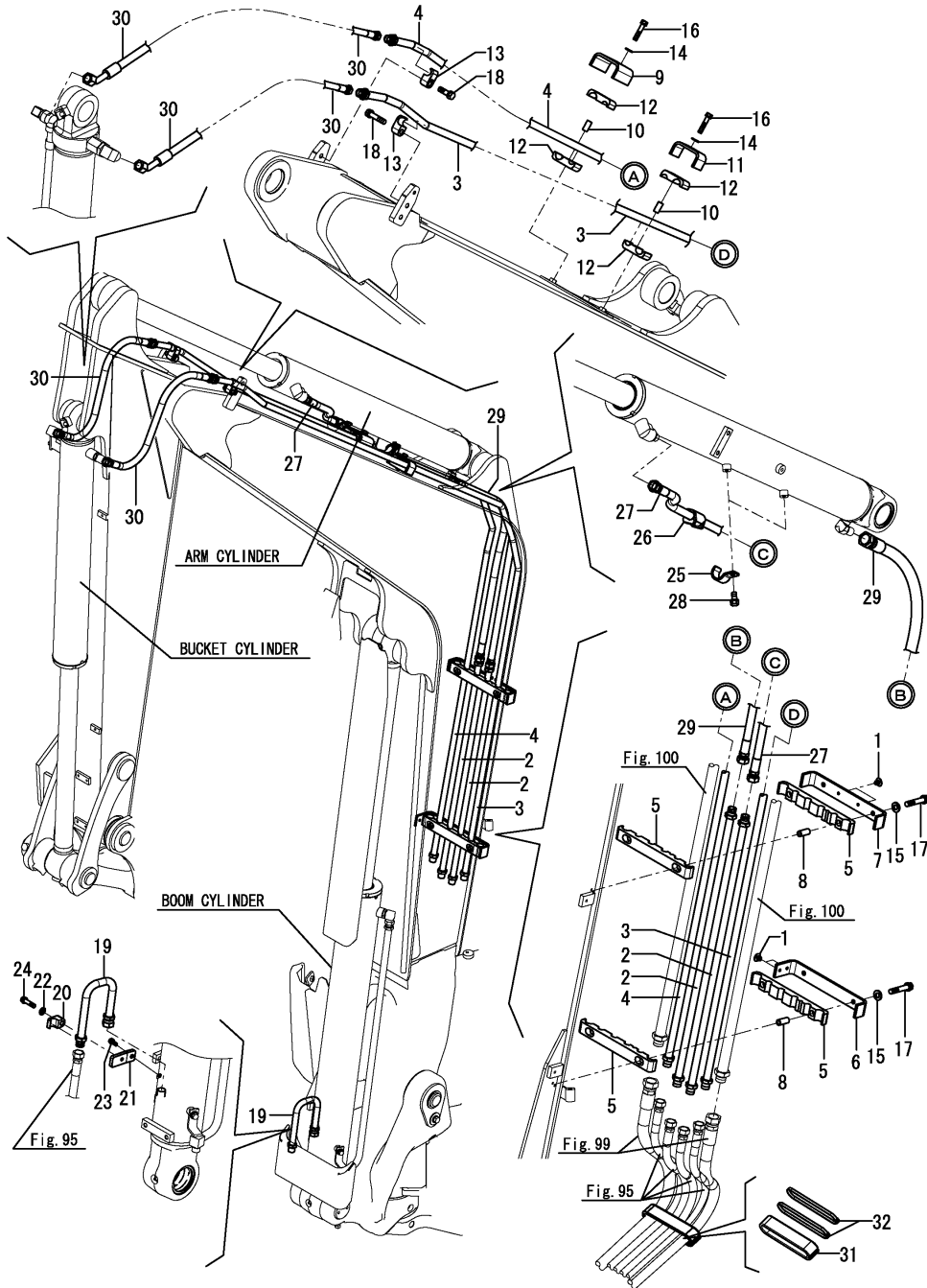
REF.	LEV.	PARTS NO.	DESCRIPTION	QTY						I	R	
				(A)	(B)	(C)	(D)	(E)	(F)			
1	1	172730-75141	ADAPTER	2	2	2						
2	1	172123-76121	ADAPTER	2	2	2						
3	1	172141-76940	ADAPTER	1	1	1					Z	1
		(A=M92122) (B=M92122) (C=M92122)										
4	1	172112-77361	CONNECTOR	4	4	4						
5	1	23391-030000	JOINT	1	1	1					Z	1
		(A=M92122) (B=M92122) (C=M92122)										
6	1	23394-020000	JOINT	2	2	2					Z	1
		(A=M92122) (B=M92122) (C=M92122)										
7	1	23394-030000	JOINT	2	2	2					Z	1
		(A=M92122) (B=M92122) (C=M92122)										
8	1	23394-040000	JOINT	4	4	4					Z	1
		(A=M92122) (B=M92122) (C=M92122)										
9	1	41851-000110	O-RING	2	2	2						
10	1	41851-000140	O-RING	2	2	2						
11	1	41851-000180	O-RING	4	4	4						
12	1	172187-78201	HOSE	2	2	2						
13	1	172187-78211	HOSE	2	2	2						
14	1	172A69-78510	HOSE	1	1	1						
15	1	172A69-78520	HOSE	1	1	1						
16	1	172499-78530	HOSE	4	4	4						
17	1	172A69-78530	HOSE	1	1	1						
18	1	172A69-78540	HOSE	1	1	1						

Remarks

(1)New parts(:N-spec. Swivel joint) are shown in Fig.120(71B).

N:Old $\xrightarrow{\text{Yes}}$ New, Q:Old $\xrightarrow{\text{No}}$ New, R:Old $\xrightarrow{\text{Yes}}$ New, S:Old $\xrightarrow{\text{No}}$ New, W:Add, Z:Discontinued, F:Interchangeable by set, K:Q'ty Change

Fig.98. HYD.OIL PIPING(BOOM)



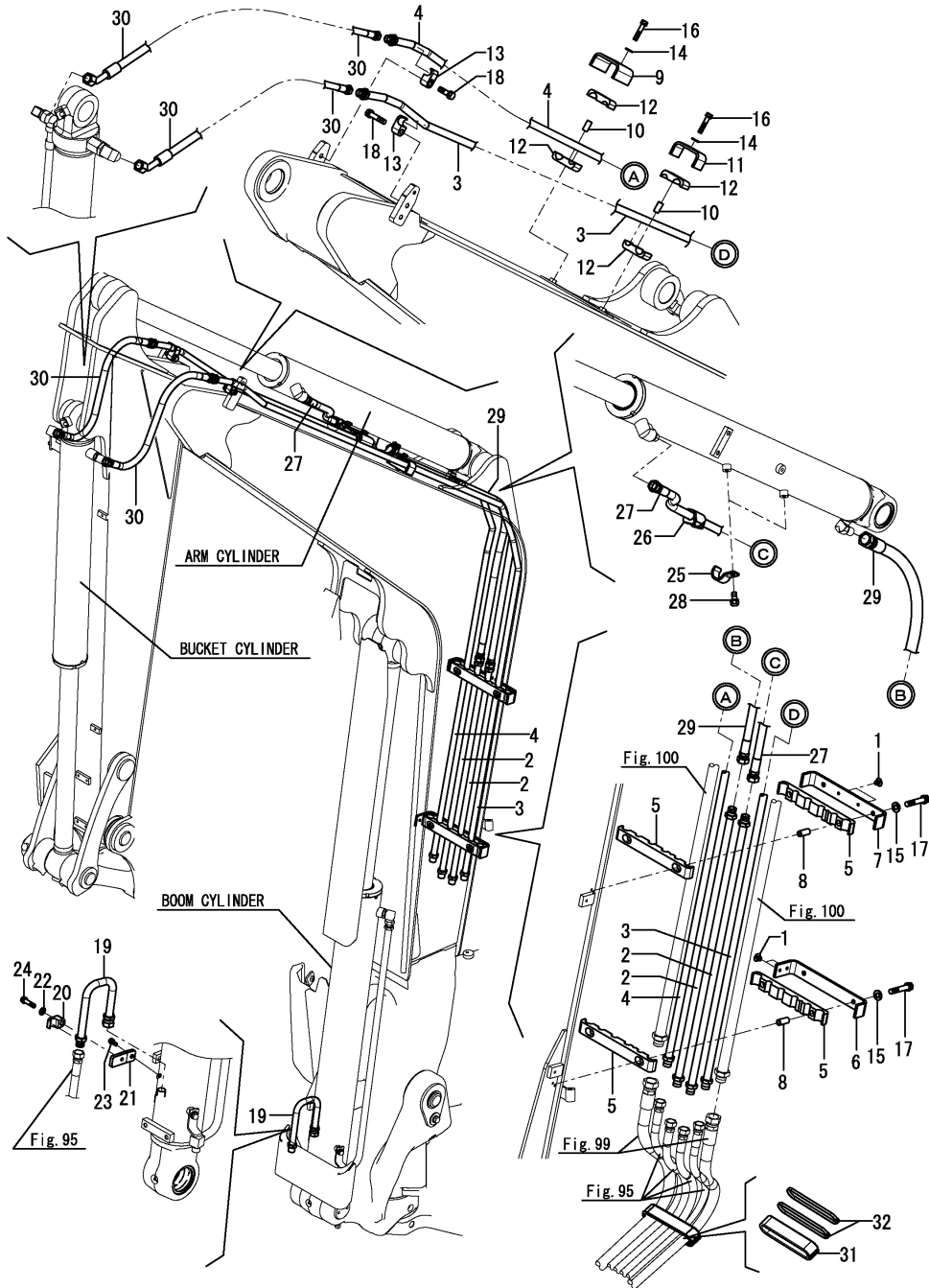
(A)=VIO80(US)
(B)=VIO80(AS)
(C)=VIO80(NZ)

(D)=
(E)=
(F)=

REF.	LEV.	PARTS NO.	DESCRIPTION	Q'TY						I	R
				(A)	(B)	(C)	(D)	(E)	(F)		
1	1	172444-17660	CLIP, TREE	6	6	6					
2	1	172A69-76200	TUBE ASSY, ARM	2	2	2					
2-1	1	172A69-76200-Y	TUBE ASSY, ARM	2	2	2					S
3	1	172A89-76250	TUBE L , BUCKET (2J)	1	1	1					
3-1	1	172A89-76250-Y	TUBE L , BUCKET	1	1	1					S
4	1	172A69-76270	TUBE ASSY, BUCKET	1	1	1					
4-1	1	172A69-76270-Y	TUBE ASSY, BUCKET	1	1	1					S
5	1	172A89-76400	RUBBER CLAMP A	4	4	4					
6	1	172A69-76420	CLAMP, TUBE	1	1	1					
6-1	1	172A69-76420-Y	CLAMP, TUBE	1	1	1					S
7	1	172A69-76430	CLAMP, TUBE	1	1	1					
7-1	1	172A69-76430-Y	CLAMP, TUBE	1	1	1					S
8	1	172A69-76450	COLLAR, CLAMP	4	4	4					
9	1	172A69-76460	CLAMP, TUBE	1	1	1					
9-1	1	172A69-76460-Y	CLAMP, TUBE	1	1	1					S
10	1	172187-76520	COLLAR, CLAMP	2	2	2					
11	1	172187-76530-2	CLAMP, TUBE	1	1	1					
11-1	1	172187-76530-Y	CLAMP, TUBE	1	1	1					S
12	1	172187-76940	RUBBER	4	4	4					
13	1	172142-76950-6	CLAMP	2	2	2					
13-1	1	172142-76950-Y	CLAMP	2	2	2					S
14	1	22137-100000	WASHER	2	2	2					
15	1	22137-100000	WASHER	4	4	4					
16	1	26013-100502	BOLT	2	2	2					
17	1	26013-100552	BOLT	4	4	4					
18	1	26013-120402	BOLT	2	2	2					
18-1	1	26013-120402	BOLT	2	2	2					R
19	1	172A89-72270	TUBE ,BOOM STD (2J)	1							
19-1	1	172A89-72270-N	TUBE ,BOOM STD	1							S
20	1	172142-76950-6	CLAMP	1							
20-1	1	172142-76950-N	CLAMP	1							S
21	1	172A69-77240	PLATE,CLAMP H	1							
22	1	22137-100000	WASHER	1							
23	1	26013-080202	BOLT	1							
24	1	26013-100402	BOLT	1							
25	1	172A69-72680	CLAMP ASSY, HOSE	2							
26	1	172187-78100	RUBBER	2							
27	1	172A69-78280	HOSE	1							
28	1	26013-100162	BOLT	2							
29	1	172A89-78550	HOSE H108BB095K	1	1	1					

N:Old $\begin{matrix} \text{Yes} \\ \text{No} \end{matrix}$ New, Q:Old $\begin{matrix} \text{No} \\ \text{Yes} \end{matrix}$ New, R:Old $\begin{matrix} \text{Yes} \\ \text{No} \end{matrix}$ New, S:Old $\begin{matrix} \text{No} \\ \text{Yes} \end{matrix}$ New, W:Add, Z:Discontinued, F:Interchangeable by set, K:Q'ty Change
++ CONTINUE ++
(C)Copyrights YANMAR CO.,LTD.

Fig.98. HYD.OIL PIPING(BOOM)

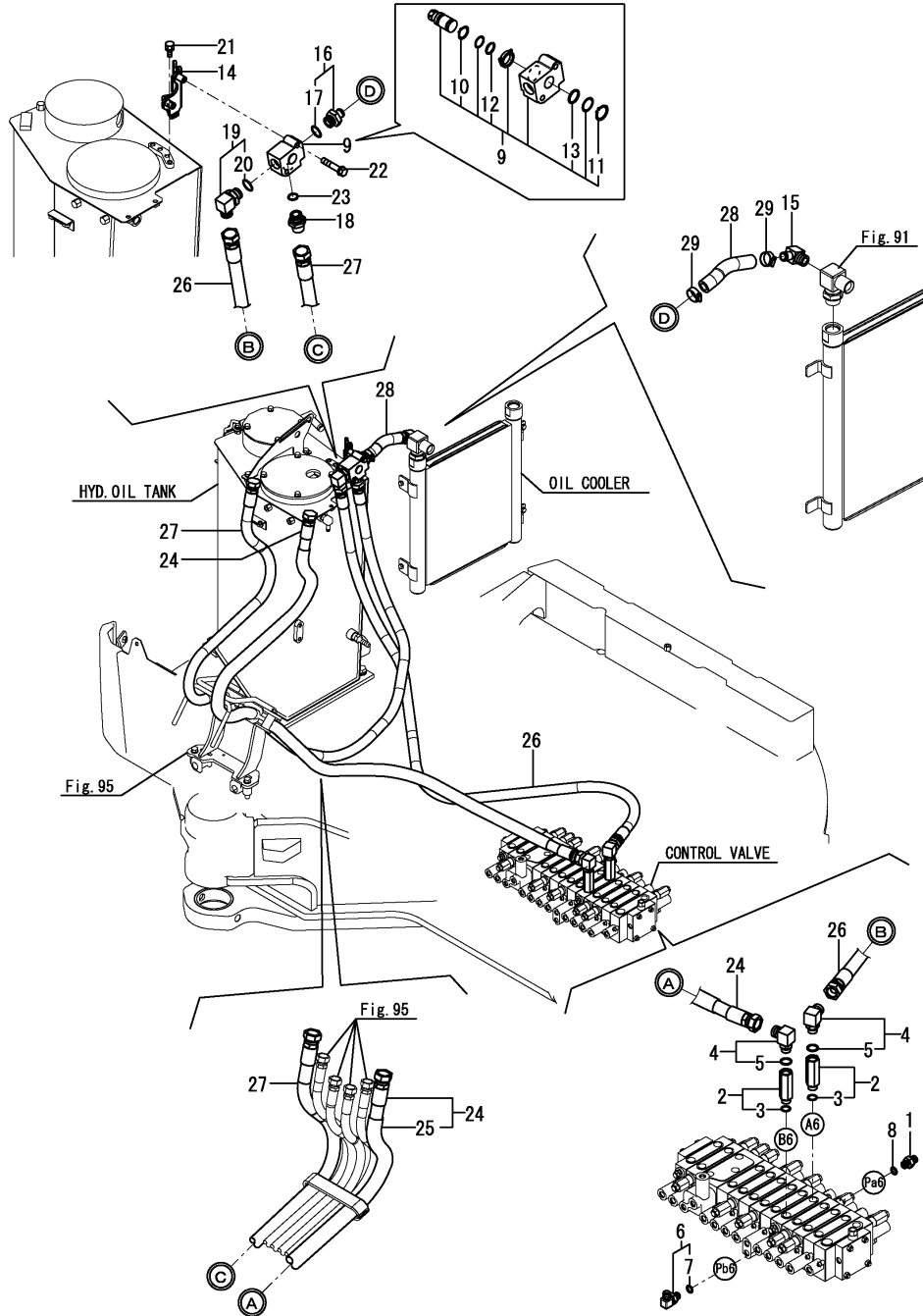


(A)=VIO80(US)
 (B)=VIO80(AS)
 (C)=VIO80(NZ)

(D)=
 (E)=
 (F)=

REF.	LEV.	PARTS NO.	DESCRIPTION	QTY						I	R
				(A)	(B)	(C)	(D)	(E)	(F)		
30	1	172A89-78570	HOSE H108BB070W	2	2	2					
31	1	172A69-78680	COVER, HOSE	1	1	1					
32	1	172A69-79890	CLIP, HOSE	2	2	2					

Fig.99. HYD.OIL.PIPING(P.T.O. : FRAME END)



(A)=VIO80(US)

(B)=VIO80(AS)

(C)=VIO80(NZ)

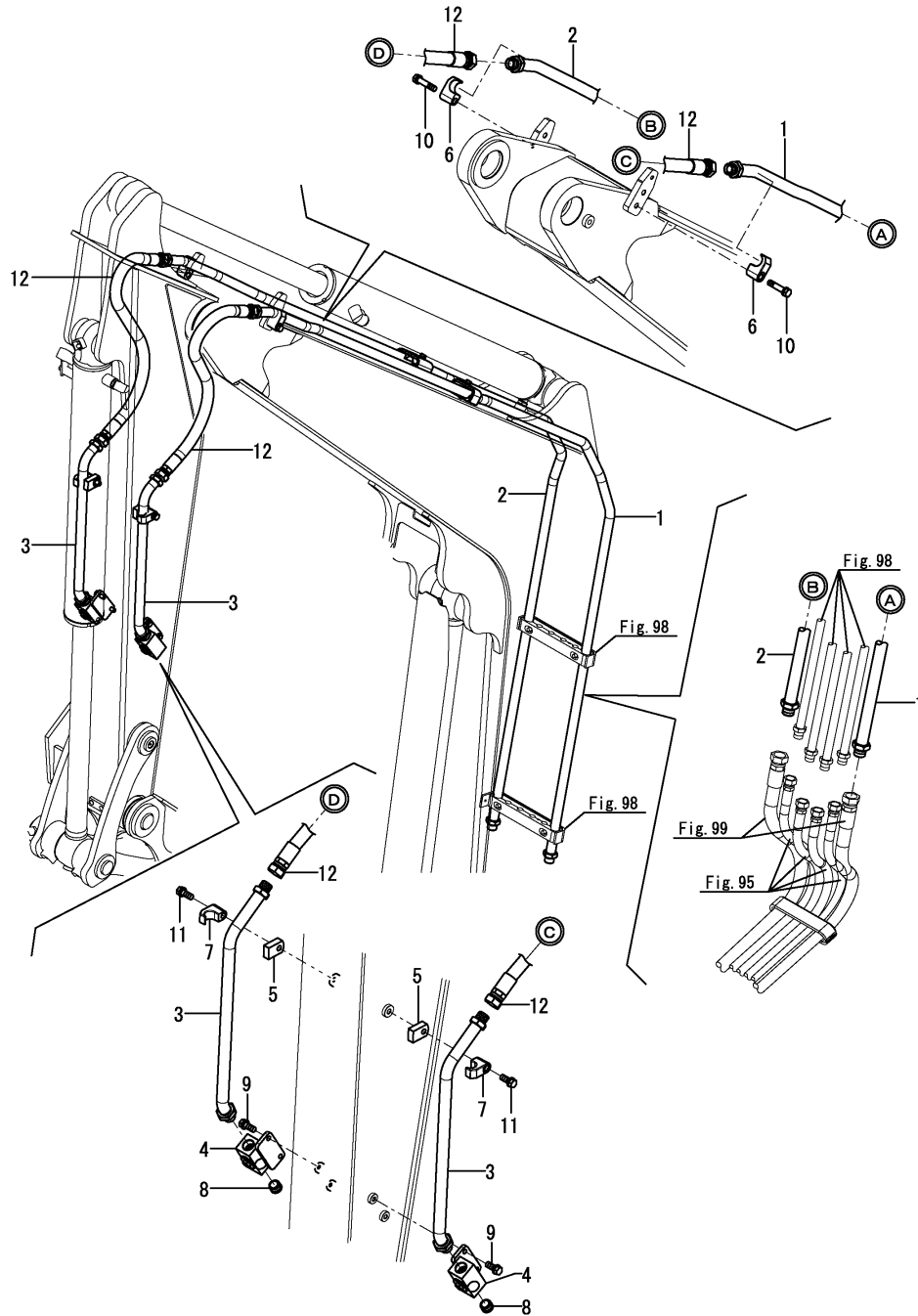
(D)=

(E)=

(F)=

REF.	LEV.	PARTS NO.	DESCRIPTION	QTY						I	R
				(A)	(B)	(C)	(D)	(E)	(F)		
1	1	172123-76121	JOINT PF1/4	1	1	1					
2	1	172A21-76120	ADAPTER G1/2-1/2	2	2	2					
3	2	41851-000180	O RING	2	2	2					
4	1	172151-76161	ELBOW	2	2	2					
5	2	24315-000180	O-RING 1B P-18.0	2	2	2					
6	1	172141-76181	CONNECTOR ASSY, 02FF	1	1	1					
7	2	41851-000110	PACKING, 11.0	1	1	1					
8	1	41851-000110	PACKING, 11.0	1	1	1					
9	1	172A69-74050	VALVE ASSY,SELECOR	1	1	1					
10	2	22242-000210	CIRCLIP 21	1	1	1					
11	2	22242-000250	CIRCLIP 25S	1	1	1					
12	2	24315-000210	O-RING 1B P 21	1	1	1					
13	2	24315-000250	O-RING 1B P-25.0	1	1	1					
14	1	172A69-74070	STAY ASSY,VALVE	1	1	1					
15	1	172467-76120	ELBOW	1	1	1					
16	1	172524-76210	NIPPLE PF3/4,HOSE	1	1	1					
17	2	24315-000240	O-RING 1B P-24.0	1	1	1					
18	1	172142-76240	JOINT PF3/4	1	1	1					
19	1	172165-76380	CONNECTOR PF3/4M CMP	1	1	1					
20	2	24315-000240	O-RING 1B P-24.0	1	1	1					
21	1	26013-100162	BOLT M10X 16	2	2	2					
22	1	26013-100502	BOLT M10X 50	2	2	2					
23	1	41851-000240	PACKING, 24.0	1	1	1					
24	1	172A89-78400	HOSE G112BB259K	1	1	1					
25	2	172175-78720	SPONGE, HOSE	1	1	1					
26	1	172A89-78410	HOSE G112BB205K	1	1	1					
27	1	172A89-78420	HOSE G112BB304K	1	1	1					
28	1	172A89-78490	HOSE G812YY018	1	1	1					
29	1	23001-025000	HOSE CLAMP 25	2	2	2					

Fig.100. HYD.OIL PIPING(P.T.O. : ARM END)



(A)=VIO80(US)

(B)=VIO80(AS)

(C)=VIO80(NZ)

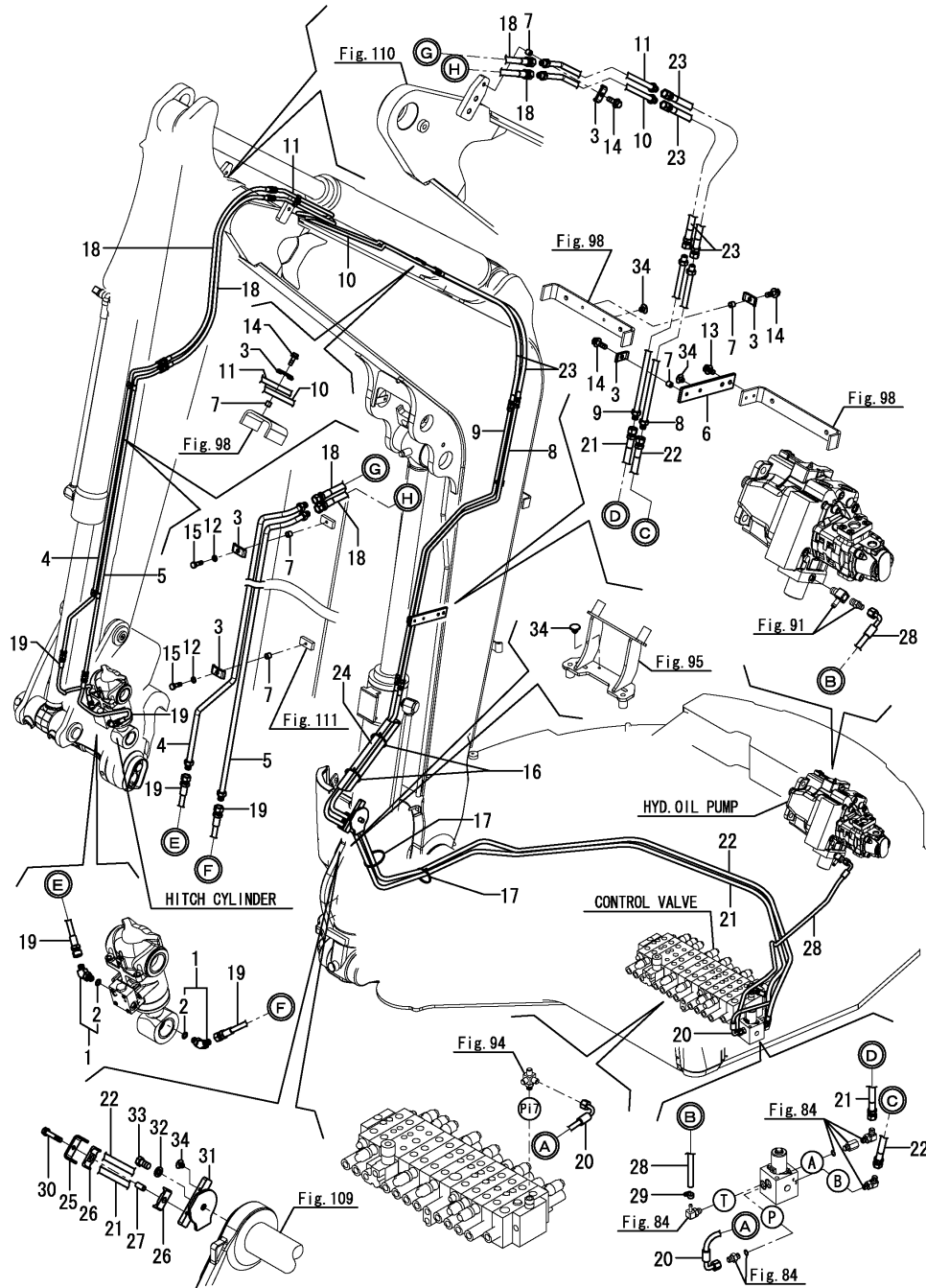
(D)=

(E)=

(F)=

REF.	LEV.	PARTS NO.	DESCRIPTION	QTY						I	R
				(A)	(B)	(C)	(D)	(E)	(F)		
1	1	172A69-76300	TUBE L ASSY,PTO (2J)	1	1	1					
1-1	1	172A69-76300-Y	TUBE L ASSY,PTO	1	1	1					S
		(A=M92001) (B=M92001) (C=M92001)									
2	1	172A69-76320	TUBE R ASSY,PTO (2J)	1	1	1					
2-1	1	172A69-76320-Y	TUBE R ASSY,PTO	1	1	1					S
		(A=M92001) (B=M92001) (C=M92001)									
3	1	172187-76570-2	TUBE, 3RD	2	2	2					
3-1	1	172187-76570-Y	TUBE, 3RD	2	2	2					S
		(A=M92001) (B=M92001) (C=M92001)									
4	1	172176-76582-2	VALVE ASSY, STOP	2	2	2					
4-1	1	172176-76582-Y	VALVE ASSY, STOP	2	2	2					S
		(A=M92001) (B=M92001) (C=M92001)									
5	1	172187-76690-2	PLATE	2	2	2					
5-1	1	172187-76690-Y	PLATE	2	2	2					S
		(A=M92001) (B=M92001) (C=M92001)									
6	1	172142-76940-2	CLAMP	2	2	2					
6-1	1	172142-76940-Y	CLAMP	2	2	2					S
		(A=M92001) (B=M92001) (C=M92001)									
7	1	172142-76940-2	CLAMP	2	2	2					
7-1	1	172142-76940-Y	CLAMP	2	2	2					S
		(A=M92001) (B=M92001) (C=M92001)									
8	1	23871-060000	PLUG	2	2	2					
9	1	26013-100252	BOLT	4	4	4					
10	1	26013-120552	BOLT	2	2	2					
11	1	26013-120702	BOLT	2	2	2					
12	1	172187-79250	HOSE	2	2	2					

Fig.101. HYD.OIL PIPING(QUIK COUPLER)



(A)=VIO80(US)
(B)=VIO80(AS)
(C)=VIO80(NZ)

(D)=
(E)=
(F)=

REF.	LEV.	PARTS NO.	DESCRIPTION	QTY						I	R
				(A)	(B)	(C)	(D)	(E)	(F)		
1	1	172978-76100	ELBOW PF1/4-PF1/4	2	2	2					
2	2	24315-000110	O-RING	2	2	2					
3	1	172110-76170-3	PLATE	6	6	6					
3-1	1	172110-76170	PLATE	6	6	6					R
		(A=MZZZZZ) (B=MZZZZZ) (C=MZZZZZ)									
4	1	172978-76480-2	TUBE, ARM	1	1	1					
4-1	1	172978-76480-Y	TUBE, ARM	1	1	1					S
		(A=M92001) (B=M92001) (C=M92001)									
5	1	172978-76500-2	TUBE, ARM	1	1	1					
5-1	1	172978-76500-Y	TUBE, ARM	1	1	1					S
		(A=M92001) (B=M92001) (C=M92001)									
6	1	172A69-76510	PLATE,CLAMP Q HV(2J)	1	1	1					
6-1	1	172A69-76510-Y	PLATE,CLAMP Q HV	1	1	1					S
		(A=M92001) (B=M92001) (C=M92001)									
7	1	172137-76580	COLLAR	6	6	6					
8	1	172A69-76600	TUBE A ASSY,Q L (2J)	1	1	1					
8-1	1	172A69-76600-Y	TUBE A ASSY,Q L	1	1	1					S
		(A=M92001) (B=M92001) (C=M92001)									
9	1	172A69-76620	TUBE B ASSY,Q R (2J)	1	1	1					
9-1	1	172A69-76620-Y	TUBE B ASSY,Q R	1	1	1					S
		(A=M92001) (B=M92001) (C=M92001)									
10	1	172A69-76640	TUBE C ASSY,Q (2J)	1	1	1					
10-1	1	172A69-76640-Y	TUBE C ASSY,Q	1	1	1					S
		(A=M92001) (B=M92001) (C=M92001)									
11	1	172A69-76660	TUBE D ASSY,Q (2J)	1	1	1					
11-1	1	172A69-76660-Y	TUBE D ASSY,Q	1	1	1					S
		(A=M92001) (B=M92001) (C=M92001)									
12	1	22217-080000	WASHER, SPRING	2	2	2					
13	1	26014-080162	BOLT	2	2	2					
14	1	26014-080252	BOLT	4	4	4					
15	1	26076-080252	BOLT	2	2	2					
16	1	172126-11510	BAND	2	2	2					
17	1	194202-56460	BAND	2	2	2					
18	1	172978-78111	HOSE	2	2	2					
19	1	172958-78120	HOSE	2	2	2					
20	1	172A69-78591	HOSE H604CC025	1	1	1					
21	1	172A89-78600	HOSE H604BB339K	1	1	1					
22	1	172A89-78610	HOSE H604BB339K	1	1	1					
23	1	172A69-78620	HOSE H604BB093K	2	2	2					
24	1	172A69-78670	COVER,HOSE	1	1	1					
25	1	172A69-79200	CLAMP 54X25	1	1	1					
26	1	172A69-79210	RUBBER SUPPORT,HOSE	2	2	2					
27	1	172A69-79220	COLLAR 9X24	1	1	1					
28	1	172A89-79620	HOSE G804CY103	1	1	1					
29	1	23000-013000	CLAMP, HOSE	1	1	1					
30	1	26013-080402	BOLT	1	1	1					
31	1	172A69-79250	CLAMP ASSY (2J)	1	1	1					
31-1	1	172A69-79250-Y	CLAMP ASSY	1	1	1					S
		(A=M92001) (B=M92001) (C=M92001)									
32	1	22217-140000	WASHER, SPRING	1	1	1					
33	1	26116-140252	BOLT	1	1	1					

N:Old $\begin{matrix} \text{Yes} \\ \text{No} \end{matrix}$ New, Q:Old $\begin{matrix} \text{No} \\ \text{Yes} \end{matrix}$ New, R:Old $\begin{matrix} \text{Yes} \\ \text{Yes} \end{matrix}$ New, S:Old $\begin{matrix} \text{No} \\ \text{No} \end{matrix}$ New, W:Add, Z:Discontinued, F:Interchangeable by set, K:Q'ty Change
++ CONTINUE ++
(C)Copyrights YANMAR CO.,LTD.

Fig.101. HYD.OIL PIPING(QUIK COUPLER)

(A)=VIO80(US)

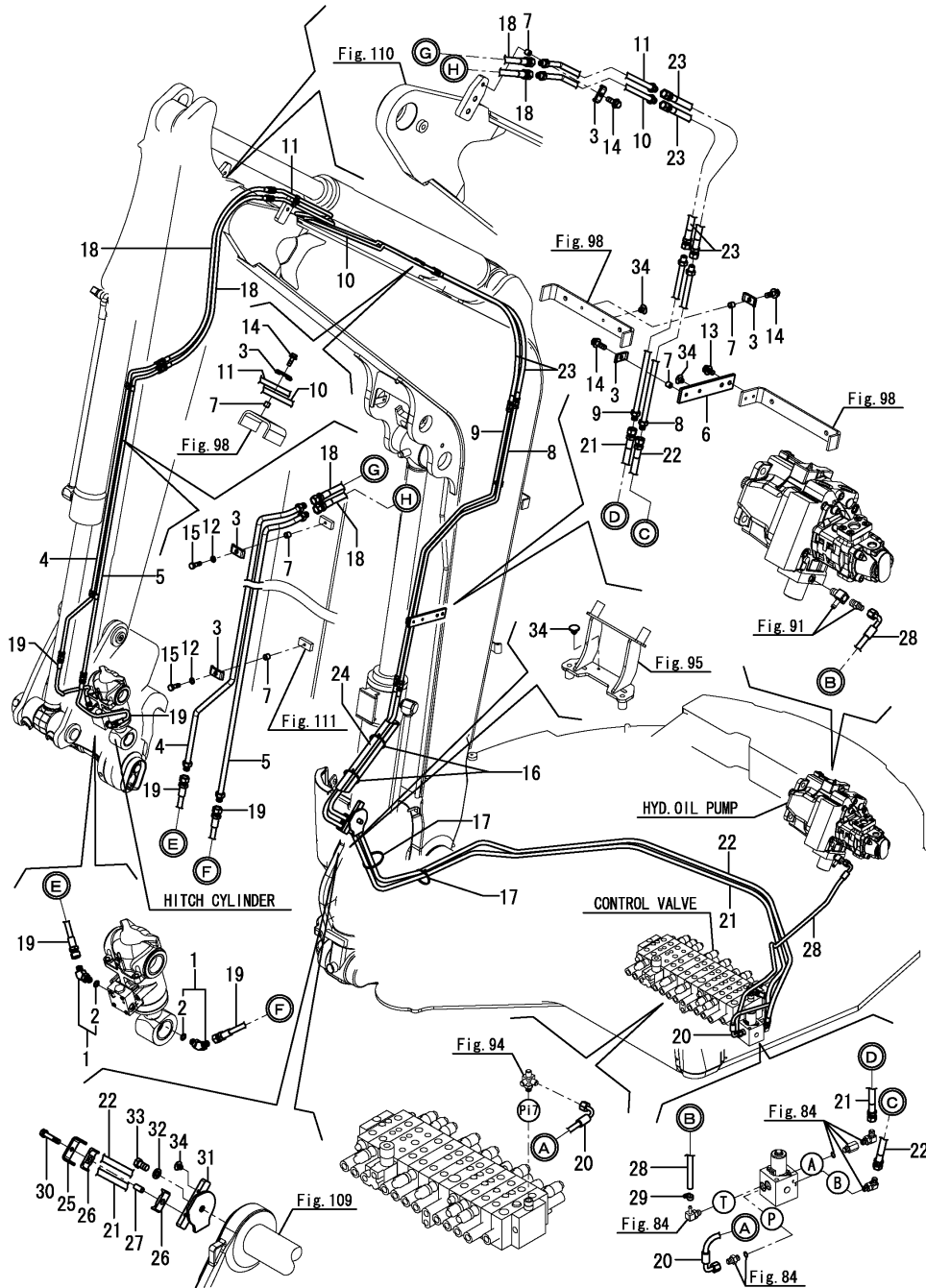
(B)=VIO80(AS)

(C)=VIO80(NZ)

(D)=

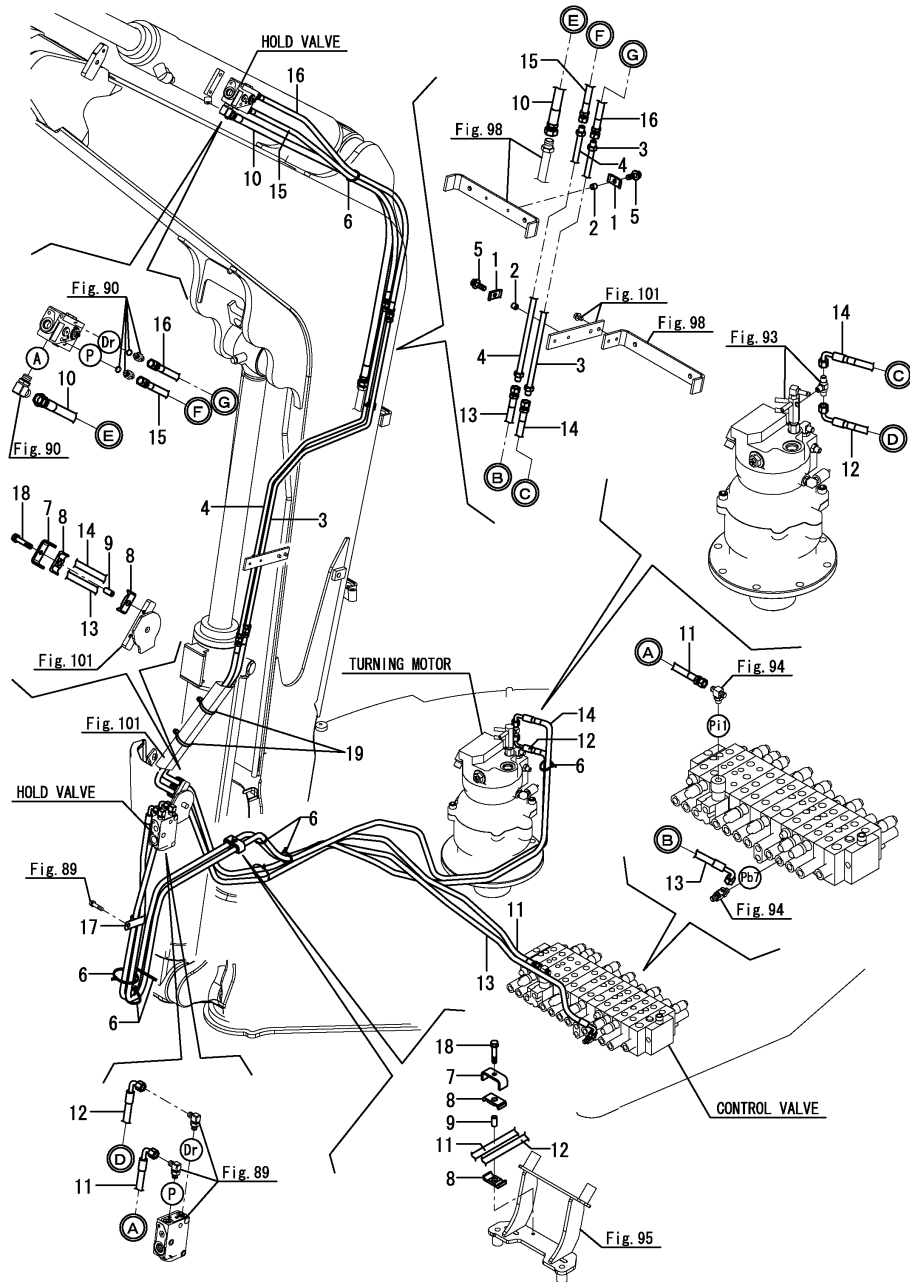
(E)=

(F)=



REF.	LEV.	PARTS NO.	DESCRIPTION	QTY						I	R
				(A)	(B)	(C)	(D)	(E)	(F)		
34	1	172444-17660	CLIP, TREE	4							

Fig.102. HYD.OIL PIPING(HOLD VALVE)



(A)=VIO80(US)

(B)=VIO80(AS)

(C)=VIO80(NZ)

(D)=

(E)=

(F)=

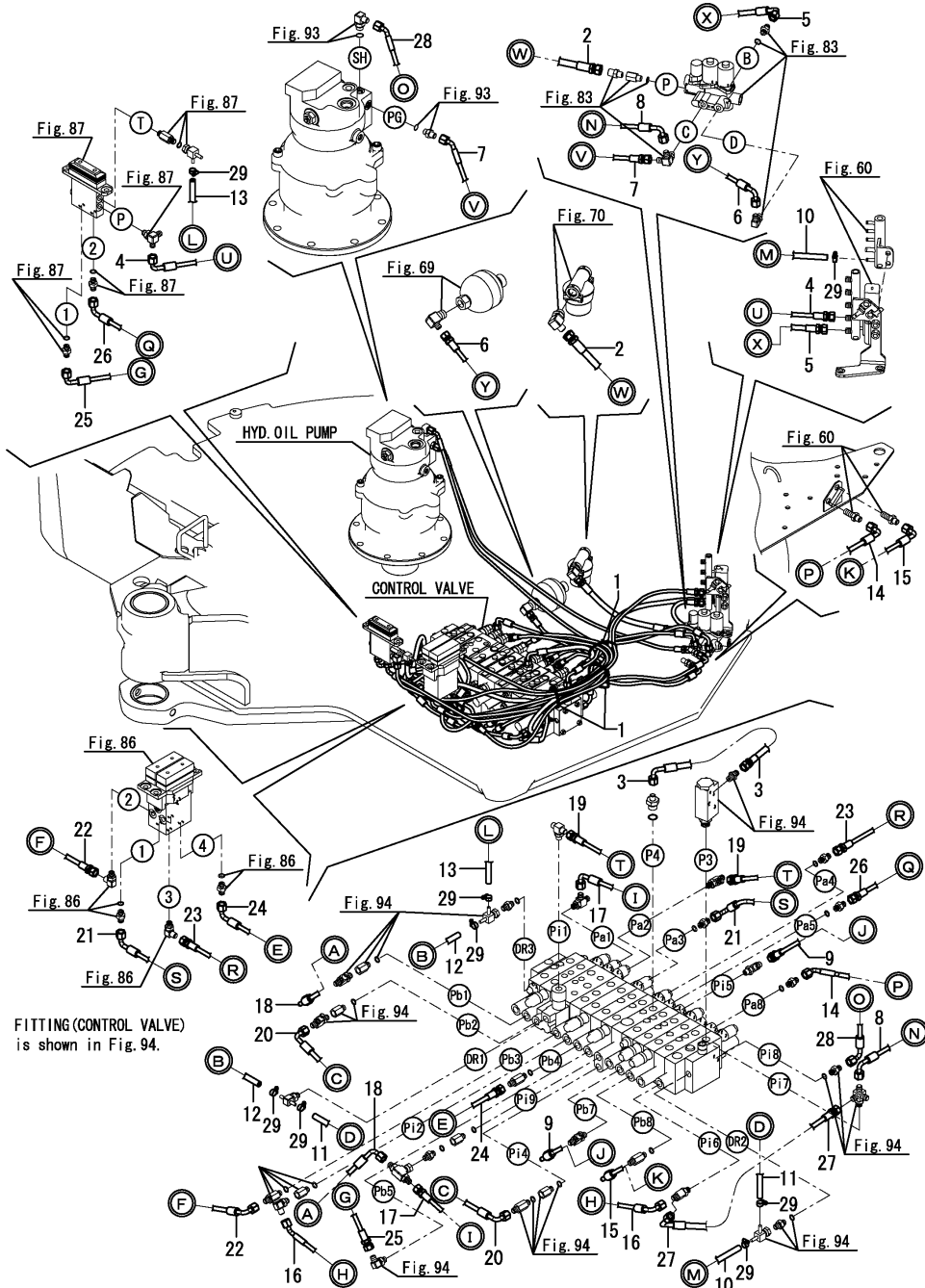
REF.	LEV.	PARTS NO.	DESCRIPTION	QTY						I	R
				(A)	(B)	(C)	(D)	(E)	(F)		
1	1	172110-76170-3	PLATE	2	2	2					
1-1	1	172110-76170	PLATE	2	2	2					R
		(A=MZZZZZ) (B=MZZZZZ) (C=MZZZZZ)									
2	1	172137-76580	COLLAR	2	2	2					
3	1	172A69-77480	TUBE ASSY,HDV L (2J)	1	1	1					
3-1	1	172A69-77480-Y	TUBE ASSY,HDV L	1	1	1					S
		(A=M92001) (B=M92001) (C=M92001)									
4	1	172A69-77500	TUBE ASSY,HDV R (2J)	1	1	1					
4-1	1	172A69-77500-Y	TUBE ASSY,HDV R	1	1	1					S
		(A=M92001) (B=M92001) (C=M92001)									
5	1	26014-080252	BOLT	3	3	3					
6	1	194202-56460	BAND	9	9	9					
7	1	172A69-79200	CLAMP 54X25	2	2	2					
8	1	172A69-79210	RUBBER SUPPORT,HOSE	4	4	4					
9	1	172A69-79220	COLLAR 9X24	2	2	2					
10	1	172A69-79690	HOSE H108BB168K	1	1	1					
11	1	172A69-79700	HOSE H604BC268K	1	1	1					
12	1	172A69-79711	HOSE H604CC285K	1	1	1					
13	1	172A69-79720	HOSE H604BC260K	1	1	1					
14	1	172A69-79730	HOSE H604BC264K	1	1	1					
15	1	172A69-79740	HOSE H604BB131K	1	1	1					
16	1	172A69-79750	HOSE H604BB133K	1	1	1					
17	1	1E6212-82820	CLIP	1	1	1					
18	1	26013-080402	BOLT	2	2	2					
19	1	172126-11510	BAND	2	2	2					

Remarks

* Hold valve kit is shown in Fig.118.

N:Old $\begin{matrix} \text{Yes} \\ \text{No} \end{matrix}$ New, Q:Old $\begin{matrix} \text{No} \\ \text{Yes} \end{matrix}$ New, R:Old $\begin{matrix} \text{Yes} \\ \text{Yes} \end{matrix}$ New, S:Old $\begin{matrix} \text{No} \\ \text{No} \end{matrix}$ New, W:Add, Z:Discontinued, F:Interchangeable by set, K:Q'ty Change

Fig.103. CONTROL PIPING(CONTROL VALVE - SOLENOID VALVE)



OCS10-G55700 103. CONTROL PIPING(CONTROL VALVE - SOLENOID VALVE)

(A)=VIO80(US) (D)=
 (B)=VIO80(AS) (E)=
 (C)=VIO80(NZ) (F)=

REF.	LEV.	PARTS NO.	DESCRIPTION	QTY						I	R
				(A)	(B)	(C)	(D)	(E)	(F)		
1	1	194202-56460	BAND	5	5	5					
2	1	172A69-78190	HOSE H604BB036S	1	1	1					
3	1	172A69-78370	HOSE H104BC034	1	1	1					
4	1	172A69-78860	HOSE F403BC148	1	1	1					
5	1	172A69-78870	HOSE H604BC026	1	1	1					
6	1	172A69-78880	HOSE F403BC059S	1	1	1					
7	1	172A69-78890	HOSE F403BE120S	1	1	1					
8	1	172A69-78910	HOSE F403CC067	1	1	1					
9	1	172A69-78920	HOSE F403BC083	1	1	1					
10	1	172A69-78930	HOSE G804YY115S	1	1	1					
11	1	172A69-78940	HOSE G804YY045S	1	1	1					
12	1	172A69-78950	HOSE G804YY017S	1	1	1					
13	1	172A69-78960	HOSE G804YY034	1	1	1					
14	1	172A69-78980	HOSE H603CE042	1	1	1					
15	1	172A69-78990	HOSE F403CC090	1	1	1					
16	1	172A69-79400	HOSE F403CE027	1	1	1					
17	1	172A69-79410	HOSE F403BE113	1	1	1					
18	1	172A69-79420	HOSE H603CC035	1	1	1					
19	1	172A69-79430	HOSE F403BB117	1	1	1					
20	1	172A69-79440	HOSE H603CC022	1	1	1					
21	1	172A69-79450	HOSE F403CC115	1	1	1					
22	1	172A69-79460	HOSE H603BC026	1	1	1					
23	1	172A69-79470	HOSE F403BB115	1	1	1					
24	1	172A69-79481	HOSE H603BC036	1	1	1					
25	1	172A69-79501	HOSE F403BC042	1	1	1					
26	1	172A69-79511	HOSE F403BC133	1	1	1					
27	1	172A69-79520	HOSE H603BC023	1	1	1					
28	1	172A69-79530	HOSE F403CE135S	1	1	1					
29	1	23000-013000	CLAMP 13	8	8	8					

Fig.104. CONTROL PIPING(CONTROL VALVE - 2-WAY VAVLE)

(A)=VIO80(US)

(B)=VIO80(AS)

(C)=VIO80(NZ)

(D)=

(E)=

(F)=

REF.	LEV.	PARTS NO.	DESCRIPTION	QTY						I	R
				(A)	(B)	(C)	(D)	(E)	(F)		
1	1	194202-56460	BAND	1	1	1					
2	1	172A69-79800	HOSE H603BE030	1	1	1					
3	1	172A69-79810	HOSE F403BE075	1	1	1					
4	1	172A69-79820	HOSE F403BE079	1	1	1					
5	1	172A69-79830	HOSE F403BE112	1	1	1					
6	1	172A69-79840	HOSE F403BC040	1	1	1					
7	1	172A69-79850	HOSE F403BC082	1	1	1					
8	1	172A69-79860	HOSE F403BB081	1	1	1					
9	1	172A69-79870	HOSE F403BB071	1	1	1					

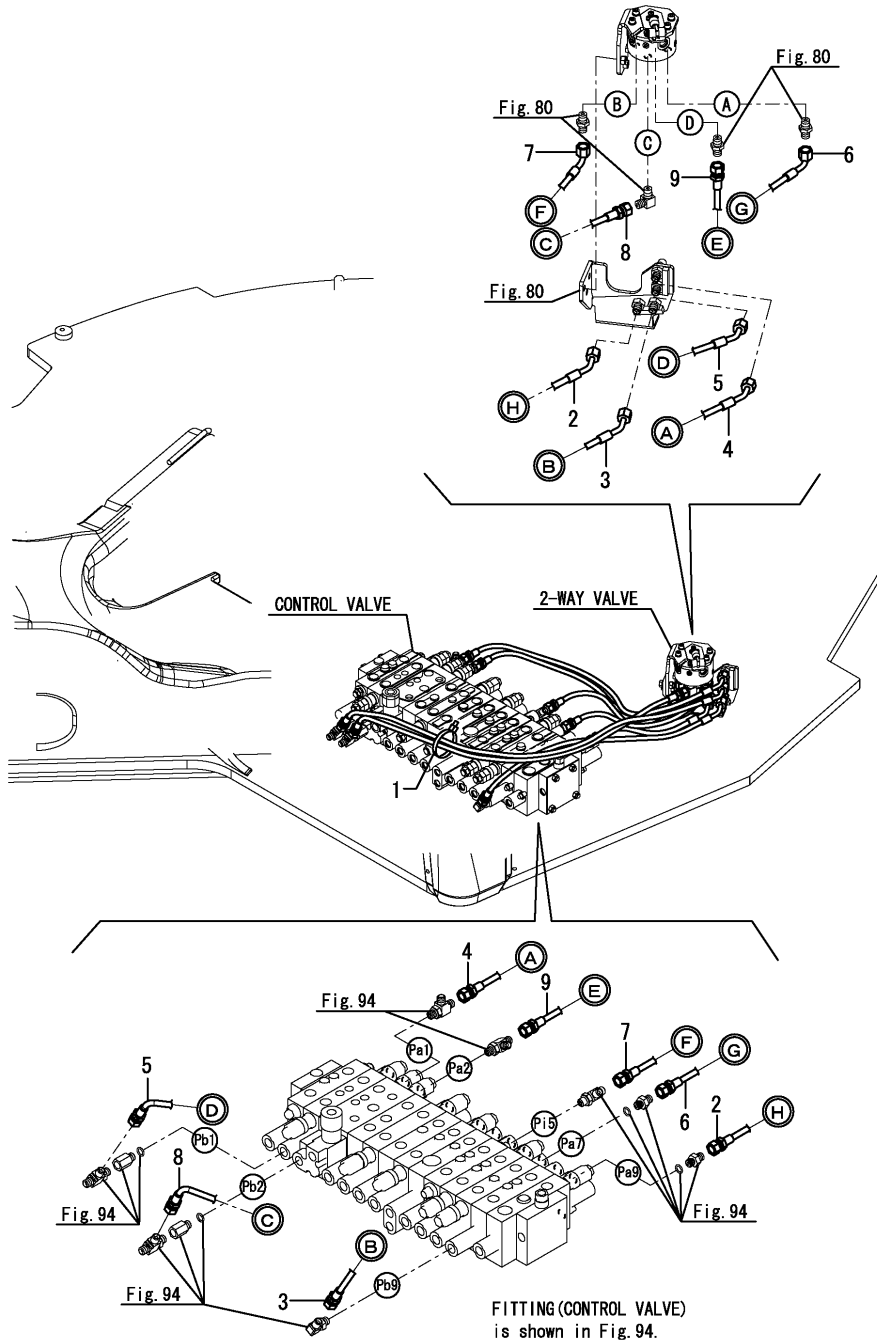
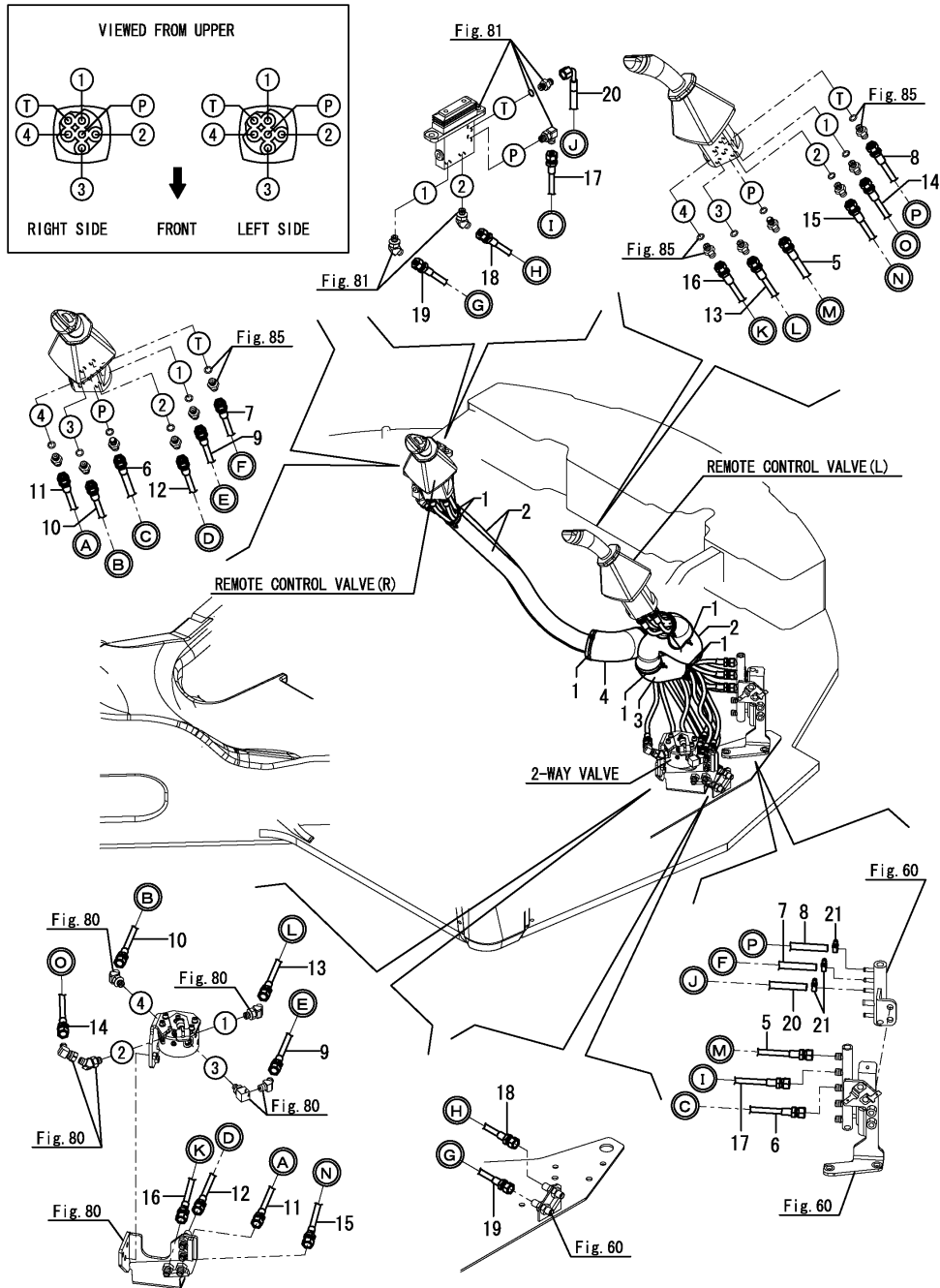


Fig.105. CONTROL PIPING(2-WAY VALVE - REMOTE CONTROL VALVE)



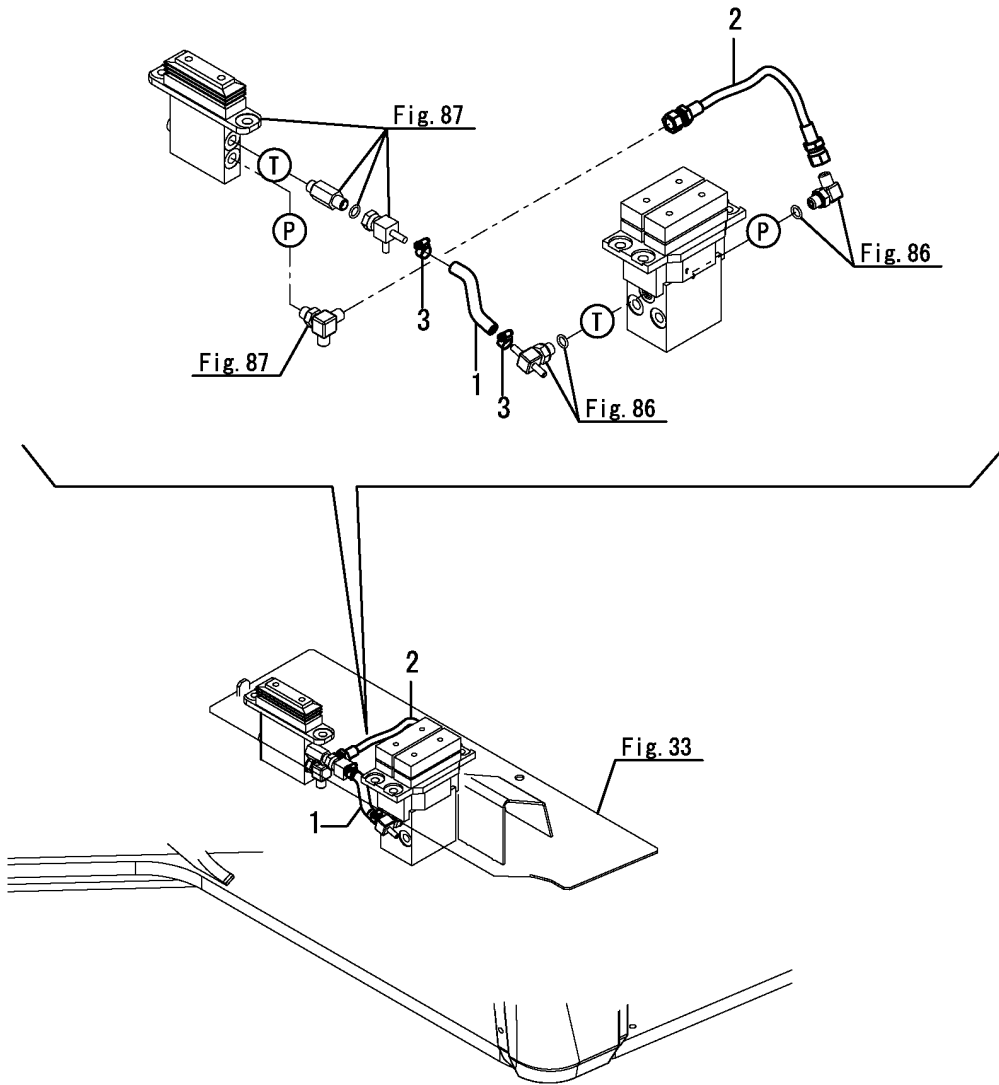
(A)=VIO80(US) (D)=
 (B)=VIO80(AS) (E)=
 (C)=VIO80(NZ) (F)=

REF.	LEV.	PARTS NO.	DESCRIPTION	QTY						I	R
				(A)	(B)	(C)	(D)	(E)	(F)		
1	1	172126-11510	BAND 300	11	11	11					
2	1	172A69-78630	HOSE COVER,650	3	3	3					
3	1	172A69-78650	SPONGE HOSE,150X44	1	1	1					
4	1	172A69-78660	SPONGE HOSE,150X53	1	1	1					
5	1	172A69-78700	HOSEH603BB106	1	1	1					
6	1	172A69-78710	HOSE H603BB092	1	1	1					
7	1	172A69-78720	HOSE G804BY120	1	1	1					
8	1	172A69-78730	HOSE G804BY095	1	1	1					
9	1	172A69-78740	HOSE H603BB134	1	1	1					
10	1	172A69-78750	HOSE H603BB123	1	1	1					
11	1	172A69-78760	HOSE H603BB130	1	1	1					
12	1	172A69-78770	HOSE H603BB126	1	1	1					
13	1	172A69-78780	HOSE H603BB104	1	1	1					
14	1	172A69-78790	HOSE H603BB103	1	1	1					
15	1	172A69-78800	HOSE H603BB106	1	1	1					
16	1	172A69-78810	HOSE H603BB105	1	1	1					
17	1	172A69-78820	HOSE F403BB103	1	1	1					
18	1	172A69-78830	HOSE H603BB116	1	1	1					
19	1	172A69-78840	HOSE H603BB114	1	1	1					
20	1	172A69-78850	HOSE G804CY110	1	1	1					
21	1	23000-013000	CLAMP 13	3	3	3					

Fig.106. CONTROL PIPING(TRAVEL, SWING PEDAL)

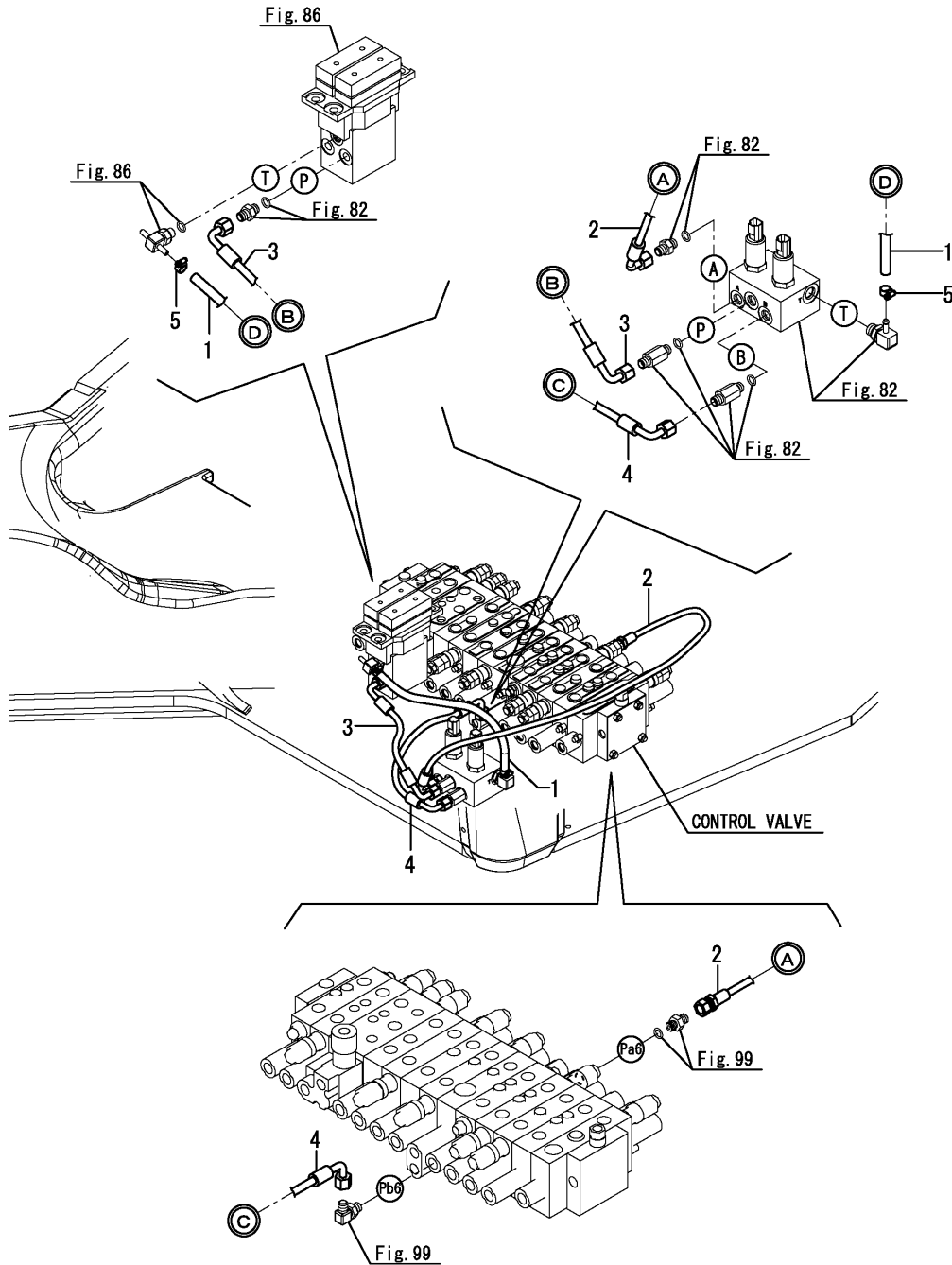
(A)=VIO80(US)
 (B)=VIO80(AS)
 (C)=VIO80(NZ)

(D)=
 (E)=
 (F)=



REF.	LEV.	PARTS NO.	DESCRIPTION	QTY						I	R
				(A)	(B)	(C)	(D)	(E)	(F)		
1	1	172A69-78970	HOSE G804YY010	1	1	1					
2	1	172A69-79490	HOSE H603BB020	1	1	1					
3	1	23000-013000	CLAMP 13	2	2	2					

Fig.107. CONTROL PIPING(P.T.O.)



OCS10-G55700 107. CONTROL PIPING(P.T.O.)

(A)=VIO80(US)
 (B)=VIO80(AS)
 (C)=VIO80(NZ)

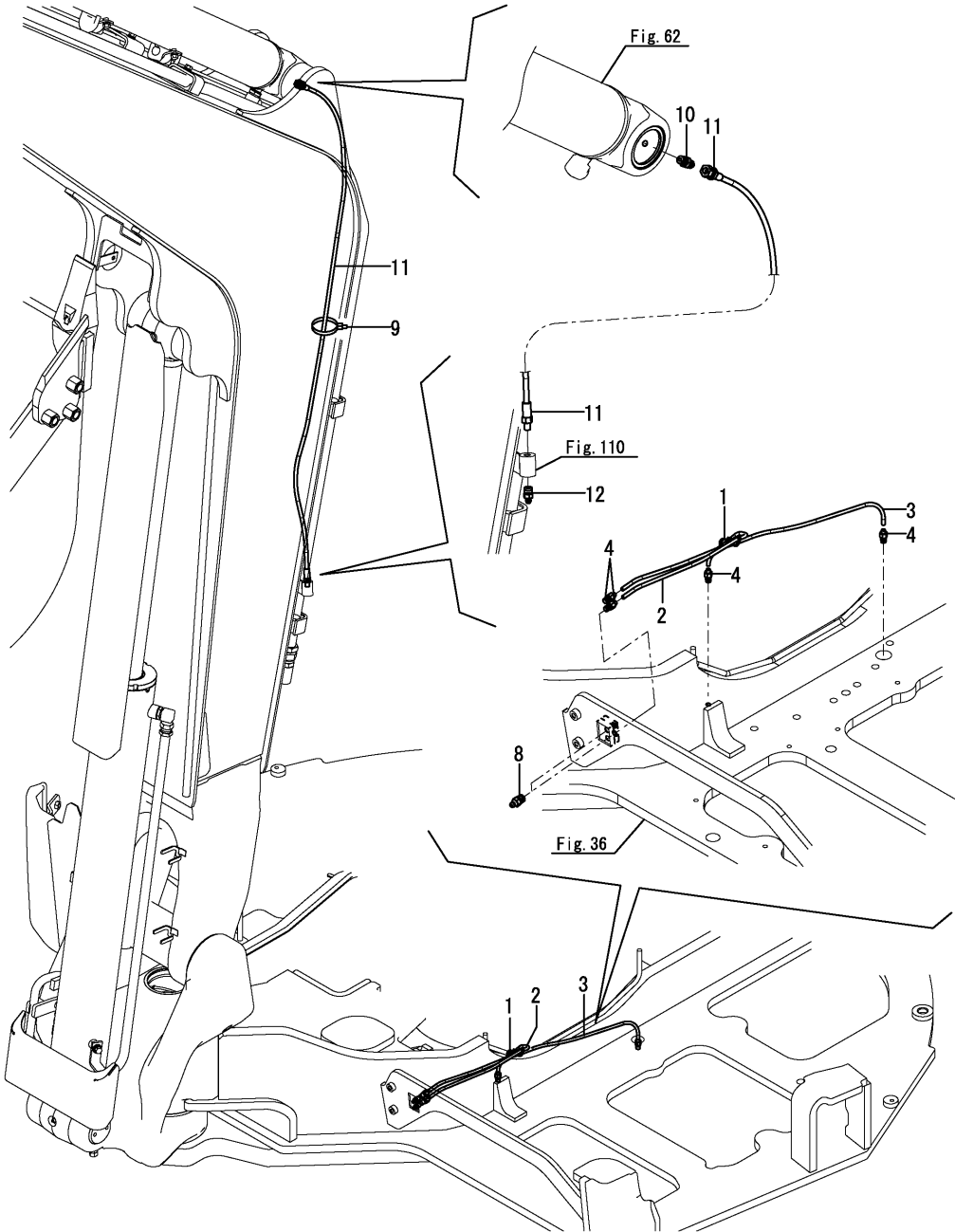
(D)=
 (E)=
 (F)=

REF.	LEV.	PARTS NO.	DESCRIPTION	QTY						I	R
				(A)	(B)	(C)	(D)	(E)	(F)		
1	1	172A69-79540	HOSE G804YY036	1	1	1					
2	1	172A69-79550	HOSE F403BC105	1	1	1					
3	1	172A69-79560	HOSE H603CC023	1	1	1					
4	1	172A69-79570	HOSE H603CC030	1	1	1					
5	1	23000-013000	CLAMP 13	2	2	2					

Fig.108. GREASING

(A)=VIO80(US)
 (B)=VIO80(AS)
 (C)=VIO80(NZ)

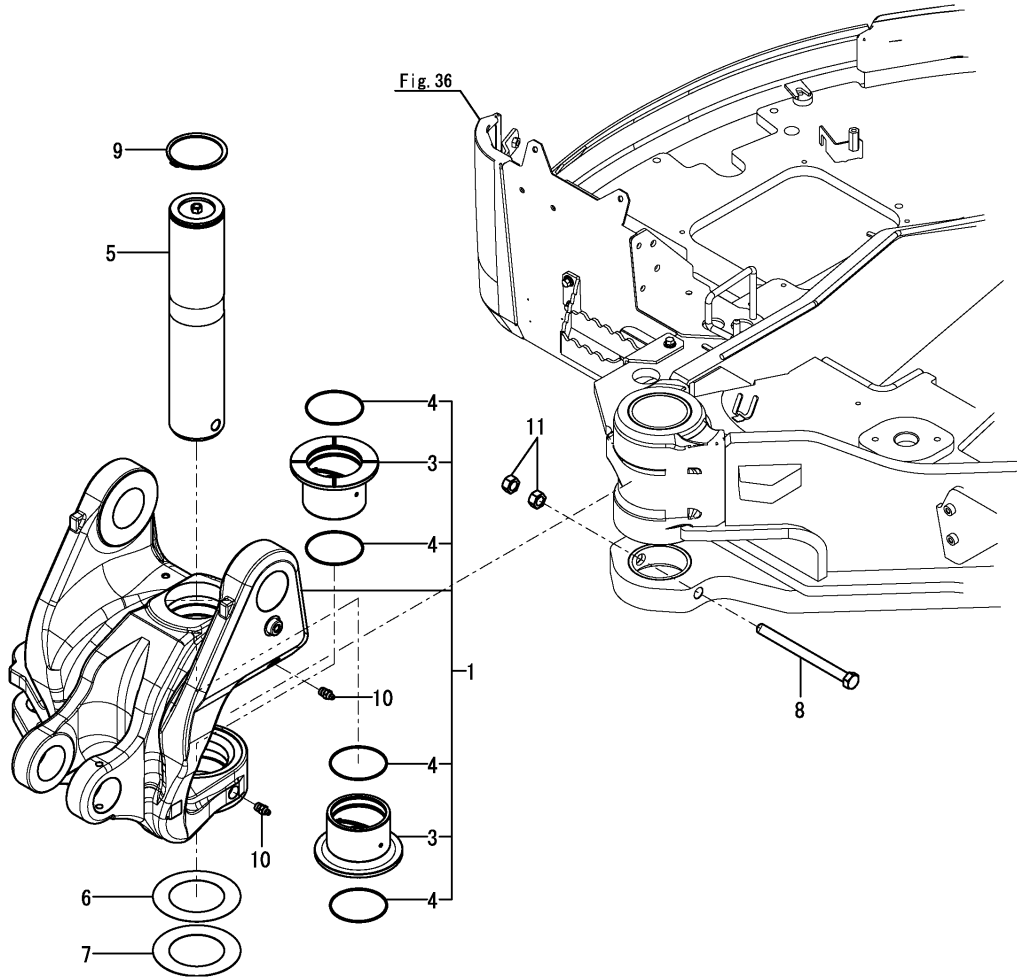
(D)=
 (E)=
 (F)=



REF.	LEV.	PARTS NO.	DESCRIPTION	QTY						I	R
				(A)	(B)	(C)	(D)	(E)	(F)		
1	1	172137-16560	BAND	1	1	1					
2	1	172A89-77800	HOSE P602YY045	1	1	1					
3	1	172A89-77810	HOSE P602YY075	1	1	1					
4	1	172A47-77820	JOINT,GREASE	4	4	4					
8	1	24761-020000	NIPPLE PT1/8,GREASE	2	2	2					
9	1	194202-56460	BAND	1	1	1					
10	1	172112-77580	JOINT 1/8	1	1	1					
11	1	172A89-77820	HOSE P202AF145	1	1	1					
12	1	24761-020000	NIPPLE PT1/8,GREASE	1	1	1					

Blank space for additional parts or notes.

Fig.109. BOOM BRACKET



OCS10-G55700 109. BOOM BRACKET

(A)=VIO80(US)
 (B)=VIO80(AS)
 (C)=VIO80(NZ)

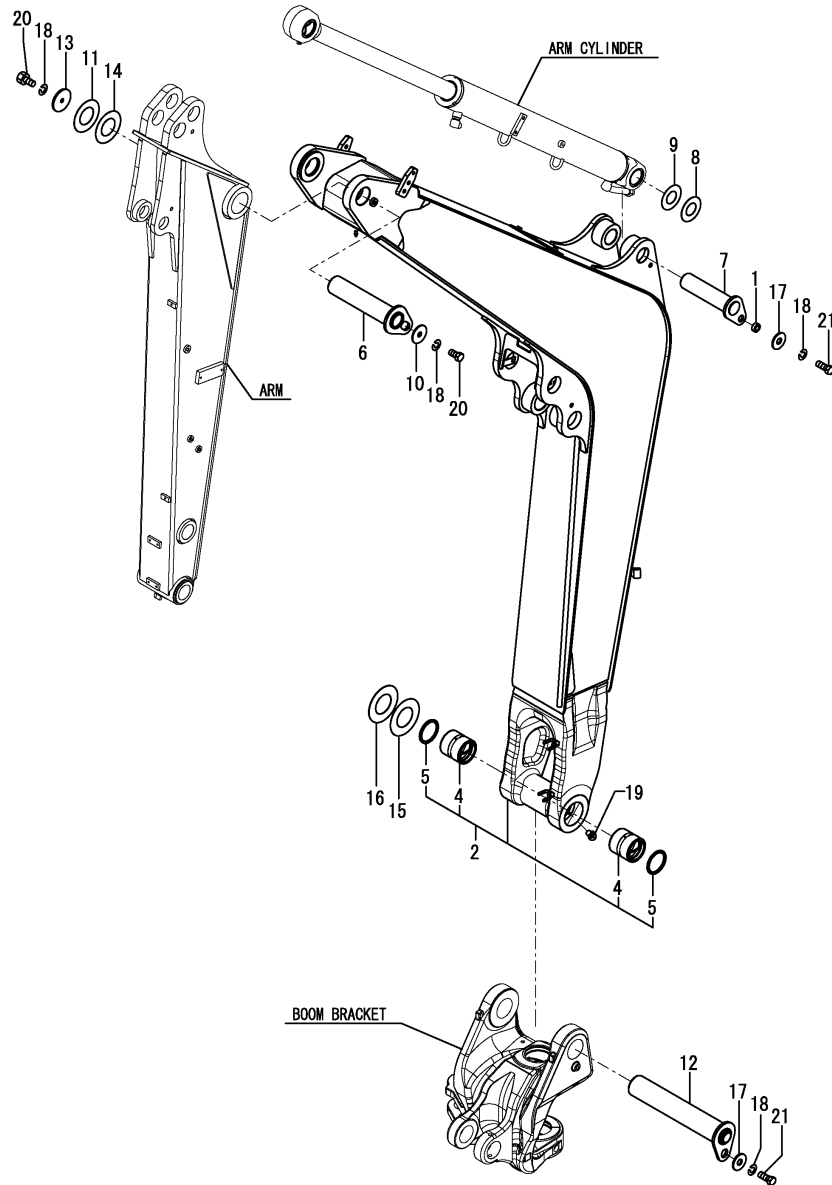
(D)=
 (E)=
 (F)=

REF.	LEV.	PARTS NO.	DESCRIPTION	QTY						I	R
				(A)	(B)	(C)	(D)	(E)	(F)		
1	1	172A89-82300	BRACKET ASSY,BOOM(2J	1	1	1					
1-1	1	172A89-82300-Y	BRACKET ASSY,BOOM	1	1	1					S
		(A=M92001) (B=M92001) (C=M92001)									
3	2	172A89-82320	BUSH, 100X90	2	2	2					
4	2	24321-001000	O-RING	4	4	4					
5	1	172187-82330	PIN ASSY	1	1	1					
6	1	172187-82400	SHIM	1	1	1					
7	1	172187-82410	SHIM	1	1	1					
8	1	172187-82420	BOLT	1	1	1					
9	1	22242-001000	RING	1	1	1					
10	1	24761-020000	NIPPLE, GREASE	2	2	2					
11	1	26716-180002	NUT	2	2	2					

Fig.110. BOOM

(A)=VIO80(US)
(B)=VIO80(AS)
(C)=VIO80(NZ)

(D)=
(E)=
(F)=



REF.	LEV.	PARTS NO.	DESCRIPTION	QTY						I	R
				(A)	(B)	(C)	(D)	(E)	(F)		
1	1	172155-45790	SPACER	1	1	1					
2	1	172A89-81100	BOOM ASSY,EX (2J)	1	1	1					1
2-1	1	172A89-81100-Y	BOOM ASSY,EX	1	1	1					S 1
		(A=M92001)	(B=M92001)	(C=M92001)							
4	2	172A52-81352	BUSH	2	2	2					
5	2	172162-81430	SEAL, DUST	2	2	2					
6	1	172499-81750	PIN ASSY	1	1	1					
7	1	172187-81840	PIN ASSY	1	1	1					
8	1	172499-81850	SHIM	1	1	1					
9	1	172499-81860	SHIM	1	1	1					
10	1	172187-81970	WASHER	1	1	1					
11	1	172445-81990	SHIM	1	1	1					
12	1	172187-82340	PIN ASSY	1	1	1					
13	1	172187-82430	WASHER	1	1	1					
14	1	172162-83580	SHIM	1	1	1					
15	1	172162-83600	SHIM	1	1	1					
16	1	172162-83610	SHIM	1	1	1					
17	1	22157-140000	WASHER	2	2	2					
18	1	22217-140000	WASHER, SPRING	4	4	4					
19	1	24761-040000	NIPPLE, GREASE	2	2	2					
20	1	26116-140252	BOLT	2	2	2					
21	1	26116-140352	BOLT	2	2	2					
22A	1	172187-03941	LABEL, BOOM US	2	2	2					2

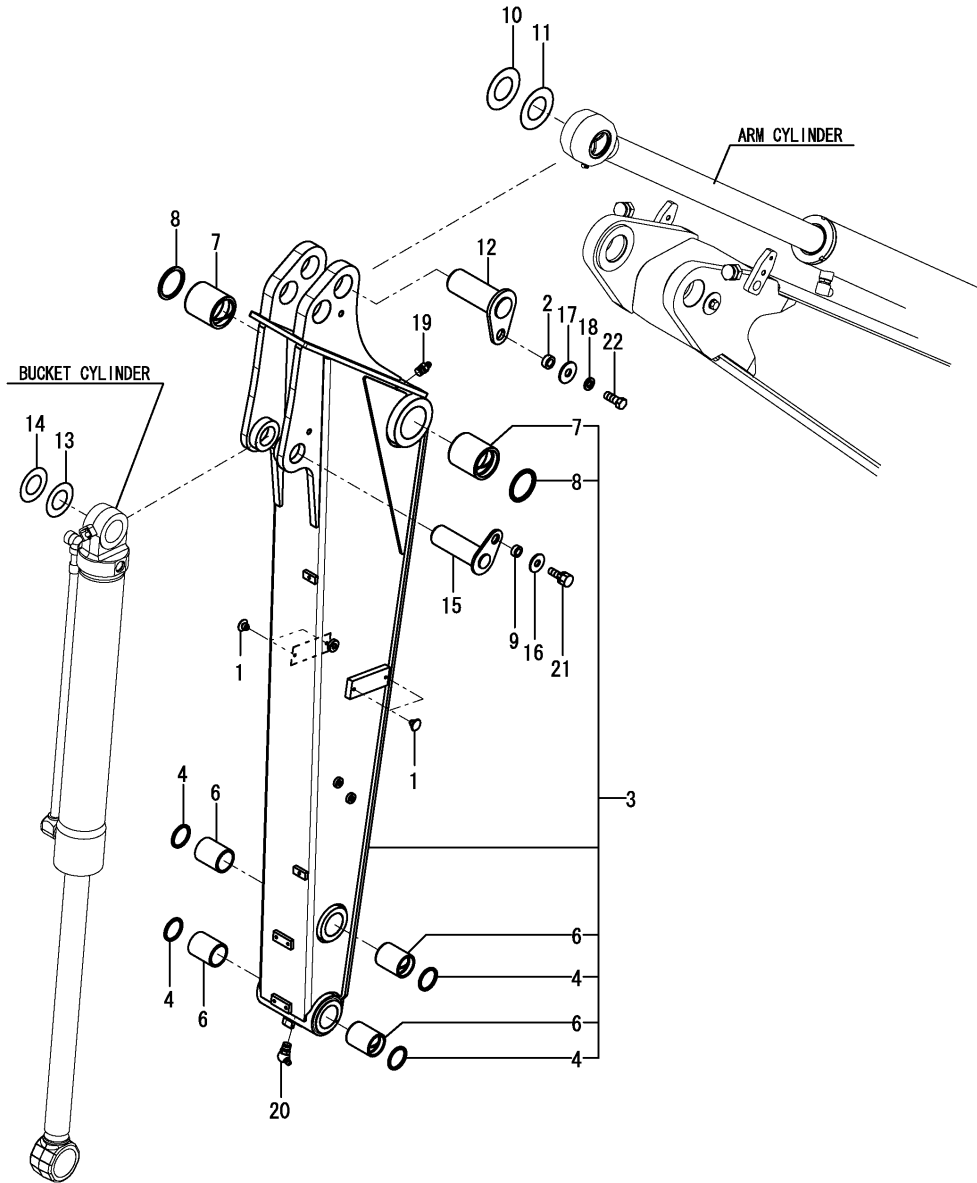
Remarks

- (1)PLEASE USE THIS PART WITH FOLLOWING LABEL AT THE SAME TIME. REF.NO.22A.
- (2)LABEL IS NOT ILLUSTRATED.

Fig.111. ARM

(A)=VIO80(US)
(B)=VIO80(AS)
(C)=VIO80(NZ)

(D)=
(E)=
(F)=



REF.	LEV.	PARTS NO.	DESCRIPTION	QTY						I	R
				(A)	(B)	(C)	(D)	(E)	(F)		
1	1	172444-17660	CLIP, TREE	4	4	4					
2	1	172155-45790	SPACER	1	1	1					
3	1	172A89-81470	ARM ASSY,1650 EX(2J)	1	1	1					1
3-1	1	172A89-81470-Y (A=M92001) (B=M92001) (C=M92001)	ARM ASSY,1650 EX	1	1	1					S 1
4	2	172448-54120	SEAL, DUST	4	4	4					
6	2	172187-81710	BUSH	4	4	4					
7	2	172162-82280	BUSH	2	2	2					
8	2	172162-82350	SEAL, DUST	2	2	2					
9	1	172164-81670	SPACER	1	1	1					
10	1	172175-81700	SHIM	1	1	1					
11	1	172175-81710	SHIM	1	1	1					
12	1	172187-81861	PIN	1	1	1					
13	1	172165-82520	SHIM	1	1	1					
14	1	172165-82530	SHIM	1	1	1					
15	1	172458-83650	PIN ASSY	1	1	1					
16	1	22157-120000	WASHER	1	1	1					
17	1	22157-140000	WASHER	1	1	1					
18	1	22217-140000	WASHER, SPRING	1	1	1					
19	1	24761-020000	NIPPLE, GREASE	1	1	1					
20	1	24761-040000	NIPPLE, GREASE	1	1	1					
21	1	26013-120302	BOLT	1	1	1					
22	1	26116-140352	BOLT	1	1	1					
23A	1	172472-03261	LABEL, FINGER	1	1	1					2
23B	1	172472-03330	LABEL, LOCK PIN	1	1	1					2

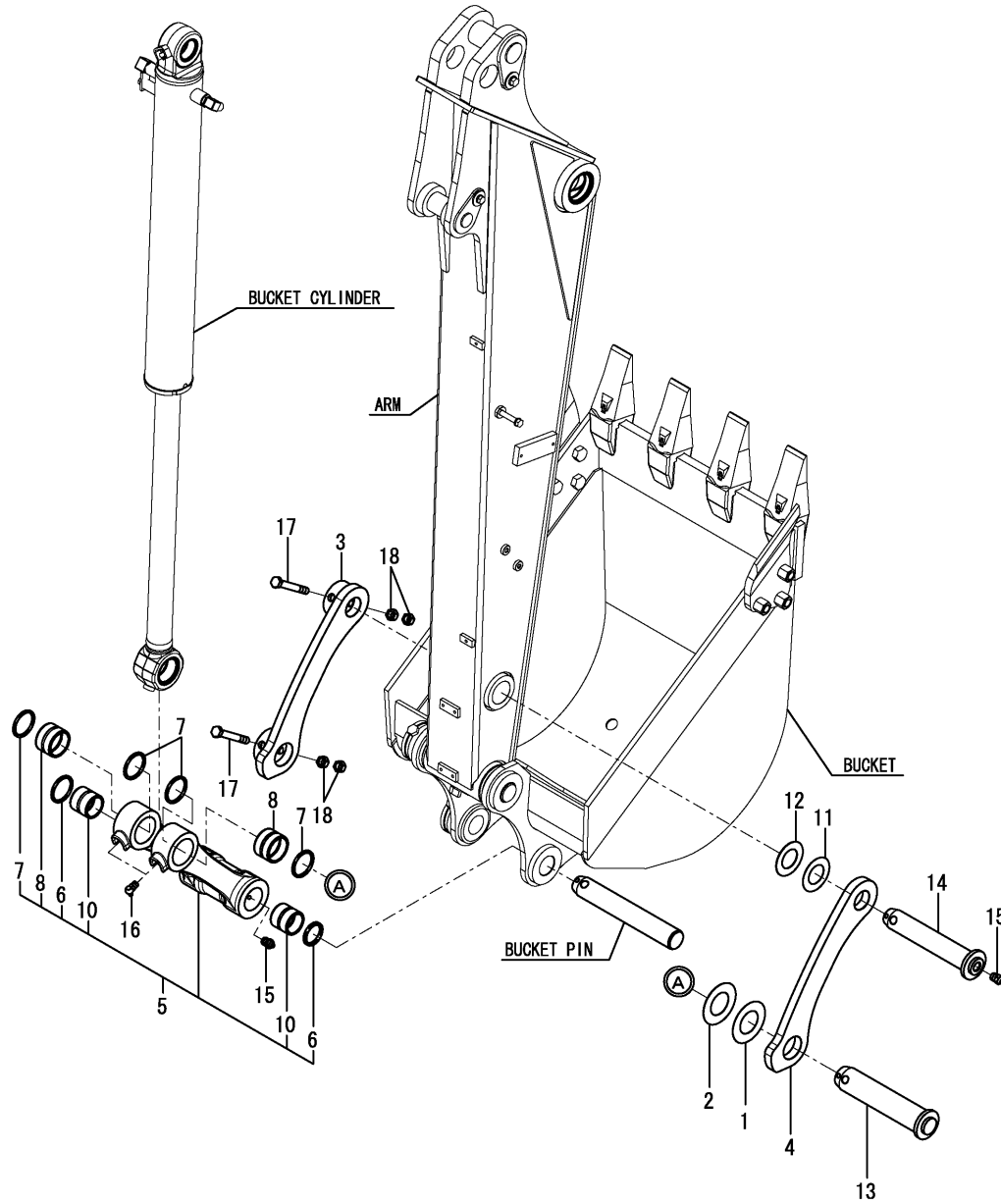
Remarks

- (1)PLEASE USE THIS PART WITH FOLLOWING LABEL AT THE SAME TIME. REF.NO.23A, 23B.
- (2)LABEL IS NOT ILLUSTRATED.

Fig.112. BUCKET ARM & LINK

(A)=VIO80(US)
 (B)=VIO80(AS)
 (C)=VIO80(NZ)

(D)=
 (E)=
 (F)=

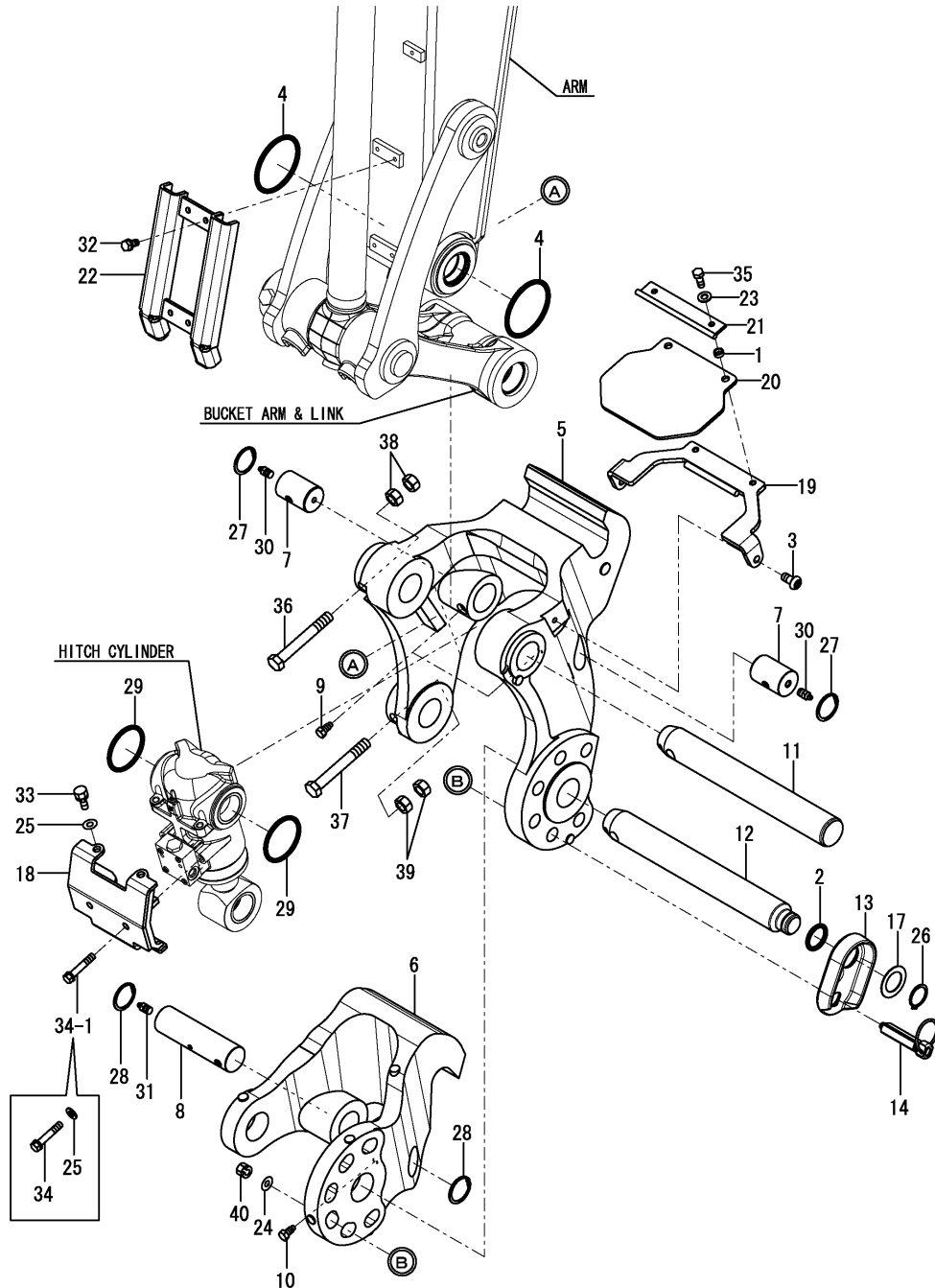


REF.	LEV.	PARTS NO.	DESCRIPTION	QTY						I	R
				(A)	(B)	(C)	(D)	(E)	(F)		
1	1	172175-81700	SHIM	1	1	1					
2	1	172175-81710	SHIM	1	1	1					
3	1	172455-82380-2	ARM, BUCKET	1	1	1					
3-1	1	172455-82380-Y (A=M92001) (B=M92001) (C=M92001)	ARM, BUCKET	1	1	1					S
4	1	172455-82391-2	ARM, BUCKET	1	1	1					
4-1	1	172455-82391-Y (A=M92001) (B=M92001) (C=M92001)	ARM, BUCKET	1	1	1					S
5	1	172499-82400-1	LINK, BUCKET	1	1	1					
5-1	1	172499-82400-Y (A=M92001) (B=M92001) (C=M92001)	LINK, BUCKET	1	1	1					S
6	2	172448-54120	SEAL, DUST	2	2	2					
7	2	172168-54760	SEAL, DUST	4	4	4					
8	2	172455-82360	BUSH	2	2	2					
10	2	172187-83040	BUSH	2	2	2					
11	1	172165-82520	SHIM	1	1	1					
12	1	172165-82530	SHIM	1	1	1					
13	1	172455-83350	PIN ASSY	1	1	1					
14	1	172455-83360	PIN ASSY	1	1	1					
15	1	24761-020000	NIPPLE, GREASE	3	3	3					
16	1	24761-050000	NIPPLE, GREASE	2	2	2					
17	1	26116-161202	BOLT	2	2	2					
18	1	26716-160002	NUT	4	4	4					

Fig.113. QUICK CUPLER

(A)=VIO80(US)
(B)=VIO80(AS)
(C)=VIO80(NZ)

(D)=
(E)=
(F)=



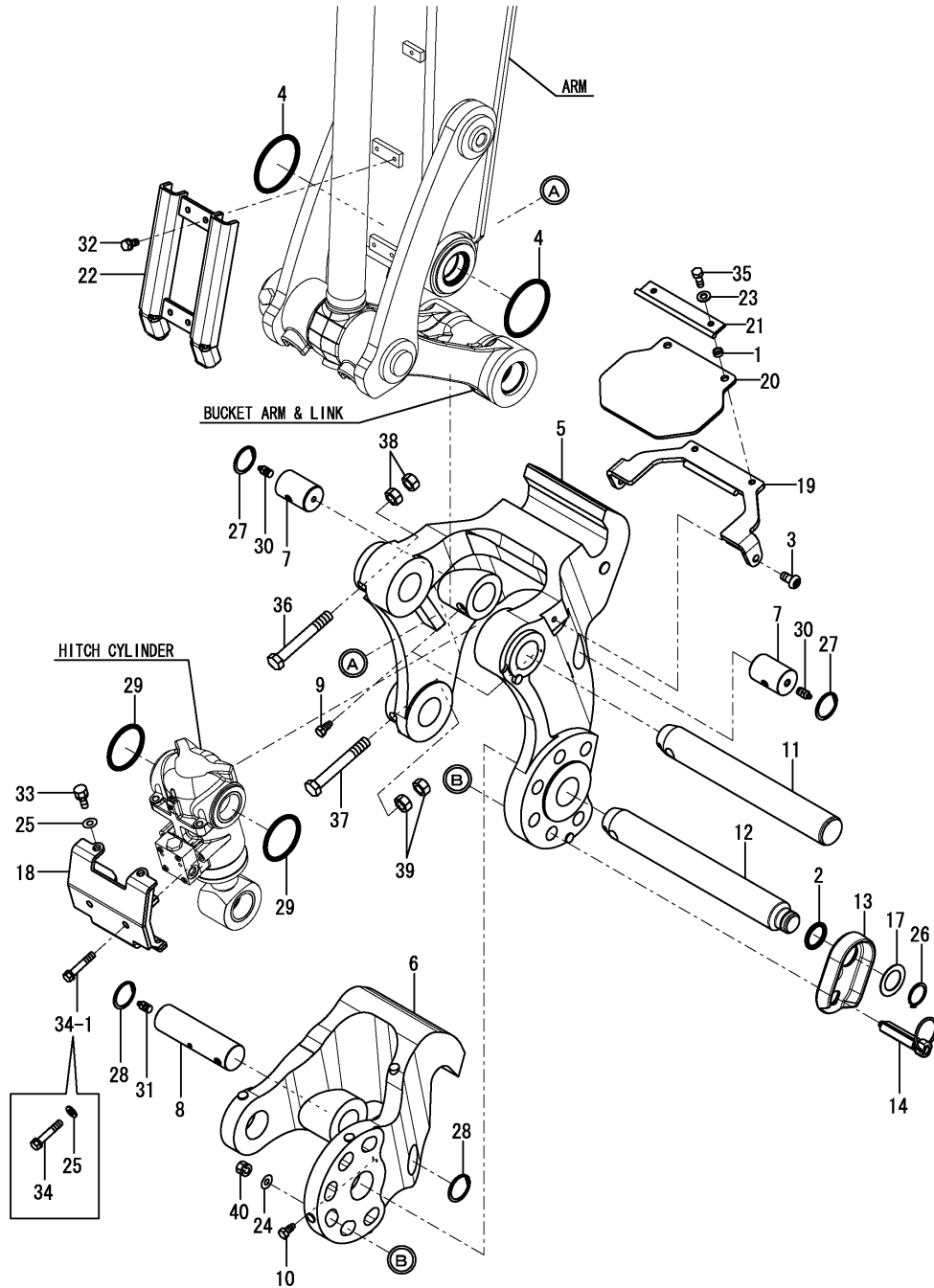
REF.	LEV.	PARTS NO.	DESCRIPTION	QTY						I	R
				(A)	(B)	(C)	(D)	(E)	(F)		
1	1	172958-17121	COLLER 9X4	2	2	2					
2	1	172124-46200	O-RING	1	1	1					
3	1	172455-61720	BOLT	2	2	2					
4	1	172162-82360	O-RING	2	2	2					
5	1	172978-83101-2	BRACKET A(YELLOW:2J)	1	1	1					
5-1	1	172978-83101-Y	BRACKET A	1	1	1					S
		(A=M92001) (B=M92001) (C=M92001)									
6	1	172978-83111-2	BRACKET B(YELLOW:2J)	1	1	1					
6-1	1	172978-83111-Y	BRACKET B	1	1	1					S
		(A=M92001) (B=M92001) (C=M92001)									
7	1	172978-83120	PIN 45X65	2	2	2					
8	1	172978-83130	PIN 45X161	1	1	1					
9	1	172978-83140	BOLT	2	2	2					
10	1	172978-83140	BOLT	1	1	1					
11	1	172978-83150	PIN 50X345	1	1	1					
12	1	172978-83161	PIN 50X373	1	1	1					
13	1	172978-83170-2	PLATE,LOCK(YELLOW:2J)	1	1	1					
13-1	1	172978-83170-Y	PLATE,LOCK	1	1	1					S
		(A=M92001) (B=M92001) (C=M92001)									
14	1	172978-83191	PIN,LOCK	1	1	1					
17	1	172960-83210	COLLAR	1	1	1					
18	1	172978-83221-2	COVER,HITCH(YELLOW2J)	1	1	1					
18-1	1	172978-83221-Y	COVER,HITCH	1	1	1					S
		(A=M92001) (B=M92001) (C=M92001)									
19	1	172978-83270-2	GUARD (YELLOW:2J)	1	1	1					
19-1	1	172978-83270-Y	GUARD	1	1	1					S
		(A=M92001) (B=M92001) (C=M92001)									
20	1	172978-83292	PLATE,RUBBER	1	1	1					
21	1	172978-83300-2	PLATE (YELLOW:2J)	1	1	1					
21-1	1	172978-83300-Y	PLATE	1	1	1					S
		(A=M92001) (B=M92001) (C=M92001)									
22	1	172978-83320-2	COVER,ARM(YELLOW:2J)	1	1	1					
22-1	1	172978-83320-Y	COVER,ARM	1	1	1					S
		(A=M92001) (B=M92001) (C=M92001)									
23	1	22137-080000	WASHER	2	2	2					
24	1	22137-100000	WASHER	1	1	1					
25	1	22137-100000	WASHER	4	4	4					
25-1	1	22137-100000	WASHER	2	2	2					K
		(A=MZZZZZ) (B=MZZZZZ) (C=MZZZZZ)									
26	1	22242-000350	RING	1	1	1					
27	1	22252-000450	RING	2	2	2					
28	1	22252-000450	RING	2	2	2					
29	1	24311-000700	O-RING	2	2	2					
30	1	24761-020000	NIPPLE, GREASE	2	2	2					
31	1	24761-020000	NIPPLE, GREASE	1	1	1					
32	1	26013-080162	BOLT	4	4	4					
33	1	26013-100252	BOLT	2	2	2					
34	1	26013-100552	BOLT	2	2	2					
34-1	1	26013-100502	BOLT	2	2	2					N
		(A=MZZZZZ) (B=MZZZZZ) (C=MZZZZZ)									
35	1	26116-080202	BOLT	2	2	2					

N:Old $\frac{Yes}{No}$ New, Q:Old $\frac{No}{Yes}$ New, R:Old $\frac{Yes}{Yes}$ New, S:Old $\frac{No}{No}$ New, W:Add, Z:Discontinued, F:Interchangeable by set, K:Q'ty Change
 ++ CONTINUE ++
 (C)Copyrights YANMAR CO.,LTD.

Fig.113. QUICK CUPLER

(A)=VIO80(US)
 (B)=VIO80(AS)
 (C)=VIO80(NZ)

(D)=
 (E)=
 (F)=

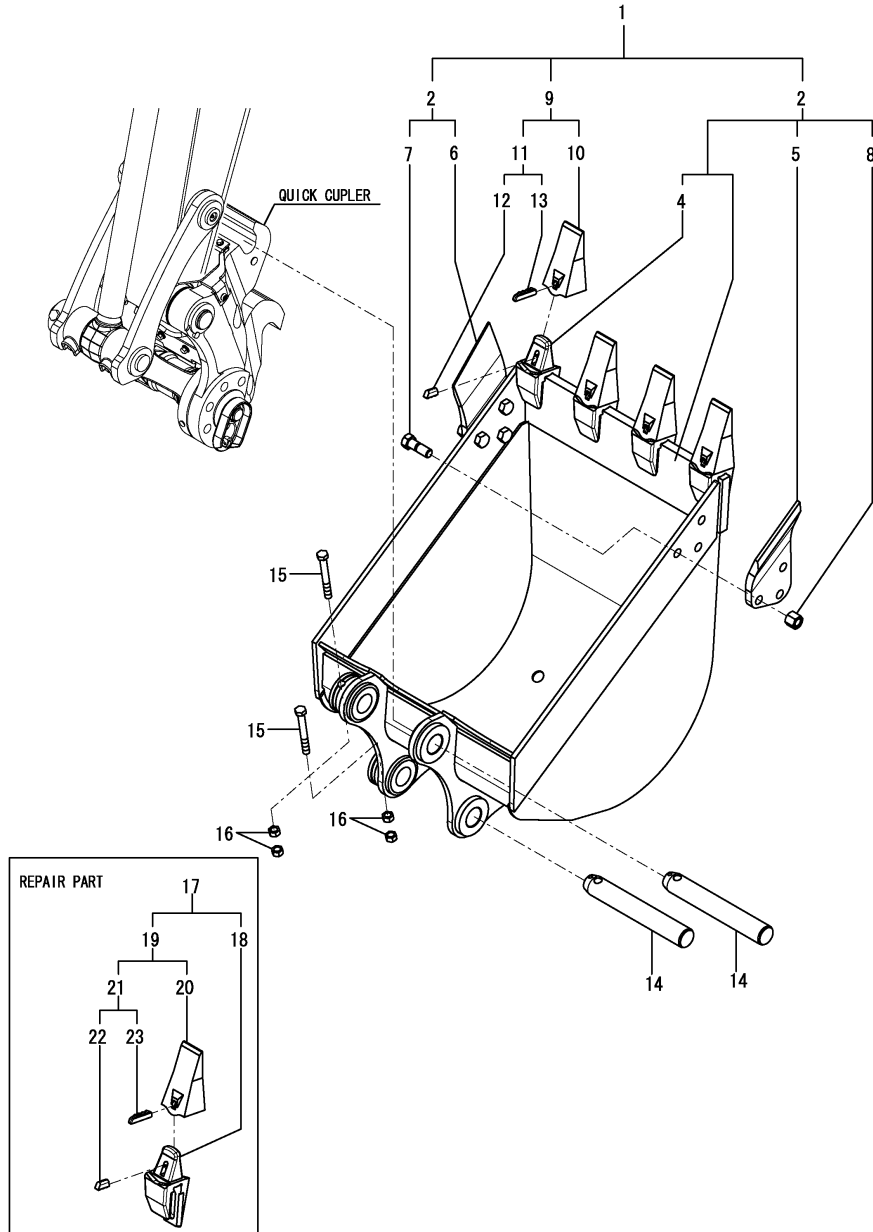


REF.	LEV.	PARTS NO.	DESCRIPTION	QTY						I	R
				(A)	(B)	(C)	(D)	(E)	(F)		
36	1	26116-161202	BOLT	1	1	1					
37	1	26116-161202	BOLT	1	1	1					
38	1	26716-160002	NUT	2	2	2					
39	1	26716-160002	NUT	2	2	2					
40	1	26756-100002	NUT	1	1	1					

Fig.114. BUCKET

(A)=VIO80(US)
 (B)=VIO80(AS)
 (C)=VIO80(NZ)

(D)=
 (E)=
 (F)=



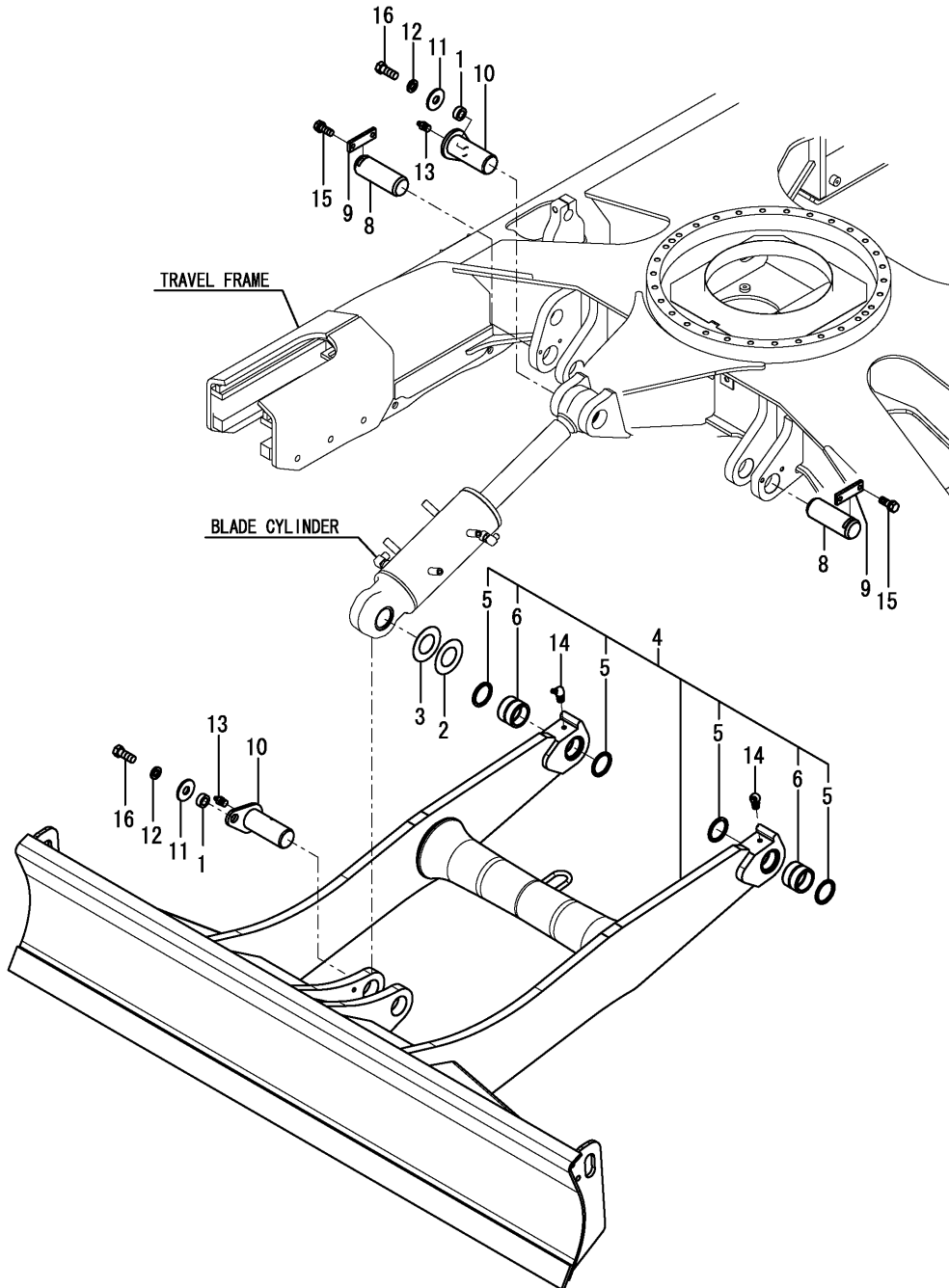
REF.	LEV.	PARTS NO.	DESCRIPTION	QTY						I	R	
				(A)	(B)	(C)	(D)	(E)	(F)			
1	1	172455-82490-2	BUCKET ASSY, 750(49)			1						
2	2	172455-82610-2	BUCKET ASSY,750S(49)			1						
4	4	172455-82671	ADAPTER			4						1
5	3	172455-82650-2	CUTTER L, SIDE (49)			1						
6	3	172455-82660-2	CUTTER R, SIDE (49)			1						
7	3	172455-82710	BOLT M22X62			6						
8	3	172455-82720	NUT			6						
9	2	172455-82760	POINT ASSY, 25S			4						
10	3	172455-82681	POINT 25S			4						
11	3	172455-82770	PIN SET, RUBBER			4						
12	4	172455-82691	PIN, RUBBER			4						
13	4	172455-82701	PIN, LOCKING			4						
14	1	172978-81400	PIN 50X301		2	2						2
15	1	26076-161302	BOLT 16*130		2	2						
16	1	26716-160002	NUT M16		4	4						
17	1	172455-82750	TOOTH ASSY			4						
18	2	172455-82671	ADAPTER			4						
19	2	172455-82760	POINT ASSY, 25S			4						
20	3	172455-82681	POINT 25S			4						
21	3	172455-82770	PIN SET, RUBBER			4						
22	4	172455-82691	PIN, RUBBER			4						
23	4	172455-82701	PIN, LOCKING			4						

Remarks
 (1)WELDED PART.
 (2)REPAIR PARTS.

Fig.115. BLADE

(A)=VIO80(US)
 (B)=VIO80(AS)
 (C)=VIO80(NZ)

(D)=
 (E)=
 (F)=



REF.	LEV.	PARTS NO.	DESCRIPTION	QTY						I	R
				(A)	(B)	(C)	(D)	(E)	(F)		
1	1	172155-45790	SPACER	2	2	2					
2	1	172175-81700	SHIM 60X110X0.8	1	1	1					
3	1	172175-81710	SHIM	1	1	1					
4	1	172A89-94100	BLADE ASSY (49)	1	1	1					
5	2	172020-10620	SEAL 60 X 75 X 5	4	4	4					
6	2	172162-81060	BUSH 60X55	2	2	2					
8	1	172162-94270	PIN	2	2	2					
9	1	172162-94280-3	PLATE,LOCK (GRAY:49)	2	2	2					
10	1	172187-94300	PIN 60X147	2	2	2					
11	1	22157-140000	WASHER, 14	2	2	2					
12	1	22217-140000	SPRING WASHER 14	2	2	2					
13	1	24761-020000	NIPPLE PT1/8,GREASE	2	2	2					
14	1	24761-040000	NIPPLE B,GREASE	2	2	2					
15	1	26013-120302	BOLT W/WASHER M12X30	4	4	4					
16	1	26116-140352	BOLT M14X 35 PLATED	2	2	2					

Fig.116. CA LABEL KIT(OPTIONAL)

(A)=VIO80(US)

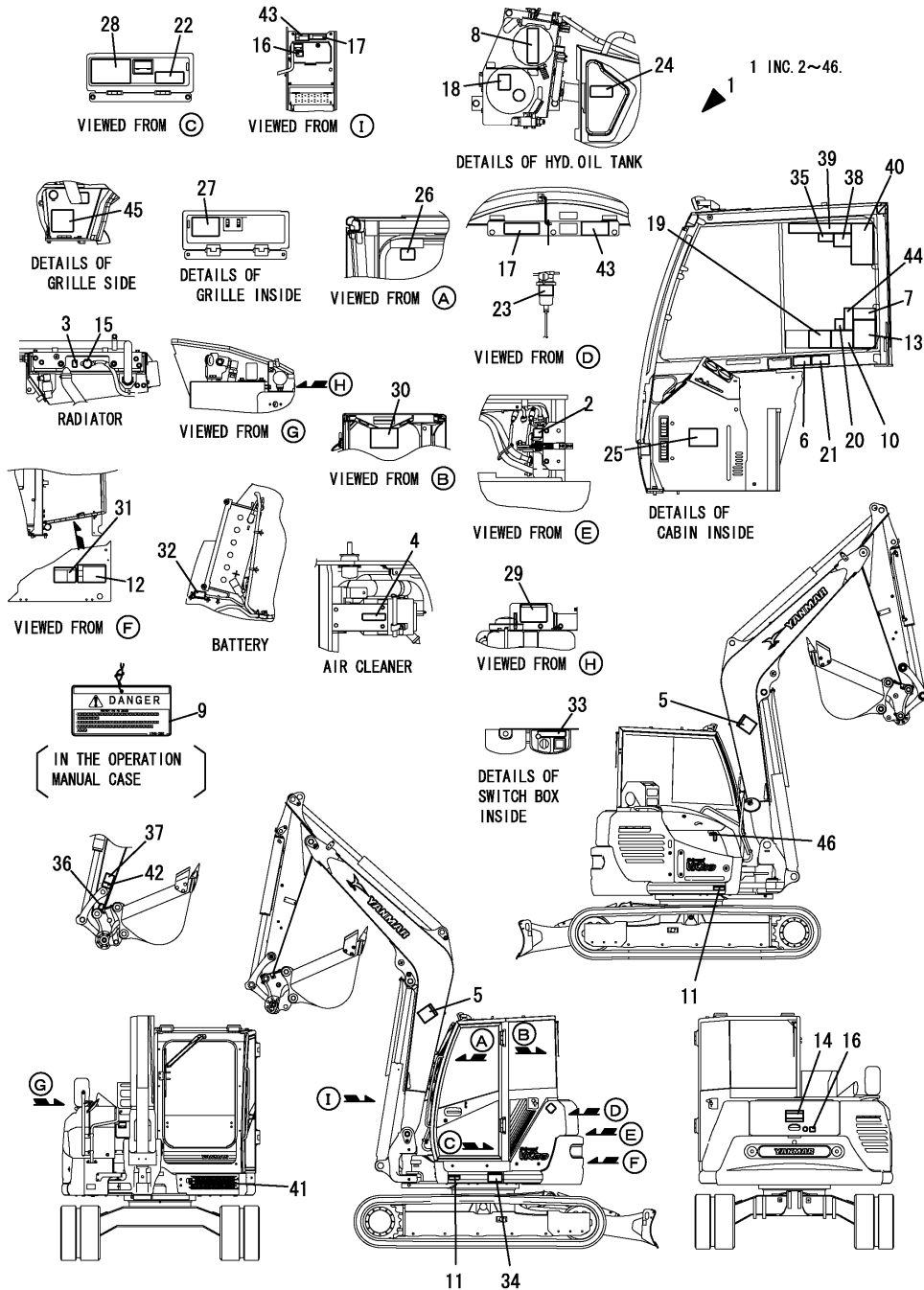
(B)=VIO80(AS)

(C)=VIO80(NZ)

(D)=

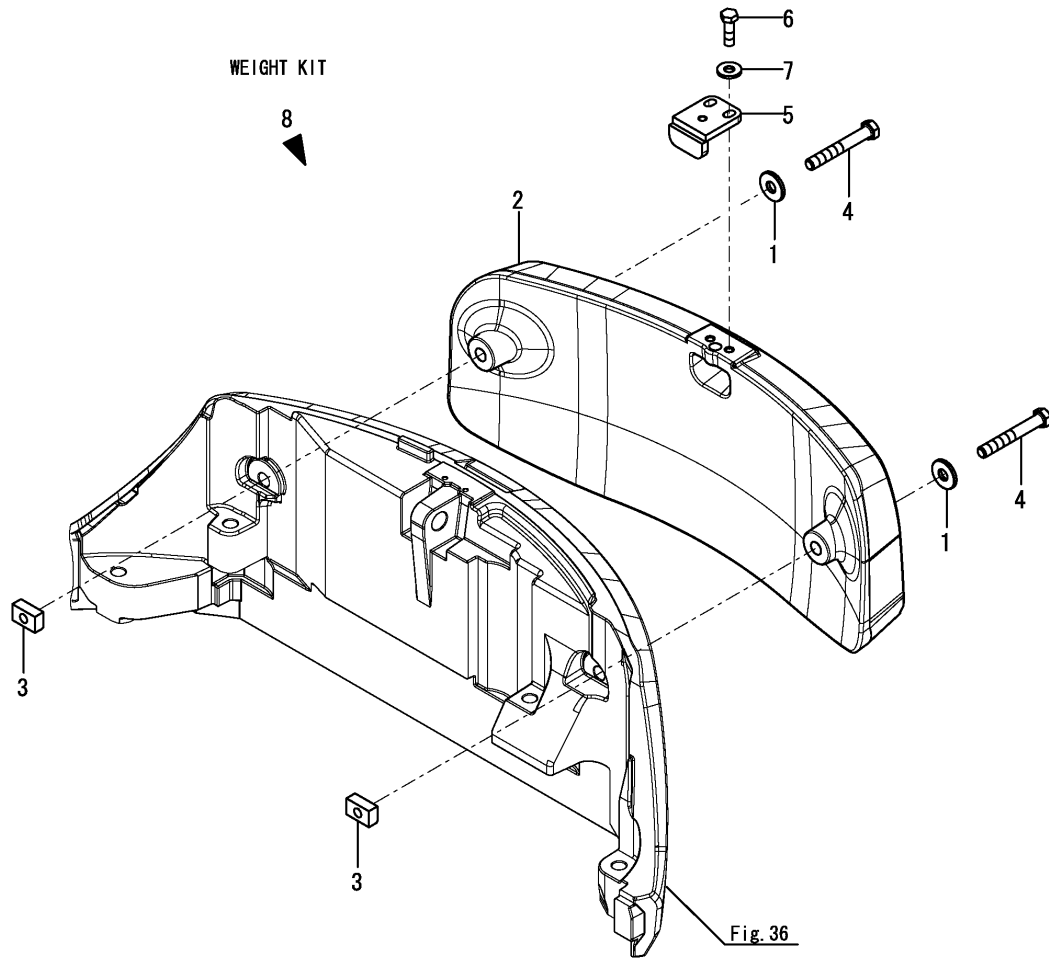
(E)=

(F)=



REF.	LEV.	PARTS NO.	DESCRIPTION	Q'TY						I	R
				(A)	(B)	(C)	(D)	(E)	(F)		
1	1	172A89-03050	LABEL KIT, CA	1							
2	2	172A37-03150	LABEL,SUB-TANK CA	1							
3	2	172A37-03160	LABEL,ANTI-FREEZE CA	1							
4	2	172A37-03180	LABEL J, AIR CLEANER	1							
5	2	172A37-03200	LABEL,BOOM CA	2							
6	2	172A37-03231	LABEL,MANUAL CA.	1							
7	2	172A37-03241	LABEL,SLOPE CA.	1							
8	2	172A37-03250	LABEL,RESERVOIR CA	1							
9	2	172469-03261	TAG,SERVICING ASSY	1							
10	2	172A37-03271	LABEL,TRANSPORT CA.	1							
11	2	172A37-03280	LABEL,GREASE CYL CA	2							
12	2	172A37-03290	LABEL,BATTERY CA	1							
13	2	172A37-03300	LABEL,NEWTRAL CA	1							
14	2	172A37-03310	LABEL,SWING AREA CA	1							
15	2	172469-03320	LABEL,RADIATOR CAP	1							
16	2	172A37-03330	LABEL,ENGINE COVER	2							
17	2	172A37-03350	LABEL,SILENCER CA	2							
18	2	172469-03360	LABEL,OIL	1							
19	2	172A37-03360	LABEL,STERRING CA	1							
20	2	172A37-03370	LABEL,ROPS CA	1							
21	2	172A37-03400	LABEL,LEVER LOCK CA	1							
22	2	172A89-03400	LABEL,SPEC CA	1							
23	2	172A07-03410	LABEL,WATER DRAIN	1							
24	2	172A37-03410	LABEL,RADIATOR CA	1							
25	2	172A89-03410	LABEL,OIL & WATER CA	1							
26	2	172A37-03420	LABEL,WINDOW CA	1							
27	2	172A89-03420	LABEL,FUSE CA	1							
28	2	172A37-03430	LABEL,2 WAY CA	1							
29	2	172A69-03430	LABEL,GREASING CA	1							
30	2	172A89-03440	LABEL,LIFT Q CA	1							
31	2	172A69-03450	LABEL,BATTERY COVER	1							
32	2	172A69-03470	LABEL FL CA	1							
33	2	172469-03480	LABEL,SWITCH	1							
34	2	172A37-03500	LABEL,SUPPORT CA	1							
35	2	172A37-03520	LABEL,PIN CA	1							
36	2	172A37-03530	LABEL,FINGER CA	1							
37	2	172469-03540	LABEL,OPERATION PIN	1							
38	2	172A37-03540	LABEL,SAND CA	1							
39	2	172469-03550	LABEL,OP HITCH	1							
40	2	172A37-03550	LABEL,WARNING HITCH	1							
41	2	172A47-03610	LABEL, GREASE CA	1							
42	2	172A37-03680	LABEL,LOCK PIN CA	1							
43	2	172A37-03710	LABEL,ENGROOM CA	2							
44	2	172A37-03720	LABEL,SEAT BELT CA	1							
45	2	172A37-03760	LABEL,ADJUST CRAWLER	1							
46	2	129942-07760	LABEL, FUEL OIL NOTI	1							

Fig.117. ADDITIONAL WEIGHT(OPTIONAL)



(A)=VIO80(US)
 (B)=VIO80(AS)
 (C)=VIO80(NZ)

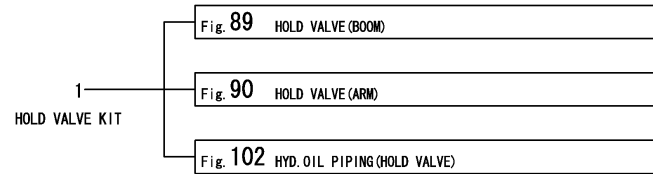
(D)=
 (E)=
 (F)=

REF.	LEV.	PARTS NO.	DESCRIPTION	QTY						I	R
				(A)	(B)	(C)	(D)	(E)	(F)		
1	1	172187-53321	WASHER	2	2	2					
2	1	172A89-53320	WEIGHT, ADD	1	1	1					
3	1	172A46-53360	NUT	2	2	2					
4	1	172A48-53371	BOLT	2	2	2					
5	1	172A48-53380	BRACKET ASSY, WEIGHT	1	1	1					
6	1	26116-160502	BOLT	2	2	2					
7	1	933147-08501	WASHER	2	2	2					
8	1	172A89-08900	WEIGHT SET	1	1	1					W 1
(A=MXXXXX) (B=MXXXXX) (C=MXXXXX)											

Remarks

(1)Refer No.8 includes No.7 from 1.

Fig.118. HOLD VALVE(OPTIONAL)



OCS10-G55700 118. HOLD VALVE(OPTIONAL)

(A)=VIO80(US)
 (B)=VIO80(AS)
 (C)=VIO80(NZ)

(D)=
 (E)=
 (F)=

REF.	LEV.	PARTS NO.	DESCRIPTION	Q'TY						I	R	
				(A)	(B)	(C)	(D)	(E)	(F)			
1	1	172A69-08520	VALVE KIT, HOLD (A=MXXXXX) (B=MXXXXX) (C=MXXXXX)	1	1	1					W	1
1-1	1	172A69-08520-Y	VALVE KIT, HOLD (A=M92001) (B=M92001) (C=M92001)	1	1	1						S

Remarks

(1) Inner parts are shown in Fig.89, 90 & 102.

Part Number Index

All parts are stipulated in the order of part numbers.

(Depending on the area in which the part is used.)

This index will display the location of the part according to each part number.

PARTS No. INDEX

PARTS No.	Fig.	Ref.No.
106990-44660	11	29
114110-07760	1	45
119005-12571	4	5
119802-55710	12	28
119808-12540	4	3
	5	3
121250-49121	8	3
121256-44600-3	10	8
121450-44531	10	3
121470-44581	10	5
124450-44550	10	7
124450-44560	10	4
124766-59050	8	27
	11	30
	12	32
		33
		34
		35
124970-77920	19	29
129062-12560	4	4
	5	4
129062-12570	4	6
	5	5
129100-55690	12	27
129107-44590	8	8
129122-44480	25	27
129466-96240	25	28
129612-12650	4	7
129612-52100	12	24
129927-77900	13	27
129927-77910	13	28
	19	28
129927-77920	19	30
129942-07760	116	46
171064-44510	10	1
172020-10220	61	8
		13
172020-10290	61	5
172020-10360	61	24
172020-10370	61	6
172020-10380	61	25
	65	8
172020-10620	63	11
	64	29
		33
	65	21
		25
	115	5
172020-10730	64	2
172020-10810	63	3

PARTS No.	Fig.	Ref.No.
172020-10810	64	3
172020-10860	64	4
172020-11030	63	12
172020-11230	64	30
172020-11280	64	34
172020-11300	64	5
172020-11320	64	8
172020-11340	64	9
172020-11350	64	11
172020-11450	65	22
		26
172020-11500	65	2
172020-11520	65	5
172020-11530	65	9
172020-11540	65	6
172020-11620	61	26
172020-11690	64	10
172020-11700	64	12
172020-11710	64	19
172020-11720	65	7
172020-11730	65	10
172020-11740	65	17
172110-76170	101	3 -1
	102	1 -1
172110-76170-3	101	3
	102	1
172112-16201	15	2
172112-16650	7	13
172112-74971	88	5
172112-75770	88	7
172112-75780	88	8
172112-77361	62	37
	90	23
	93	21
	94	42
	97	4
172112-77580	108	10
172113-74190	76	4
	78	19
172116-74150	72	26
	73	3
	74	3
		5
		11
	75	3
	76	15
	77	19
	78	3
		31
	79	29

PARTS No.	Fig.	Ref.No.
172122-17190	42	12
	59	5
172122-37844	28	24
172122-55061	12	25
172122-70260	68	24
172122-70410	68	26
172122-70530	68	28
172122-73860	71	5
172122-73870	71	6
172122-73890	71	11
172122-79890	4	11
	5	9
	96	12
172123-76121	81	24
	82	8
		9
	83	22
	84	10
	85	20
	86	34
	87	21
	90	18
	93	2
	94	7
		8
	97	2
	99	1
	120	7
172124-17640	25	6 -1
172124-46200	30	6
	113	2
172124-65480	46	16
172124-70030	62	2
172124-70380	68	42
172125-03951	1	44
	2	18
	4	16 A
	5	14 A
172126-11510	19	1
		44
	24	1
		2
	25	1
	26	1
		2
	101	16
	102	19
	105	1
172126-16540	13	14
		15

PARTS No.	Fig.	Ref.No.
172137-13400	11	2
172137-14282	7	12
172137-16560	12	22
	13	17
	19	15
	20	3
	25	2
		3
	93	24
	108	1
172137-46042	7	14
172137-46210	18	18
172137-66230	22	6
172137-76100	80	21
172137-76110	96	1
172137-76580	101	7
	102	2
172141-17211	20	5
172141-41370	30	3
172141-72250	66	2
172141-74720	59	33
172141-76181	81	25
	83	24
	86	35
	89	20
	94	19
	99	6
172141-76900	61	37
	62	35
	63	32
	65	30
	89	25
	90	19
	93	17
	94	38
		40
	120	14
172141-76920	93	19
172141-76940	96	2
	97	3
172142-62301	9	19
	38	17
172142-72260	66	3
172142-72951	66	19
172142-74590	59	84
172142-74650	59	85
172142-74670	82	6
172142-76181	64	36
	65	28
172142-76240	99	18

PARTS No. INDEX

PARTS No.	Fig.	Ref.No.
172142-76940-2	58	5
	100	6
		7
172142-76940-Y	58	5 -1
	100	6 -1
		7 -1
172142-76950-6	89	27
	98	13
		20
172142-76950-N	89	27 -1
	98	20 -1
172142-76950-Y	98	13 -1
172146-78150	9	20
172147-70500	68	27
172147-73150	59	77
172147-73530	59	72
172147-73810	71	2
172147-73830	71	3
172147-73850	71	4
172147-73880	71	10
172147-76271	91	14
	94	31
172148-70301	68	25
172151-71630	66	12
172151-72591	63	7
172151-74060	72	10
	73	5
	74	7
	75	5
		14
	76	2
		17
	77	3
		25
	78	5
		17
	79	5
		19
172151-74320	72	13
	73	8
	74	28
	75	8
		18
	76	7
		20
	77	6
		28
	78	8
		21
	79	8

PARTS No.	Fig.	Ref.No.
172151-74320	79	23
172151-76050	60	4
	80	20
172151-76161	99	4
172151-76200	94	25
172155-11120	93	1
172155-45790	61	1
	110	1
	111	2
	115	1
172156-03740	1	42
172156-65690	45	10
172156-76110	22	7
172157-58830	80	3
172157-76300	70	5
172162-13170	7	7
172162-13180	7	8
172162-13190	7	9
172162-14200	11	24
172162-15310	47	3
172162-17400	20	4
172162-18040	26	9
172162-37770	28	22
172162-37800	28	23
172162-37810	28	15
172162-57660	36	13
172162-61330	44	6
172162-61500	40	1
172162-61770	61	2
172162-69470	38	24
172162-70150	68	19
172162-70290	68	3
172162-70310	68	4
172162-70320	68	5
172162-70590	68	29
172162-70820	68	31
172162-72930	62	32
172162-72950	62	33
172162-73700	88	2
172162-76181	94	21
172162-76320	93	16
172162-81060	115	6
172162-81430	110	5
172162-82280	111	7
172162-82350	61	10
		16
		8
172162-82360	113	4
172162-83580	110	14
172162-83600	110	15

PARTS No.	Fig.	Ref.No.
172162-83610	110	16
172162-94270	115	8
172162-94280-3	64	44
	115	9
172164-16370	15	3
172164-37120	27	18
172164-66170	38	18
	45	11
	46	17
172164-76330	94	35
172164-76700	94	36
172164-81670	111	9
172165-13220	7	11
172165-47550	30	12
172165-47980	30	13
172165-47990	30	14
172165-76270	93	10
172165-76380	99	19
172165-82520	111	13
	112	11
172165-82530	111	14
	112	12
172168-54760	112	7
172168-76162	120	8
		9
172168-76170	95	2
172168-76370	95	4
172171-65820	47	7
172173-76102	80	23
	81	22
	84	8
	120	5
172175-17120	19	7
172175-72480	66	4
172175-74220	72	12
	73	7
	74	27
	75	16
	76	5
		19
	77	5
		27
	78	7
		20
	79	7
		21
172175-78720	99	25
172175-81700	64	39
	111	10
	112	1

PARTS No.	Fig.	Ref.No.
172175-81700	115	2
172175-81710	64	40
	111	11
	112	2
	115	3
172176-67150	38	23
172176-76210	94	28
172176-76582-2	100	4
172176-76582-Y	100	4 -1
172176-81700	61	44
172176-81710	61	45
172183-03280	1	23
172183-76180	89	22
172183-76200	82	12
	87	22
	94	26
	90	25
172183-81160	12	1
172186-13810	11	22
172186-14150	84	12
172186-76430	1	43
172187-03941	2	17
	110	22 A
172187-11400	3	2
172187-14510	11	28
172187-16110	15	1
172187-16600	13	18
172187-17070	16	3
172187-17080	16	4
172187-17090	16	5
172187-17100	16	1
172187-17220	19	8
172187-18410	25	25
172187-37700-3	28	14
172187-45651	33	3
172187-45720-2	33	4
172187-45760	33	5
172187-45870	31	3
172187-45880	31	4
172187-50801-3	35	4
172187-50811-3	35	5
172187-53321	36	2
	117	1
172187-54760	36	8
172187-61421	38	1
	39	21
172187-61500-3	40	2
172187-63160	23	37
	42	4
		9

PARTS No. INDEX

PARTS No.	Fig.	Ref.No.
172187-64900	18	19
172187-65210	46	11
172187-65270	46	13
172187-66140	44	17
172187-71100	59	1
172187-71210	59	4
172187-72910-2	61	42
172187-72910-N	61	42 -1
172187-73220	59	21
172187-73230	59	22
172187-73240	59	20
172187-73250	59	23
172187-73700	88	3
172187-73730	88	4
172187-73801	71	1
172187-74410	76	9
	78	23
172187-74530	72	6
		28
	75	11
172187-74540	74	36
172187-74550	72	30
	77	36
172187-74630	74	42
172187-74690	74	23
172187-75340-2	88	12
172187-75500	88	16
172187-75630	59	75
172187-75720	59	62
172187-75750	59	63
172187-76131	93	3
172187-76141	93	6
172187-76170	94	16
172187-76180	95	3
172187-76200	94	27
172187-76520	98	10
172187-76530-2	98	11
172187-76530-Y	98	11 -1
172187-76570-2	100	3
172187-76570-Y	100	3 -1
172187-76690-2	100	5
172187-76690-Y	100	5 -1
172187-76940	98	12
172187-78100	95	15
	98	26
172187-78201	97	12
172187-78211	97	13
172187-79250	100	12
172187-81710	111	6
172187-81801	61	46

PARTS No.	Fig.	Ref.No.
172187-81840	110	7
172187-81861	111	12
172187-81970	64	41
	110	10
172187-82330	109	5
172187-82340	110	12
172187-82370	64	42
172187-82400	109	6
172187-82410	109	7
172187-82420	109	8
172187-82430	110	13
172187-83040	112	10
172187-94300	115	10
172312-74770	74	24
172312-74780	68	50
172312-76190	91	11
172422-74110	72	3
172422-74330	75	9
172422-76100	91	1
172422-76140	83	23
	84	11
	94	10
172422-78760	12	36
172423-72520	64	25
172423-72530	64	26
172423-72540	64	27
172423-73370	68	16
172423-76100	70	4
	94	4
172423-76120	94	9
172423-76140	94	11
172425-17630	25	4
172434-61180	39	18
172437-03252	1	20
	2	4
172437-03302	1	53
	2	22
	50	32 A
172437-03312	1	54
	2	23
	54	13 D
172437-03322	1	25
	2	6
	88	44 A
172437-03343	1	55
	2	24
	54	13 E
172437-03352	1	28
	2	8
	41	24 B

PARTS No.	Fig.	Ref.No.
172437-03352	41	25 A
172437-03361	1	30
	2	10
	9	30 B
172437-03372	1	57
	2	26
	54	13 F
172437-03381	1	31
	2	11
	46	30 A
172437-03391	1	32
	2	12
	45	36 A
172437-03402	1	33
	2	13
	38	35 A
	46	30 B
172437-03422	1	35
	2	15
	38	35 C
	46	30 D
172437-03432	1	58
	2	27
	54	13 G
172437-03441	1	59
	2	28
	54	13 H
172437-03451	1	60
	2	29
	54	13 I
172437-03471	1	61
	2	30
	50	32 B
172437-03501	1	36
172437-03511	1	37
172437-03551	1	62
	2	31
	52	32 A
172437-03601	1	38
	2	16
	39	42 A
172437-03610	1	39
172437-03620	1	40
172437-74711	80	5
172437-74720	80	6
172437-74732	80	7
172441-44320	34	1
172441-74030	85	3
		12
172441-74040	85	4

PARTS No.	Fig.	Ref.No.
172441-74040	85	13
172444-13210	8	1
172444-13220	8	2
172444-14270	11	27
172444-17620	44	2
172444-17660	43	6
	98	1
	101	34
	111	1
172444-65190	46	10
172445-68650	19	27
172445-72450	63	19
	64	24
172445-72480	63	15
	64	7
172445-81990	110	11
172446-14250	12	7
172446-49280	23	9
172446-62910	57	4
172447-13550	26	3
172447-14160	11	12
172448-54120	63	5
	111	4
	112	6
172450-73360	68	15
172450-73370	68	17
172450-73380	68	22
172455-11500	5	1
172455-29140	27	2
172455-29150	27	3
172455-37160	28	8
172455-37170	28	9
172455-37180	28	10
172455-46890	30	11
172455-53331	36	3
172455-61720	113	3
172455-65701	38	33
172455-74010	72	22
	77	15
172455-74020	72	23
	77	16
172455-74030	72	24
	77	17
172455-74040	72	25
	77	18
172455-74320	72	21
	77	14
172455-74390	72	14
	73	10
	74	29

PARTS No. INDEX

PARTS No.	Fig.	Ref.No.	
172455-74390	75	19	
	76	8	
		21	
	77	7	
		29	
	78	9	
		22	
	79	9	
	172455-74410	72	15
		73	11
74		30	
75		20	
76		10	
		22	
77		8	
		30	
78		10	
		24	
172455-74420	79	10	
		24	
	72	16	
	73	12	
	74	31	
	76	23	
	77	9	
		31	
	78	11	
		11 -1	
	25		
172455-74440	79	11	
	72	17	
	73	13	
	74	32	
	76	24	
	77	10	
		32	
	78	12	
		26	
	79	12	
172455-74450	72	18	
	73	14	
	74	33	
	76	25	
	77	11	
		33	
	78	13	
		27	
	79	13	
	72	19	
73	15		

PARTS No.	Fig.	Ref.No.	
172455-74460	74	34	
	75	21	
	76	11	
		26	
	77	12	
		34	
	78	14	
		28	
	79	14	
		25	
172455-74480	79	26	
	172455-74530	74	35
	172455-74550	74	38
	172455-74560	74	39
	172455-74570	74	40
	172455-74580	74	41
	172455-74590	74	14
	172455-74600	74	15
	172455-74620	74	16
	172455-74630	74	17
172455-74640	74	18	
172455-74650	74	19	
172455-74660	74	20	
172455-74670	74	21	
172455-74680	74	22	
172455-74720	74	25	
172455-74990	72	27	
	77	20	
172455-75290	88	18	
172455-75300	88	19	
172455-76160	95	1	
172455-76220	85	21	
172455-77140	89	12	
	90	12	
172455-77150	86	29	
	89	13	
	90	13	
172455-82360	112	8	
172455-82380-2	112	3	
172455-82380-Y	112	3 -1	
172455-82391-2	112	4	
172455-82391-Y	112	4 -1	
172455-82490-2	114	1	
172455-82610-2	114	2	
172455-82650-2	114	5	
172455-82660-2	114	6	
172455-82671	114	4	
		18	
172455-82681	114	10	
		20	

PARTS No.	Fig.	Ref.No.
172455-82691	114	12
		22
172455-82701	114	13
		23
		7
172455-82710	114	7
172455-82720	114	8
172455-82750	114	17
172455-82760	114	9
		19
172455-82770	114	11
		21
172455-83350	112	13
172455-83360	112	14
172456-13470	19	2
172456-53700	36	4
172456-75430	59	87
172458-03240	1	19
172458-14203	11	13
172458-17420	55	10
172458-17700	23	2
172458-18850	44	3
172458-46790	44	5
172458-50480-2	35	2
172458-61490	26	13
172458-61500	8	19
172458-61510	8	20
172458-64140	23	36
172458-65050	46	2
172458-65060	46	3
172458-65271	46	14
172458-83650	111	15
172460-16700	12	23
172460-73320	49	9
172462-03320	1	26
172463-03281	1	5
172463-03290	1	24
172463-74530	85	5
		14
172463-74540	85	6
		15
172463-74551	85	7
		16
172463-74561	85	8
		17
172463-74570	85	9
		18
172467-64101	43	7
172467-64110	43	8
172467-64120	43	9
172467-64130	43	10

PARTS No.	Fig.	Ref.No.
172467-64140	43	11
172467-64150	43	12
172467-64160	43	13
172467-64170	43	14
172467-64180	43	15
172467-64190	43	16
172467-76120	99	15
172469-03261	116	9
172469-03320	116	15
172469-03360	116	18
172469-03480	116	33
172469-03540	116	37
172469-03550	116	39
172472-03141	1	10
	2	1
	41	24 A
172472-03230	1	18
172472-03241	1	49
	2	19
	54	13 A
172472-03250	1	50
172472-03261	1	21
	2	5
	111	23 A
172472-03271	1	51
	2	20
	54	13 B
172472-03281	1	52
	2	21
	54	13 C
172472-03290	18	2
172472-03300	18	3
172472-03330	1	27
	2	7
	111	23 B
172478-17201	16	10
	22	12
172478-37101-2	28	3
172478-37121	28	5
172478-37141	28	6
172478-37151	28	7
172478-37302	27	4
172478-37342	27	8
172478-37372	27	9
172478-37380	27	10
172478-37400	27	7
172478-37710	28	20
172478-37720	28	21
172478-72010	61	15
172478-72190	61	11

PARTS No. INDEX

PARTS No.	Fig.	Ref.No.
172478-72250	61	21
172478-73600	69	1
172478-73630	69	2
172478-74170	73	9 -1
172478-74180	72	11
	73	6
	74	8
	75	15
	76	3
		18
	77	4
		26
	78	6
		18
	79	6
		20
172478-74320	73	9
172478-74360	72	5
	79	2
172478-74370	79	3
172478-76200	69	3
172479-73420	67	31
172479-73470	67	38
172479-73480	67	10
		40
172479-73590	67	55
172479-73710	67	63
		64
172479-73750	67	5
172479-73760	67	6
172479-73800	67	13
172479-73810	67	14
172479-73830	67	15
172479-73850	67	17
172479-73950	67	74
172487-61460	19	19
172488-38600	29	27
172488-74200	74	9
172488-74210	74	12
172488-74220	74	13
172491-61490	24	20
172491-76140	94	12
172491-76330	83	27
	87	24
172499-13750	9	3
172499-17650	25	5
172499-70600	59	7
172499-70610	59	8
172499-70620	59	9
172499-70630	59	10

PARTS No.	Fig.	Ref.No.
172499-70640	59	11
172499-70650	59	12
172499-70660	59	13
172499-70680	59	14
172499-70690	59	15
		67
172499-70701	59	16
172499-70711	59	17
172499-70720	68	6
172499-70730	68	7
172499-70740	68	8
172499-70750	68	9
172499-70760	68	10
172499-70770	68	11
172499-70780	68	12
172499-70790	68	13
172499-70810	68	30
172499-70830	68	32
172499-70840	68	33
172499-70850	68	34
172499-70860	68	35
172499-70870	68	36
172499-70880	68	37
172499-70890	68	38
172499-70900	68	43
172499-70910	68	44
172499-70920	68	45
172499-70930	68	46
172499-70950	68	48
172499-70960	68	49
172499-70970	68	39
172499-70980	68	40
172499-71020	68	74
172499-71040	68	14
172499-71200	59	3
172499-71300	59	18
172499-71310	59	26
172499-71320	59	35
172499-71350	59	44
172499-71370	59	53
172499-71450	59	19
172499-71490	59	68
172499-71500	59	30
172499-71590	59	70
172499-71600	59	55
172499-71620	59	56
172499-71630	59	57
172499-71640	59	58
172499-71650	59	59
172499-71660	59	60

PARTS No.	Fig.	Ref.No.
172499-71690	59	47
172499-71700	59	48
172499-71710	59	49
172499-71720	59	50
172499-71730	59	51
172499-71740	59	52
172499-72490	61	19
172499-72981	63	31
172499-73460	67	36
172499-73620	67	56
172499-73630	67	57
172499-73640	67	58
172499-73660	67	59
172499-73670	67	60
172499-73680	67	61
172499-73700	67	62
172499-73710	67	65
172499-73720	67	66
172499-73760	67	67
172499-73770	67	68
172499-73780	67	69
172499-73810	67	70
172499-73820	67	71
172499-73830	67	72
172499-73870	67	73
172499-76160	91	9
172499-76300	93	11
172499-76310	93	13
172499-76311	93	13 -1
172499-78530	97	16
172499-78591	91	33
172499-81750	110	6
172499-81850	110	8
172499-81860	110	9
172499-82400-1	112	5
172499-82400-Y	112	5 -1
172511-17351	22	4
172519-63240	34	5
	42	5
		10
		11
172524-76110	94	5
172524-76210	99	16
172531-73550	69	3 -1
172538-17100	21	3
172538-19700	44	4
172538-66380	53	2
172538-66480	56	2
172538-66530	56	3
172538-66640	55	2

PARTS No.	Fig.	Ref.No.
172538-67250	50	4
172538-67550	54	6
172538-67630	51	28
172538-67640	56	4
172538-67650	52	2
172538-67660	51	29
		30
		31
	55	3
172538-67680	51	2
172538-67720	50	5
	51	3
	52	3
		4
	53	3
	55	4
172538-67780	51	4
172538-68540	55	5
172538-68730	51	23
172538-68780	51	24
172538-68890	51	25
172538-68910	50	6
	52	31
172538-68960	51	26
172638-06720	9	5
172638-73650	74	10
172638-76190	83	26
172644-76161	120	10
172645-76560	89	23
172648-16600	13	8
	26	6
172649-73680	59	83
172651-73430	59	82
172730-31630	27	17
172730-75141	83	21
	97	1
	120	4
172734-65270	46	15
172828-76330	80	25
172837-73700	70	1
172837-73730	70	2
172837-73740	70	3
172837-74130	82	1
172837-74140	82	2
172837-74150	82	3
172837-74160	82	4
172837-74170	82	5
172958-03160	1	12
172958-17110	18	1
172958-17121	113	1

PARTS No. INDEX

PARTS No.	Fig.	Ref.No.
172958-17140	18	7
172958-17150	18	8
172958-17160	18	9
172958-17170	18	10
172958-17180	18	11
172958-17190	18	12
172958-17200	18	13
172958-17210	18	14
172958-17220	18	15
172958-64500	42	6
172958-72950	66	22
172958-72960	66	23
172958-72982-2	66	24
172958-72983	66	24 -1
172958-72983-N	66	24 -2
172958-78120	101	19
172960-83210	113	17
172964-12140	32	1
172978-72590	63	9
172978-72620	63	20
172978-72800-2	66	1
172978-72800-N	66	1 -1
172978-72810-2	66	5
172978-72810-N	66	5 -1
172978-72860	66	8
172978-72880	66	11
172978-72890	66	7
172978-72920	66	14
172978-76100	101	1
172978-76480-2	101	4
172978-76480-Y	101	4 -1
172978-76500-2	101	5
172978-76500-Y	101	5 -1
172978-78111	101	18
172978-81400	114	14
172978-83101-2	113	5
172978-83101-Y	113	5 -1
172978-83111-2	113	6
172978-83111-Y	113	6 -1
172978-83120	113	7
172978-83130	113	8
172978-83140	113	9
		10
172978-83150	113	11
172978-83161	113	12
172978-83170-2	113	13
172978-83170-Y	113	13 -1
172978-83191	113	14
172978-83221-2	113	18
172978-83221-Y	113	18 -1

PARTS No.	Fig.	Ref.No.
172978-83270-2	113	19
172978-83270-Y	113	19 -1
172978-83292	113	20
172978-83300-2	113	21
172978-83300-Y	113	21 -1
172978-83320-2	113	22
172978-83320-Y	113	22 -1
172A07-03160	1	13
172A07-03410	116	23
172A21-03220	1	4
172A21-11500	4	1
172A21-13100	7	1
172A21-72200	61	12
172A21-76120	99	2
172A25-68500	57	1
	58	2
172A25-74420	89	2
	90	2
172A25-74430	89	3
	90	3
172A25-74440	89	4
	90	4
172A25-74450	89	5
	90	5
172A25-74460	89	6
	90	6
172A25-74470	89	7
	90	7
172A25-74480	89	8
	90	8
172A25-74490	89	9
	90	9
172A25-74501	89	10
	90	10
172A25-76100	89	18
172A36-03411	1	34
	2	14
	38	35 B
	46	30 C
172A36-74690	80	2
172A36-74750	80	8
172A36-74780	80	9
172A37-03150	116	2
172A37-03160	116	3
172A37-03180	116	4
172A37-03200	116	5
172A37-03231	116	6
172A37-03241	116	7
172A37-03250	116	8
172A37-03271	116	10

PARTS No.	Fig.	Ref.No.
172A37-03280	116	11
172A37-03290	116	12
172A37-03300	116	13
172A37-03310	116	14
172A37-03330	116	16
172A37-03350	116	17
172A37-03360	116	19
172A37-03370	116	20
172A37-03400	116	21
172A37-03410	116	24
172A37-03420	116	26
172A37-03430	116	28
172A37-03500	116	34
172A37-03520	116	35
172A37-03530	116	36
172A37-03540	116	38
172A37-03550	116	40
172A37-03680	116	42
172A37-03710	116	43
172A37-03720	116	44
172A37-03760	116	45
172A38-03201	1	15
	2	2
	10	10 A
172A38-03211	1	16
	2	3
	8	43 A
172A46-46632	34	2
172A46-46703	34	3
172A46-46732	34	4
172A46-53360	117	3
172A46-61960	45	3
172A46-74710	83	11
	84	4
172A46-74720	83	12
172A46-74730	83	13
172A47-03610	116	41
172A47-74710	81	4
	87	3
172A47-74720	81	5
	87	4
172A47-74730	81	6
	86	10
	87	5
172A47-74740	81	7
	87	6
172A47-74750	81	8
	87	7
172A47-74760	81	9
	86	18

PARTS No.	Fig.	Ref.No.
172A47-74760	87	8
172A47-74770	81	10
	86	20
	87	9
172A47-74780	81	11
	87	10
172A47-74790	81	12
	87	11
172A47-74800	81	13
	87	12
172A47-74810	81	14
	86	24
	87	13
172A47-74820	81	15
	87	14
172A47-74840	81	16
	86	25
	87	15
172A47-74850	81	17
	86	26
	87	16
172A47-74860	81	18
	87	17
172A47-74870	81	19
	87	18
172A47-74880	81	20
	86	27
	87	19
172A47-74890	81	21
	86	28
	87	20
172A47-76120	82	10
172A47-76171	94	18
172A47-76180	94	23
172A47-76230	86	37
	94	29
172A47-76290	94	32
172A47-76320	87	23
	94	34
172A47-77820	108	4
172A48-53371	117	4
172A48-53380	117	5
172A52-76130	93	4
172A52-81352	110	4
172A64-03700	1	41
172A64-17250	19	21
	57	8
172A65-03150	1	11
172A65-03230	1	4 -1
172A65-16540	13	16

PARTS No. INDEX

PARTS No.	Fig.	Ref.No.
172A65-16550	13	7
172A65-17150	21	1
172A65-17480	19	23
172A65-17650	25	6
172A65-73310	67	2
172A65-73320	67	21
172A65-73330	67	22
172A65-73340	67	23
172A65-73350	67	24
172A65-73360	67	25
172A65-73370	67	26
172A65-73380	67	27
172A65-73390	67	28
172A65-73400	67	29
172A65-73410	67	30
172A65-73420	67	32
172A65-73430	67	33
172A65-73440	67	34
172A65-73450	67	35
172A65-73460	67	37
172A65-73470	67	39
172A65-73480	67	41
172A65-73490	67	42
172A65-73500	67	43
172A65-73510	67	44
172A65-73520	67	45
172A65-73530	67	46
172A65-73540	67	47
172A65-73550	67	48
172A65-73560	67	49
172A65-73570	67	50
172A65-73580	67	51
172A65-73620	67	11
172A65-73630	67	12
172A65-73700	67	85
172A65-73800	119	1
	120	3
172A65-73810	119	2
172A65-73840	119	3
172A65-73850	119	4
172A65-73860	119	5
172A65-73870	119	11
172A65-73880	119	10
172A65-76700	120	12
172A65-76790	91	6
172A67-63110	42	7
172A67-63120	42	8
172A67-63140	42	3
172A67-63160	42	13
172A67-63170	42	14

PARTS No.	Fig.	Ref.No.
172A69-03130	1	9
172A69-03160	1	3
172A69-03170	1	14
172A69-03200	1	48
172A69-03220	1	17
172A69-03270	1	22
172A69-03300	1	46
172A69-03310	1	47
172A69-03350	1	29
	2	9
	9	30 A
172A69-03430	116	29
172A69-03450	116	31
172A69-03470	116	32
172A69-08400	46	4 -1
172A69-08520	118	1
172A69-08520-Y	118	1 -1
172A69-11530	4	10
	5	8
172A69-12100	6	1
172A69-12120	6	7
172A69-12160	6	3
172A69-12170	6	4
172A69-12180	6	5
172A69-12190	6	6
172A69-13100	7	2
172A69-13110	7	3
172A69-13120	7	4
172A69-13150	7	5
172A69-13230	8	5
172A69-13670	9	13
172A69-13690	38	3
		14
172A69-14110	11	3
172A69-14130	11	9
172A69-14170	11	23
172A69-14211	11	14
172A69-14230	11	26
172A69-14240	11	15
172A69-14290	12	5
172A69-14310	11	35
172A69-14350	11	37
		44
172A69-14370	11	38
172A69-14410	11	40
172A69-14430	11	42
172A69-14450	11	43
172A69-14510	12	6
172A69-14640	12	17
172A69-16100	13	1

PARTS No.	Fig.	Ref.No.
172A69-16551	14	1
172A69-16570	26	4
172A69-16680	13	19
172A69-16700	13	20
172A69-16710	13	9
172A69-17140	19	18
172A69-17200	21	2
172A69-17201	21	2 -1
172A69-17210	21	4
172A69-17211	21	4 -1
172A69-17220	21	5
172A69-17221	21	5 -1
172A69-17230	21	6
172A69-17231	21	6 -1
172A69-17240	21	7
172A69-17250	21	8
172A69-17260	19	22
172A69-17270	21	9
172A69-17840	25	10 -1
172A69-17870	24	3
172A69-17890	24	6
172A69-18100	25	13
172A69-18150	25	15
172A69-18160	25	16
172A69-18190	25	20
172A69-18200	23	3
172A69-18210	23	4
172A69-18230	23	7
172A69-18290	25	21
172A69-18350	25	22
172A69-18370	25	23
172A69-18401	25	24
172A69-18430	25	26
172A69-18650	23	11
172A69-18680	23	12
172A69-18700	23	13
172A69-18730	23	19
172A69-18750	23	21
172A69-18760	23	15
172A69-18770	23	16
172A69-18780	23	17
172A69-18790	23	18
172A69-18800	23	25
172A69-18820	23	22
172A69-18860	23	23
172A69-18900	24	9
	26	15
172A69-18940	23	24
172A69-18990	23	27
172A69-19010	24	10

PARTS No.	Fig.	Ref.No.
172A69-19541	26	16
172A69-19581	26	17
172A69-19590	26	18
172A69-19700	23	29
172A69-19720	23	31
172A69-19730	23	32
172A69-19810	24	12
172A69-19860	24	15
172A69-19880	24	16
172A69-19890	23	33
172A69-45211	31	1
172A69-45251	31	2
172A69-45350	33	1
172A69-45800	33	6
172A69-45850	32	2
172A69-46101	30	2
172A69-46210	30	7
172A69-46220	30	8
172A69-46250	30	9
172A69-46251	30	9 -1
172A69-46270	30	10
172A69-57650	36	12
172A69-57660	36	14
172A69-61010	39	5
172A69-61020	39	6
172A69-61120	39	39
172A69-61150	39	14
172A69-61240	39	1
172A69-61280	39	3
172A69-61330	39	20
172A69-61490	47	1
172A69-61490-Y	47	1 -1
172A69-61500	41	1
172A69-61520	41	3
172A69-61560	41	6
172A69-61650	9	11
	37	3
172A69-61660	37	4
172A69-61780	38	9
172A69-61830	37	5
172A69-61830-Y	37	5 -1
172A69-62050	37	6
172A69-62130	45	1
172A69-62150	42	1
172A69-62160	42	2
172A69-62210	39	25
172A69-62280	45	4
172A69-62291	45	5
172A69-62310	45	6
172A69-62340	45	7

PARTS No. INDEX

PARTS No.	Fig.	Ref.No.
172A69-62410	45	2
172A69-62420	45	8
172A69-62430	45	21
172A69-62440	45	22
172A69-62450	45	23
172A69-62470	45	24
172A69-62510	45	9
172A69-62650	45	28
172A69-64100	43	1
172A69-64130	43	17
172A69-64160	49	16
172A69-64170	49	17
172A69-64630	44	10
172A69-64640	44	11
172A69-64680	44	13
172A69-64690	44	14
172A69-64720	44	16
172A69-64740	43	2
172A69-64760	39	26
172A69-64811	43	3
172A69-64990	39	40
172A69-65180	46	8
172A69-65190	46	9
172A69-65400	46	4 B
172A69-65530	45	29
172A69-65670	47	6
172A69-65721	88	31
172A69-65780	88	32
172A69-65871	48	5
172A69-65900	48	6
172A69-65900-Y	48	6 -1
172A69-65920	48	8
172A69-68000	50	1
172A69-68010	50	2
172A69-68050	51	1
172A69-68060	51	5
172A69-68070	51	6
172A69-68080	51	7
172A69-68090	51	8
172A69-68100	51	9
172A69-68110	51	10
172A69-68120	51	11
172A69-68130	51	12
172A69-68140	51	13
172A69-68150	51	14
172A69-68160	51	15
172A69-68170	51	16
172A69-68180	51	17
172A69-68190	51	18
172A69-68200	51	19

PARTS No.	Fig.	Ref.No.
172A69-68210	51	20
172A69-68220	51	21
172A69-68230	51	22
172A69-68250	52	1
172A69-68260	52	5
172A69-68270	52	6
172A69-68280	52	7
172A69-68290	52	8
172A69-68300	52	9
172A69-68310	52	10
172A69-68320	52	11
172A69-68330	52	12
172A69-68340	52	13
172A69-68350	52	14
172A69-68360	52	15
172A69-68370	52	16
172A69-68380	52	17
172A69-68390	52	18
172A69-68400	52	19
172A69-68410	52	20
172A69-68420	52	21
172A69-68430	52	22
172A69-68440	52	23
172A69-68450	52	24
172A69-68460	52	25
172A69-68470	52	26
172A69-68480	52	27
172A69-68490	52	28
172A69-68500	52	29
172A69-68510	52	30
172A69-68550	54	1
172A69-68560	54	2
172A69-68570	54	3
172A69-68580	54	4
172A69-68600	54	5
172A69-68610	54	7
172A69-68620	54	8
172A69-68630	54	9
172A69-68640	54	10
172A69-68650	54	11
172A69-68660	54	12
172A69-68710	55	6
172A69-68720	55	7
172A69-68730	55	8
172A69-68740	55	9
172A69-68750	55	11
172A69-68760	55	11 A
172A69-68770	55	12
172A69-68780	55	13
172A69-68790	55	14

PARTS No.	Fig.	Ref.No.
172A69-68800	55	15
172A69-68820	55	16
172A69-68850	57	2
172A69-68900	56	1
172A69-68910	56	5
172A69-68920	56	6
172A69-68930	56	7
172A69-68940	56	8
172A69-68950	57	5
172A69-68960	56	9
172A69-69010	53	4
172A69-69020	53	5
172A69-69030	53	6
172A69-69040	53	7
172A69-69050	53	8
172A69-69060	51	32
	53	9
172A69-69070	53	10
172A69-69080	53	11
172A69-69090	53	12
172A69-69100	53	13
172A69-69110	53	14
172A69-69130	53	15
172A69-69140	53	16
172A69-69150	53	17
172A69-69160	53	18
172A69-69170	53	19
172A69-69180	53	20
172A69-69190	53	21
172A69-69200	53	22
172A69-69260	51	33
172A69-69270	51	34
172A69-69290	51	35
172A69-69300	51	36
172A69-69310	51	37
172A69-69330	51	38
172A69-69340	51	39
172A69-69350	51	40
172A69-69360	51	41
172A69-69370	51	42
172A69-69380	51	43
172A69-69390	51	44
172A69-69400	51	45
172A69-69460	55	22
172A69-69461	55	22 -1
172A69-69470	55	17
		23
172A69-69480	55	24
172A69-69481	55	24 -1
172A69-69490	55	25

PARTS No.	Fig.	Ref.No.
172A69-69491	55	25 -1
172A69-69500	55	26
172A69-69560	50	7
172A69-69570	50	8
172A69-69580	50	9
172A69-69590	50	10
172A69-69600	50	11
172A69-69610	50	12
172A69-69620	50	13
172A69-69630	50	14
172A69-69640	50	15
172A69-69650	50	16
172A69-69660	50	17
172A69-69670	50	31
172A69-69680	50	18
172A69-69690	50	19
172A69-69720	50	20
172A69-69721	50	20 -1
172A69-69730	50	21
172A69-69740	50	22
172A69-69750	50	23
172A69-69760	50	24
172A69-69770	50	25
172A69-69780	50	26
172A69-69790	50	27
172A69-69800	50	28
172A69-69810	58	3
172A69-69810-Y	58	3 -1
172A69-69880	58	4
172A69-69881	58	4 -1
172A69-69910	57	9
172A69-69930	57	10
172A69-71110	77	23
172A69-71120	77	24
172A69-71130	77	1
172A69-71140	77	2
172A69-71190	78	16
172A69-71230	79	17
172A69-71240	79	18
172A69-71250	79	1
172A69-71260	72	2
172A69-71300	86	2
172A69-71310	86	3
172A69-71320	86	4
172A69-71340	86	6
172A69-71350	86	7
172A69-71360	86	8
172A69-71370	86	9
172A69-71380	86	12
172A69-71390	86	13

PARTS No. INDEX

PARTS No.	Fig.	Ref.No.
172A69-71400	86	14
172A69-71550	60	1
172A69-71560	60	2
172A69-71600	60	3
172A69-71750	80	1
172A69-72450	62	21
172A69-72460	62	23
172A69-72470	62	25
172A69-72480	62	5
172A69-72490	62	8
172A69-72680	98	25
172A69-72700	64	1
172A69-72710	64	28
172A69-72750	64	32
172A69-72800	65	1
172A69-72810	65	20
172A69-72850	65	24
172A69-72900	65	32
172A69-73130	59	54
172A69-73140	59	61
172A69-73310	68	1
172A69-73320	68	20
172A69-73330	68	54
172A69-73340	68	47
172A69-73350	68	55
172A69-73360	68	58
172A69-73370	68	18
172A69-73380	68	59
172A69-73390	68	60
172A69-73830	67	16
172A69-73850	67	7
172A69-74050	99	9
172A69-74070	99	14
172A69-74110	72	4
172A69-74140	75	4
172A69-74150	75	6
172A69-74160	75	7
172A69-74170	72	8
172A69-74180	72	9
172A69-74250	75	17
	76	6
	79	22
172A69-74280	76	16
172A69-74290	77	21
172A69-74291	77	21 -1
172A69-74300	77	22
172A69-74301	77	22 -1
172A69-74310	81	1
172A69-74410	83	1
172A69-74411	83	1 -1

PARTS No.	Fig.	Ref.No.
172A69-74420	83	2
172A69-74430	83	3
172A69-74440	83	4
172A69-74450	83	5
172A69-74460	83	6
172A69-74470	83	7
172A69-74490	83	8
172A69-74500	83	9
172A69-74510	83	10
172A69-74520	83	10 -1
172A69-74540	83	9 -1
172A69-74550	84	1
172A69-74560	84	2
172A69-74590	84	3
172A69-74650	89	1
	90	1
172A69-74660	89	11
	90	11
172A69-74670	81	2
	87	1
172A69-74680	81	3
	87	2
172A69-74730	86	15
172A69-74740	86	16
172A69-74750	86	17
172A69-74770	86	21
172A69-74780	86	22
172A69-74850	85	2
172A69-74860	85	10
172A69-74900	85	11
172A69-74910	85	19
172A69-74960	83	20 A
172A69-74970	83	20 B
172A69-74980	83	8 -1
172A69-74990	83	20 C
172A69-75240	88	11
172A69-75450	88	13
172A69-75470	88	15
172A69-75600	88	17
172A69-75710	88	6
172A69-76050	94	14 A
172A69-76060	94	14 B
172A69-76070	94	14 C
172A69-76120	91	5
172A69-76140	93	8
172A69-76150	94	14
172A69-76160	91	10
172A69-76190	91	12
172A69-76200	98	2
172A69-76200-Y	98	2 -1

PARTS No.	Fig.	Ref.No.
172A69-76270	98	4
172A69-76270-Y	98	4 -1
172A69-76300	100	1
172A69-76300-Y	100	1 -1
172A69-76320	100	2
172A69-76320-Y	100	2 -1
172A69-76420	98	6
172A69-76420-Y	98	6 -1
172A69-76430	98	7
172A69-76430-Y	98	7 -1
172A69-76450	98	8
172A69-76460	98	9
172A69-76460-Y	98	9 -1
172A69-76510	101	6
172A69-76510-Y	101	6 -1
172A69-76600	101	8
172A69-76600-Y	101	8 -1
172A69-76620	101	9
172A69-76620-Y	101	9 -1
172A69-76640	101	10
172A69-76640-Y	101	10 -1
172A69-76660	101	11
172A69-76660-Y	101	11 -1
172A69-76680	60	7
172A69-76720	60	9
172A69-77100	89	28
172A69-77100-N	89	28 -1
172A69-77180	89	30
172A69-77180-N	89	30 -1
172A69-77200	89	31
172A69-77200-N	89	31 -1
172A69-77240	89	32
	98	21
172A69-77300	90	21
172A69-77300-N	90	21 -1
172A69-77350	90	22
172A69-77350-N	90	22 -1
172A69-77400	90	24
172A69-77400-N	90	24 -1
172A69-77480	102	3
172A69-77480-Y	102	3 -1
172A69-77500	102	4
172A69-77500-Y	102	4 -1
172A69-78081	92	3
172A69-78110	92	4
172A69-78120	92	5
172A69-78190	103	2
172A69-78220	95	5
172A69-78230	93	25
172A69-78250	93	26

PARTS No.	Fig.	Ref.No.
172A69-78261	93	27
		28
172A69-78270	93	29
172A69-78280	98	27
172A69-78320	95	8
172A69-78330	95	9
172A69-78340	96	6
172A69-78350	96	7
172A69-78360	96	8
172A69-78370	103	3
172A69-78450	96	9
172A69-78460	96	10
172A69-78470	95	12
172A69-78480	95	13
172A69-78510	97	14
172A69-78520	97	15
172A69-78530	97	17
172A69-78540	97	18
172A69-78591	101	20
172A69-78620	101	23
172A69-78630	105	2
172A69-78650	105	3
172A69-78660	105	4
172A69-78670	101	24
172A69-78680	98	31
172A69-78700	105	5
172A69-78710	105	6
172A69-78720	105	7
172A69-78730	105	8
172A69-78740	105	9
172A69-78750	105	10
172A69-78760	105	11
172A69-78770	105	12
172A69-78780	105	13
172A69-78790	105	14
172A69-78800	105	15
172A69-78810	105	16
172A69-78820	105	17
172A69-78830	105	18
172A69-78840	105	19
172A69-78850	105	20
172A69-78860	103	4
172A69-78870	103	5
172A69-78880	103	6
172A69-78890	103	7
172A69-78900	96	11
172A69-78910	103	8
172A69-78920	103	9
172A69-78930	103	10
172A69-78940	103	11

PARTS No. INDEX

PARTS No.	Fig.	Ref.No.
172A69-78950	103	12
172A69-78960	103	13
172A69-78970	106	1
172A69-78980	103	14
172A69-78990	103	15
172A69-79200	101	25
	102	7
172A69-79210	101	26
	102	8
172A69-79220	101	27
	102	9
172A69-79250	101	31
172A69-79250-Y	101	31 -1
172A69-79400	103	16
172A69-79410	103	17
172A69-79420	103	18
172A69-79430	103	19
172A69-79440	103	20
172A69-79450	103	21
172A69-79460	103	22
172A69-79470	103	23
172A69-79481	103	24
172A69-79490	106	2
172A69-79501	103	25
172A69-79511	103	26
172A69-79520	103	27
172A69-79530	103	28
172A69-79540	107	1
172A69-79550	107	2
172A69-79560	107	3
172A69-79570	107	4
172A69-79690	102	10
172A69-79700	102	11
172A69-79711	102	12
172A69-79720	102	13
172A69-79730	102	14
172A69-79740	102	15
172A69-79750	102	16
172A69-79800	104	2
172A69-79810	104	3
172A69-79820	104	4
172A69-79830	104	5
172A69-79840	104	6
172A69-79850	104	7
172A69-79860	104	8
172A69-79870	104	9
172A69-79890	98	32
172A69-82370	64	43
172A77-17250	21	10
172A77-46050	30	1 -1

PARTS No.	Fig.	Ref.No.
172A78-14220	11	25
172A78-64510	85	1
172A86-74500	94	1
172A89-03010	1	1
172A89-03011	1	1 -1
172A89-03050	116	1
172A89-03100	1	6
172A89-03110	1	7
172A89-03120	1	8
172A89-03140	1	2
172A89-03360	1	56
	2	25
	50	33 A
172A89-03400	116	22
172A89-03410	116	25
172A89-03420	116	27
172A89-03440	116	30
172A89-03500	1	68
	46	4 A
172A89-08900	117	8
172A89-11300	3	1
172A89-11510	4	9
	5	7
172A89-11540	4	8
	5	6
172A89-13150	7	6
172A89-13200	7	10
172A89-13300	8	6
172A89-13310	8	7
172A89-13320	8	9
172A89-13330	8	10
172A89-13340	8	11
172A89-13350	8	12
172A89-13360	8	13
172A89-13370	8	14
172A89-13400	9	1
172A89-13500	8	15
172A89-13550	8	17
172A89-13560	8	18
172A89-13570	8	21
172A89-13580	8	22
172A89-13600	9	4
172A89-13680	9	7
172A89-13690	9	8
172A89-13700	9	9
172A89-13730	9	10
172A89-13750	9	12
172A89-13800	8	23
172A89-13810	8	24
172A89-13820	8	25

PARTS No.	Fig.	Ref.No.
172A89-13830	9	15
172A89-13840	9	16
172A89-13860	9	17
172A89-14380	11	39
172A89-14610	12	9
172A89-14630	12	13
172A89-16420	22	1
172A89-16440	20	2
172A89-16500	13	5
172A89-16550	19	3
172A89-16600	23	1
172A89-16750	13	22
172A89-16770	13	23
172A89-16790	13	24
172A89-16800	13	25
172A89-16810	22	2
172A89-16870	22	3
172A89-17090	19	16
172A89-17150	18	17
172A89-17180	19	20
172A89-17500	19	42
172A89-17810	25	7
172A89-17840	25	10
172A89-18110	25	14
172A89-18150	25	19
172A89-18440	26	10
172A89-18580	26	14
172A89-19100	23	34
172A89-19610	26	19
172A89-19670	26	20
172A89-19680	26	22
172A89-19690	26	12
172A89-19710	23	30
172A89-19800	24	11
172A89-19820	24	13
172A89-19830	24	14
172A89-29100	27	1
172A89-37500	27	16
172A89-37530	27	21
172A89-38100	29	1
172A89-38110	29	14
172A89-38120	29	2
		15
172A89-38130	29	11
172A89-38140	29	24
172A89-38160	29	12
		25
172A89-38170	29	13
		26
172A89-38180	29	3

PARTS No.	Fig.	Ref.No.
172A89-38180	29	16
172A89-38190	29	4
		17
172A89-38220	29	5
		18
172A89-38230	29	6
		19
172A89-38240	29	7
		20
172A89-38250	29	8
		21
172A89-38260	29	9
		22
172A89-38280	29	10
		23
172A89-50100	35	1
172A89-53310	36	1
172A89-53320	117	2
172A89-54100	36	5
172A89-54500	36	7
172A89-57600	36	9
172A89-57620	36	11
172A89-61010	39	7
172A89-61020	39	9
172A89-61030	39	10
172A89-61060	39	11
172A89-61080	39	37
172A89-61130	39	12
172A89-61150	39	16
172A89-61180	39	19
172A89-61220	39	15
172A89-61350	41	18
172A89-61420	39	22
172A89-61440	39	24
172A89-61470	41	22
172A89-61500	41	20
172A89-61510	41	2
172A89-61520	41	3 -1
172A89-61530	41	4
172A89-61540	40	3
172A89-61550	41	5
172A89-61570	41	7
172A89-61580	41	8
172A89-61600	37	1
172A89-61600-Y	37	1 -1
172A89-61680	38	2
172A89-61680-Y	38	2 -1
172A89-61720	38	5
172A89-61730	38	6
172A89-61740	38	7

PARTS No. INDEX

PARTS No.	Fig.	Ref.No.
172A89-61740-Y	38	7 -1
172A89-61790	38	10
172A89-61800	38	11
172A89-61880	38	12
172A89-61900	38	13
172A89-61980	38	16
172A89-62550	88	28
172A89-62570	88	29
172A89-62610	88	30
172A89-64200	44	1
172A89-64610	44	8
172A89-64620	44	9
172A89-64650	44	12
172A89-64700	44	15
172A89-65100	46	4
172A89-65160	46	6
172A89-65170	46	7
172A89-65200	49	1
172A89-65230	46	12
172A89-65600	47	2
172A89-65600-Y	47	2 -1
172A89-65630	47	5
172A89-65660	49	2
172A89-65800	48	1
172A89-65800-Y	48	1 -1
172A89-65850	48	3
172A89-65860	48	4
172A89-65950	49	3
172A89-67100	49	4
172A89-67360	49	7
172A89-67390	49	8
172A89-67450	49	6
172A89-68780	55	13 -1
172A89-72100	61	3
172A89-72100-N	61	3 -1
172A89-72110	61	7
172A89-72110-N	61	7 -1
172A89-72200	61	17
172A89-72250	61	22
172A89-72250-N	61	22 -1
172A89-72270	98	19
172A89-72270-N	98	19 -1
172A89-72300	62	1
172A89-72300-N	62	1 -1
172A89-72310	62	3
172A89-72310-N	62	3 -1
172A89-72330	62	6
172A89-72350	62	9
172A89-72360	62	10
172A89-72370	62	11

PARTS No.	Fig.	Ref.No.
172A89-72380	62	12
172A89-72440	62	20
172A89-72450	62	22
172A89-72460	62	24
172A89-72470	62	26
172A89-72480	62	27
172A89-72490	62	28
172A89-72500	63	1
172A89-72500-N	63	1 -1
172A89-72501-Y	63	1 -2
172A89-72510	63	4
172A89-72510-N	63	4 -1
172A89-72560	63	8
172A89-72560-N	63	8 -1
172A89-72561-Y	63	8 -2
172A89-72600	63	10
172A89-72650	63	14
172A89-72700	63	18
172A89-72710	63	23
172A89-72750	62	29
172A89-72900	61	23
172A89-72910	61	29
172A89-72960	61	43
172A89-72960-N	61	43 -1
172A89-73100	59	6
172A89-73101	59	6 -1
172A89-73130	59	66
172A89-73150	59	78
172A89-73160	59	79
172A89-73170	59	80
172A89-73180	59	81
172A89-73190	59	17 -1
172A89-73300	67	1
172A89-73310	67	3
172A89-73320	67	4
172A89-73340	67	9
172A89-73900	120	1
172A89-74100	72	1
172A89-74101	72	1 -1
172A89-74102	72	1 -2
172A89-74120	75	1
172A89-74130	75	2
172A89-74140	73	1
172A89-74141	73	1 -1
172A89-74150	73	2
	74	2
	76	14
	78	2
172A89-74160	73	4
172A89-74161	73	4 -1

PARTS No.	Fig.	Ref.No.
172A89-74180	74	1
172A89-74190	74	4
172A89-74200	74	6
172A89-74210	75	13
172A89-74220	76	1
172A89-74230	76	13
172A89-74240	78	1
172A89-74260	78	4
172A89-74270	79	4
172A89-74280	78	15
172A89-74290	78	30
172A89-74300	79	16
172A89-74310	79	28
172A89-74330	78	14 A
172A89-74700	86	1
172A89-74710	86	5
172A89-74720	86	23
172A89-74730	86	19
172A89-76110	91	2
172A89-76120	91	3
172A89-76130	91	7
172A89-76150	60	5
172A89-76160	60	6
172A89-76170	95	1 -1
172A89-76250	98	3
172A89-76250-Y	98	3 -1
172A89-76310	93	14
172A89-76400	98	5
172A89-76470	92	1
172A89-77150	89	29
172A89-77150-N	89	29 -1
172A89-77800	108	2
172A89-77810	108	3
172A89-77820	108	11
172A89-78130	91	24
172A89-78150	91	25
172A89-78160	91	26
172A89-78170	91	27
172A89-78180	91	28
172A89-78200	91	29
172A89-78210	91	30
172A89-78240	91	31
172A89-78300	95	6
172A89-78310	95	7
172A89-78380	92	6
172A89-78390	92	7
172A89-78400	99	24
172A89-78410	99	26
172A89-78420	99	27
172A89-78430	95	10

PARTS No.	Fig.	Ref.No.
172A89-78440	95	11
172A89-78490	99	28
172A89-78550	98	29
172A89-78570	98	30
172A89-78600	101	21
172A89-78610	101	22
172A89-79100	95	16
172A89-79100-Y	95	16 -1
172A89-79140	95	18
		20
172A89-79150	95	19
172A89-79150-Y	95	19 -1
172A89-79620	101	28
172A89-81100	110	2
172A89-81100-Y	110	2 -1
172A89-81470	111	3
172A89-81470-Y	111	3 -1
172A89-81810	61	47
172A89-82300	109	1
172A89-82300-Y	109	1 -1
172A89-82320	109	3
172A89-94100	115	4
172B11-50100	35	1 -1
172B11-72900	65	32 -1
172B11-73600	69	1 -1
172B11-73630	69	2 -1
184014-59450	8	32
184015-44680	8	26
184015-59130	8	28
184016-55700	12	26
184016-55701	12	26 -1
194145-04810	11	34
	61	4
	63	2
194151-57100	14	6
194202-56460	12	31
		45
	13	26
	14	5
	19	26
	22	5
	25	43
	101	17
	102	6
	103	1
	104	1
	108	9
194464-52190	19	24
194630-15520	12	21
194630-42120	27	22

MODEL : VIO80(US,AS,NZ)
 PC NO : 0CS10-G55700

PARTS No. INDEX

PARTS No.	Fig.	Ref.No.
198072-17440	28	19
198153-51700	13	11
198200-04031	11	4
198200-04040	11	5
198220-61480	9	18
198461-52950	17	1
	19	25
1A1380-62160	46	1
1A6260-64200	23	38
	42	15
1A7030-87411	23	39
1A7030-88660	24	19
1A7400-61250	88	27
1A7470-87320	23	6
		10
1D4070-23580	30	1
1D4180-22850	120	2
1E3030-78370	93	31
	94	49
1E6212-82820	102	17
1E8080-83320	15	4
1E8545-80210	24	17
1E8545-80250	24	18
1E8775-84120	13	29
	14	7
	18	20
	19	45
	20	1
1W3855-50160	58	1
41851-000110	22	11
	80	24
	81	23
		26
		29
	82	14
		15
	83	25
		30
	84	9
		15
	85	25
	86	36
		38
		40
	87	27
	89	21
	90	30
	91	21
	93	15
		22

PARTS No.	Fig.	Ref.No.
41851-000110	94	3
		20
		22
		24
		30
		33
		45
	97	9
	99	7
		8
	120	6
		17
41851-000140	83	31
	89	40
	91	13
	93	9
	97	10
	120	13
		18
		19
41851-000180	62	38
	70	9
	90	31
	91	22
	93	23
	94	15
		46
	97	11
	99	3
41851-000240	91	4
	94	47
	99	23
772162-37770	28	18
772478-37101-2	28	2
772478-37120-1	28	1
772A69-14100	11	1
772A69-75100	88	1
933110-00301	16	7
933147-03400	61	56
933147-08501	117	7
933160-01370	91	23
	94	48
933168-14170	61	57
933171-13691	27	13
	28	13
933172-14120	49	24

PARTS No.	Fig.	Ref.No.
-----------	------	---------

PARTS No.	Fig.	Ref.No.
-----------	------	---------